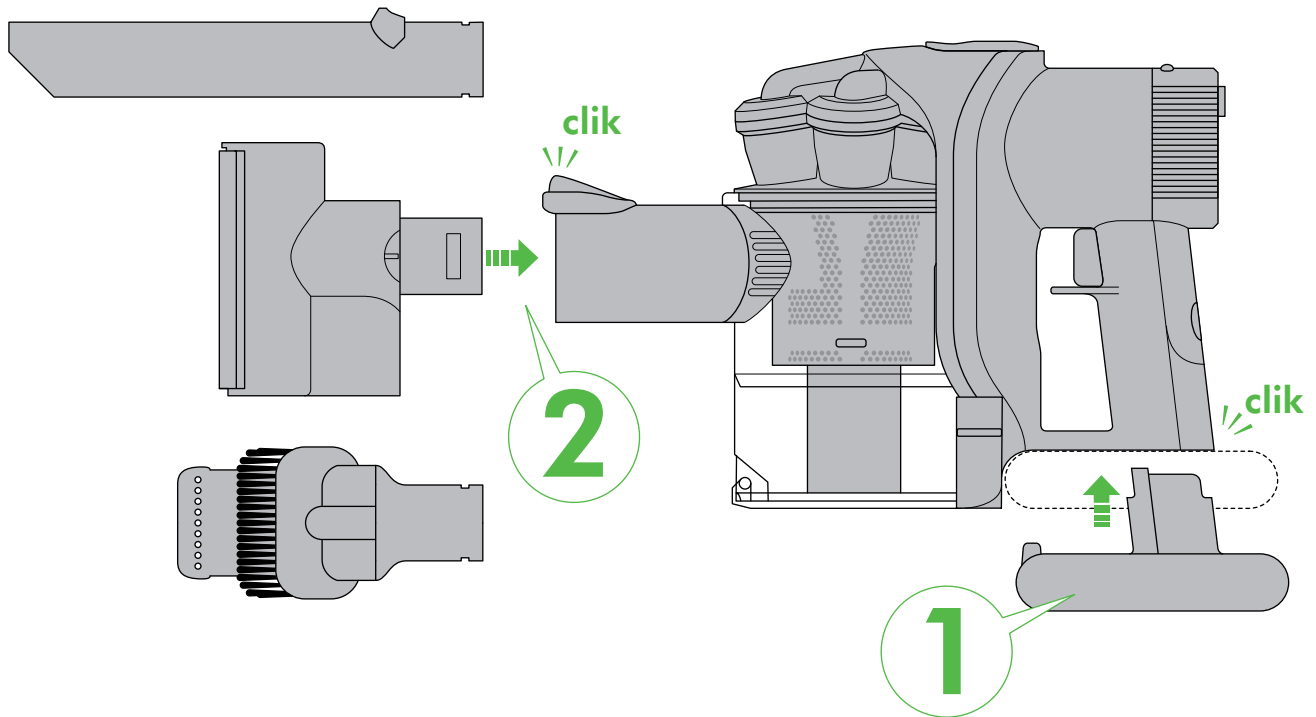


ASSEMBLY • ARMADO



WASH FILTER

Wash filter with cold water at least every month.

LAVE EL FILTRO

Lave el filtro con agua fría al menos cada mes.

REGISTER TODAY

Register your free 2 year warranty today

REGISTRE HOY

Registre hoy su garantía de 2 años



IMPORTANT SAFETY INSTRUCTIONS

READ ALL INSTRUCTIONS BEFORE USING THIS APPLIANCE

When using an electrical appliance, basic precautions should always be followed, including the following:

WARNING

TO REDUCE THE RISK OF FIRE, ELECTRIC SHOCK, OR INJURY:

1. Do not charge the Dyson handheld vacuum outdoors, in a bathroom or within 10 feet of a pool.
2. Do not use outdoors or on wet surfaces.
3. Do not allow to be used as a toy. Close attention is necessary when used by or near children.
4. Use only as described in this Operating Manual. Use only Dyson recommended attachments.
5. Do not use with damaged cord or plug. If the Dyson handheld vacuum is not working as it should, has been dropped, damaged, left outdoors, or dropped into water, contact the Dyson Helpline.
6. Do not unplug by pulling on cord. To unplug, grasp the charger, not the cord.
7. Do not handle charger, including the charger plug and charger terminals with wet hands.
8. Do not put any object into openings. Do not use with any opening blocked; keep free of dust, lint, hair, and anything that may reduce air flow.
9. Keep hair, loose clothing, fingers, and all parts of body away from openings and moving parts.
10. Use extra care when cleaning on stairs.
11. Do not use to pick up flammable or combustible liquids, such as gasoline, or use in areas where they may be present.
12. Do not pick up anything that is burning or smoking, such as cigarettes, matches, or hot ashes.
13. Do not use without clear bin and filter in place.
14. Use only the charger supplied with the Dyson handheld vacuum to recharge.
15. Unplug the charger from outlet before maintenance.
16. Do not use with an extension cord.
17. This Dyson handheld vacuum is not intended for use by persons (including children) with reduced physical, sensory or mental capabilities, or lack of experience and knowledge, unless they have been given supervision or instruction concerning use of the Dyson handheld vacuum by a person responsible for their safety.
18. Do not incinerate the Dyson handheld vacuum even if it is severely damaged. The batteries may explode in a fire.
19. Always turn off the Dyson handheld vacuum before connecting or disconnecting the motorized brush bar.
20. Take caution not to engage battery release button during normal operation.

SAVE THESE INSTRUCTIONS

THIS HANDHELD VACUUM IS INTENDED FOR HOUSEHOLD USE ONLY.

POLARIZATION INSTRUCTIONS

To reduce the risk of electric shock, this Dyson handheld vacuum has a polarized plug (one blade is wider than the other). This plug will fit in a polarized outlet only one way. If the plug does not fit fully in the outlet, reverse the plug. If it still does not fit, contact a qualified electrician to install a proper outlet. Do not change the plug in any way.



Do not use near open flame.



Do not store near heat source.



Do not pick up water or liquids.



Do not pick up burning objects.



No la use cerca de una flama abierta



No la almacene cerca de una fuente de calor.



No aspire agua o líquidos.



No aspire objetos que se estén quemando.

PRECAUCIONES DE SEGURIDAD IMPORTANTES

LEA TODAS LAS INSTRUCCIONES ANTES DE USAR ESTE APARATO

Deben tomarse precauciones básicas al usar un aparato eléctrico, incluidas las siguientes:

ADVERTENCIA

PARA REDUCIR EL RIESGO DE UN INCENDIO, DESCARGA ELÉCTRICA O LESIÓN:

1. No cargue la unidad al aire libre, en un baño o a menos de 10 pies de una piscina.
2. No utilice el aparato al aire libre ni sobre superficies húmedas.
3. No permita que el aparato sea utilizado como un juguete. Preste mucha atención si es utilizado por niños o cerca de ellos.
4. Utilice el aparato sólo como se describe en este manual. Utilice solamente los accesorios Dyson recomendados.
5. No utilice el aparato si el cable o el enchufe están dañados. Si el aparato no funciona como debería, si se cayó, fue dañado, dejado al aire libre o sumergido en el agua, comuníquese con la línea de ayuda de Dyson.
6. No desconecte el aparato tirando del cable. Para desconectar, tome el enchufe y no el cable.
7. No manipule el cargador, el enchufe del cargador y los terminales del cargador si tiene las manos mojadas.
8. No obstruya las aberturas del aparato con ningún objeto. No utilice el aparato si tiene alguna abertura obstruida. Mantenga las aberturas libres de polvo, pelusas, cabellos y cualquier otra cosa que pueda reducir la circulación del aire.
9. Mantenga los cabellos, la ropa suelta, los dedos y cualquier otra parte del cuerpo alejados de las aberturas y las partes móviles.
10. Tenga mucho cuidado cuando utilice la aspiradora sobre una escalera.
11. No aspire líquidos inflamables o combustibles como gasolina, ni utilice el producto en áreas donde pueda haber este tipo de sustancias.
12. No aspire nada que se esté quemando o que emita humo, como cigarrillos, fósforos o cenizas calientes.
13. No utilice la aspiradora si el cubo transparente y los filtros no están correctamente en su lugar.
14. Sólo use el cargador suministrado con el producto para recargarlo.
15. Desenchufe el cargador del tomacorriente antes de realizar el mantenimiento.
16. No use la unidad con un cable de prolongación.
17. Esta aspiradora portátil Dyson no está destinada para el uso por personas (incluso niños) con capacidades físicas, cognitivas o mentales reducidas, o con falta de experiencia y conocimiento, salvo que hubieran recibido supervisión o instrucciones acerca del uso de este aparato por parte de una persona responsable por su seguridad.
18. No queme el aparato, ni siquiera si está muy dañado. El fuego podría hacer explotar las baterías.
19. Siempre apague la aspiradora portátil Dyson antes de conectar o desconectar la barra de cepillo motorizada.
20. Tenga cuidado de no presionar el botón de apertura de la batería durante el funcionamiento normal.

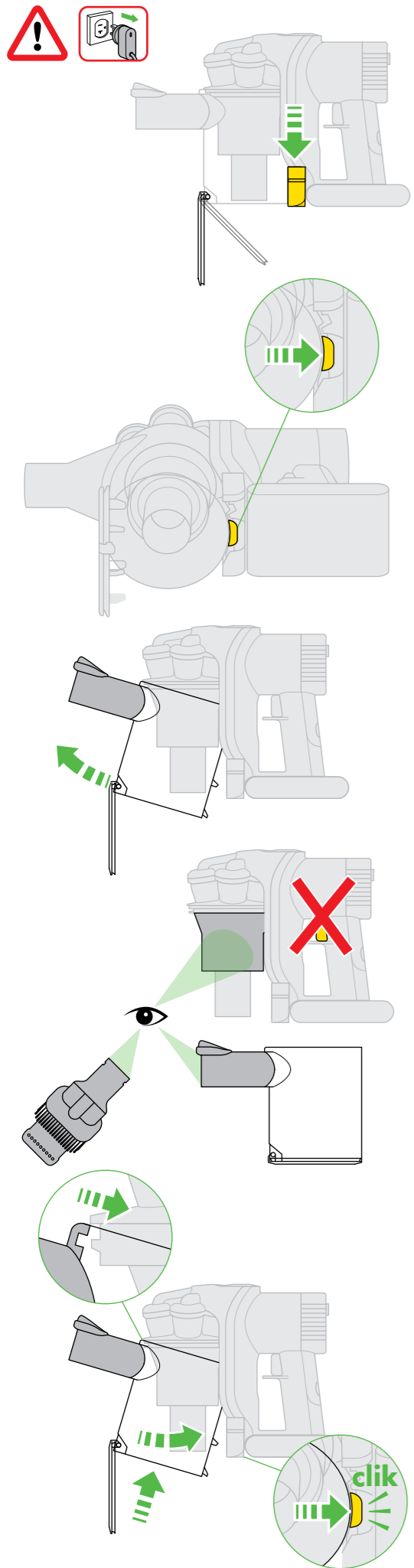
GUARDE ESTAS INSTRUCCIONES

ESTE APARATO ES PARA USO DOMÉSTICO SOLAMENTE.

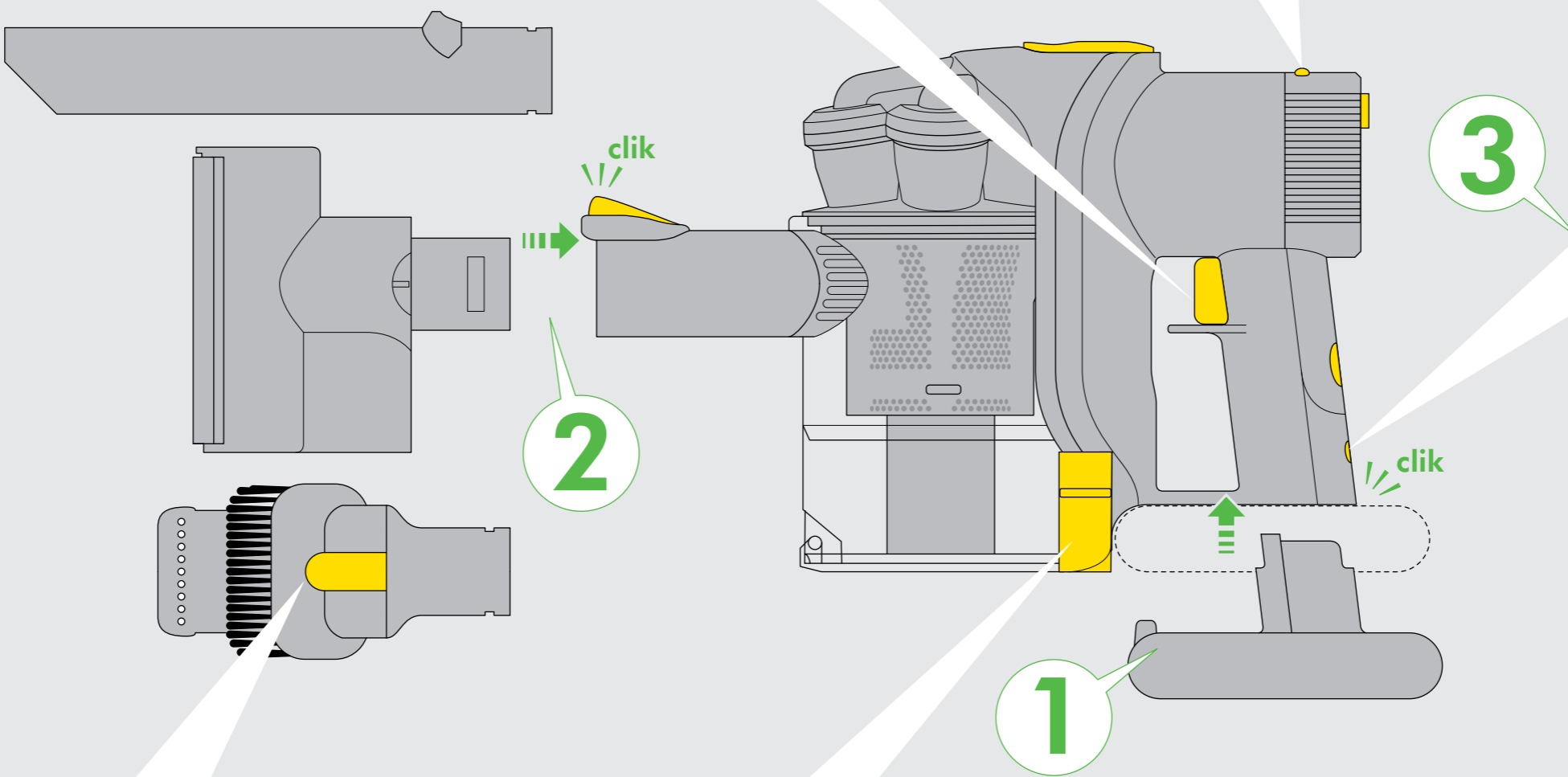
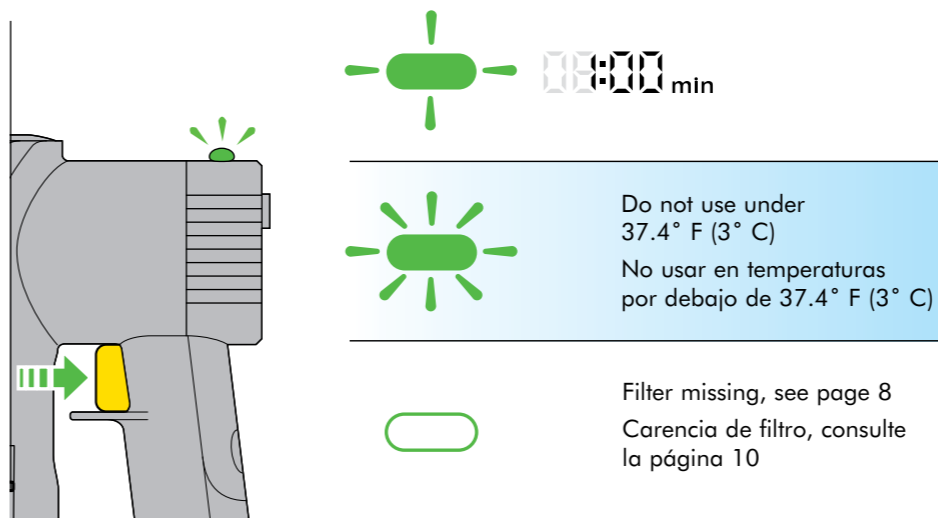
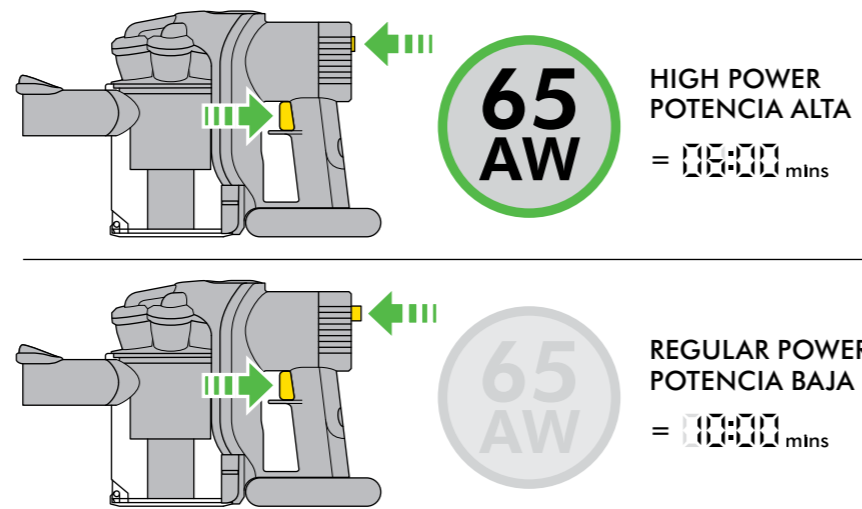
INSTRUCCIONES RESPECTO A LA POLARIZACIÓN

Para disminuir el riesgo de choque eléctrico, este aparato lleva un enchufe polarizado (una clavija es más ancha que la otra). Este enchufe se conecta a una toma de corriente polarizada de una sola forma. Si el enchufe no entra totalmente en la toma de corriente, dé la vuelta al enchufe. Si sigue sin entrar bien, póngase en contacto con un electricista calificado para instalar una toma de corriente correcta. No cambie el enchufe de ninguna manera.

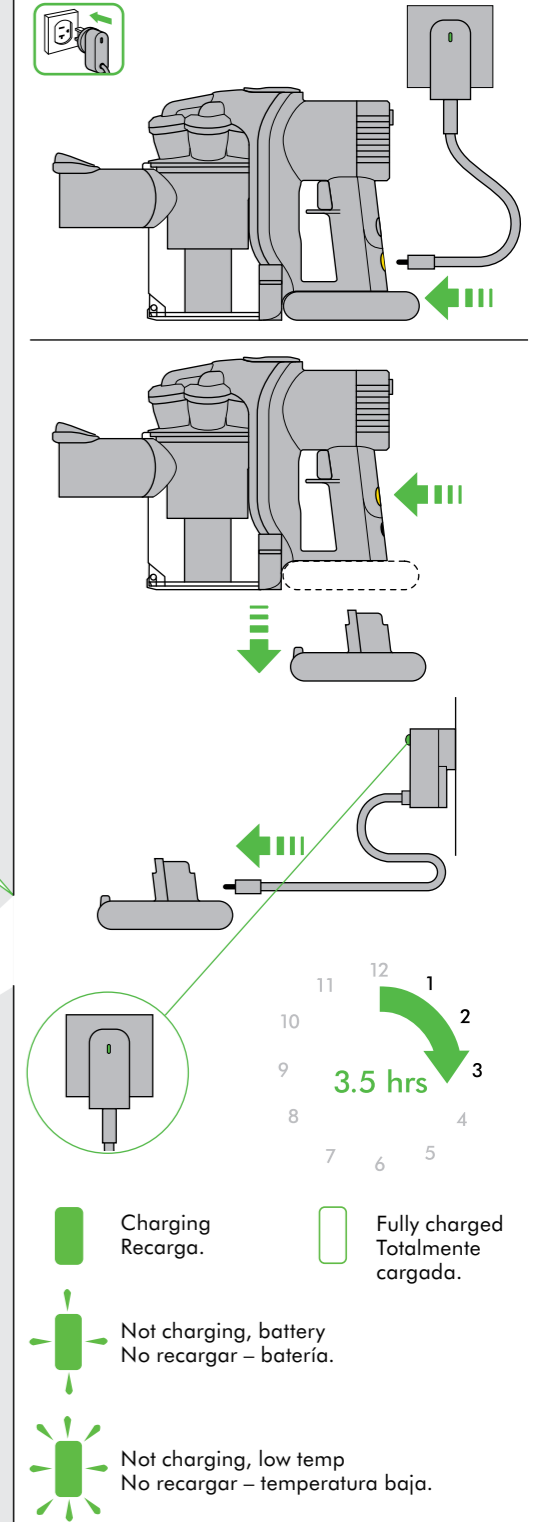
Looking for blockages • Cómo buscar obstrucciones



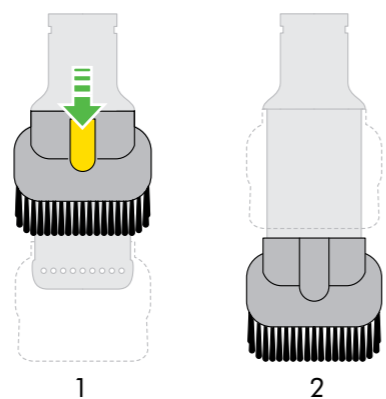
Power • Potencia



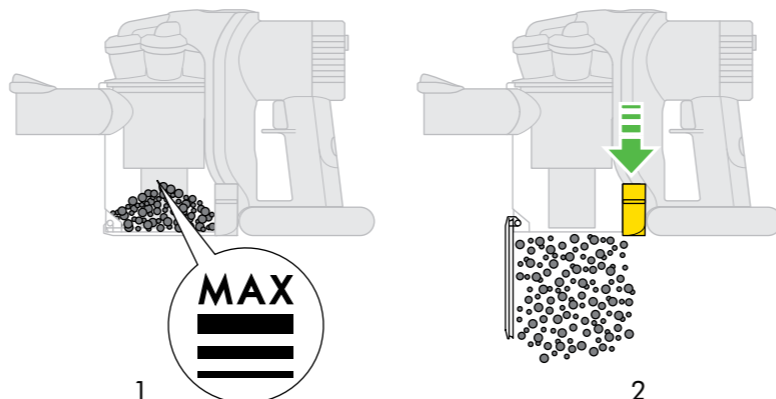
Charging • Carga de energía



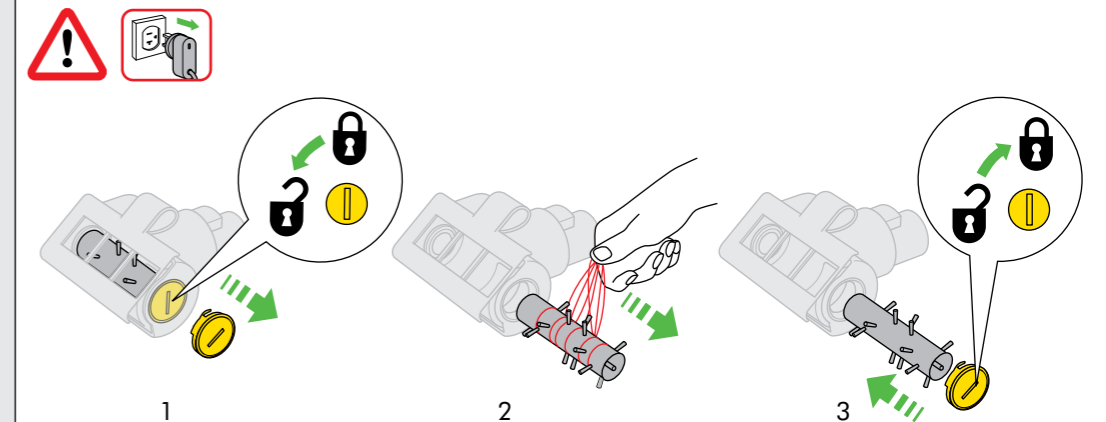
Combination accessory tool • Combinación de accesorio



Emptying the clear bin • Cómo vaciar el compartimiento cubo transparente

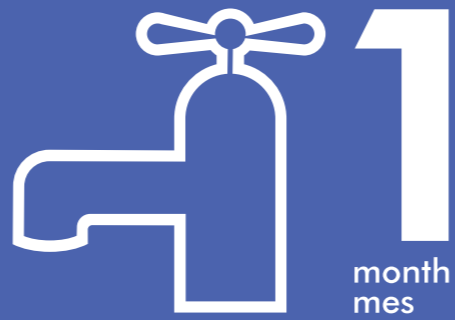


Motorized brush bar maintenance • Mantenimiento de la barra del cepillo motorizado

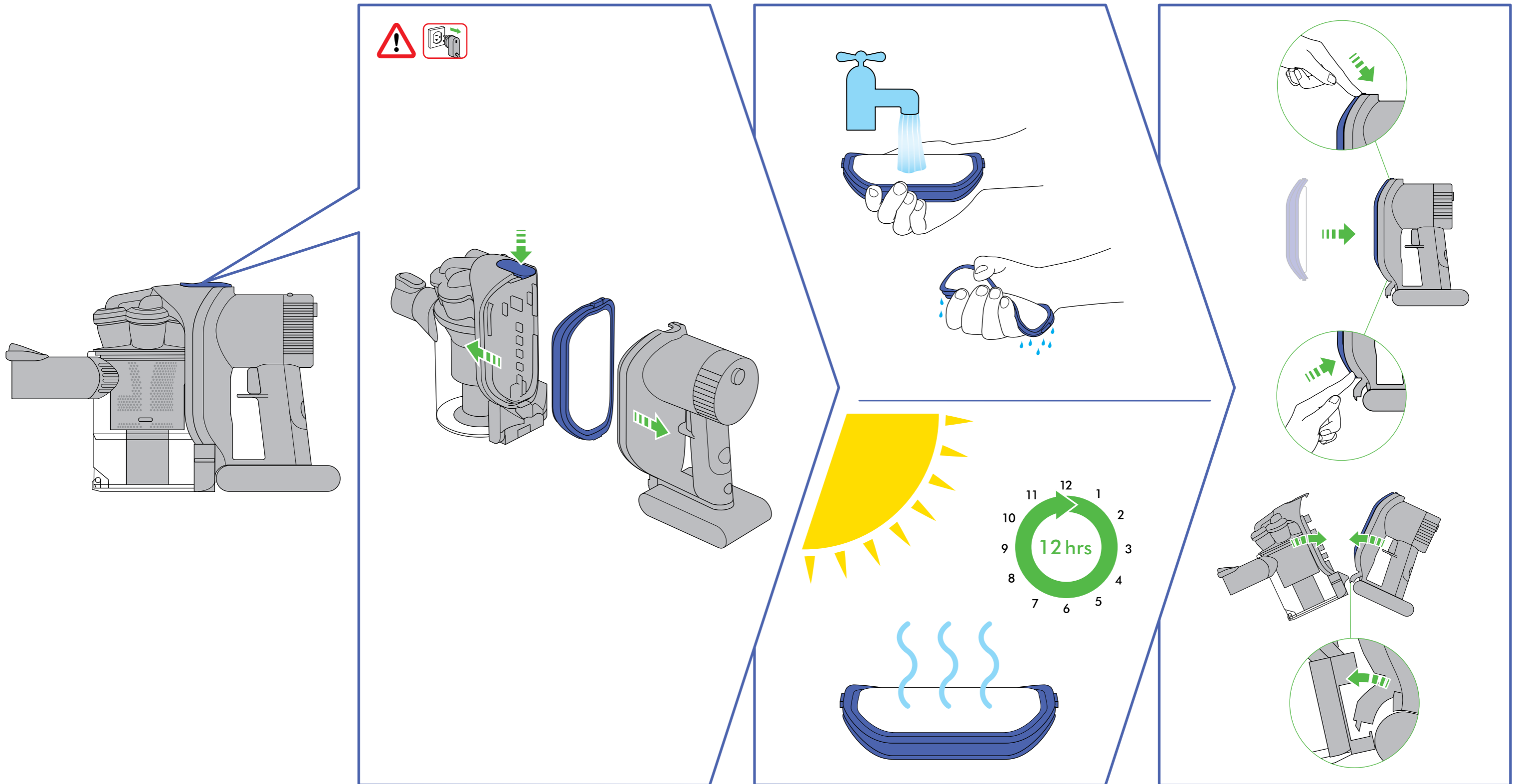


IMPORTANT! ¡IMPORTANTE!

WASH FILTER
LAVE EL FILTRO



Wash filter with cold water at least every month.
Lave el filtro con agua fría al menos cada mes.



USING YOUR DYSON HANDHELD VACUUM

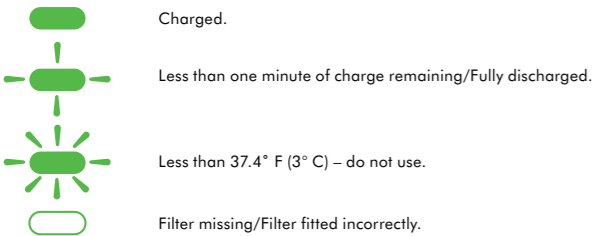
⚠ CAUTION:

- Take caution not to engage battery release button during normal operation.
- Dirt and debris may be released from the Dyson handheld vacuum if it is turned upside down. Ensure the Dyson handheld vacuum remains upright in use and storage.
- Do not operate the Dyson handheld vacuum while checking for blockages.

PLEASE NOTE:

- Do not carry out any maintenance or repair work other than that shown in this Operating Manual or advised by the Dyson Helpline.
- This Dyson handheld vacuum is designed for domestic indoor and car use only. Do not use it whilst the car is in motion or while driving.
- Do not press down on the nozzle with excessive force when using the Dyson handheld vacuum as this may cause damage.
- If the motor overheats, the Dyson handheld vacuum will cut out automatically. Leave it to cool for at least an hour and check for blockages before restarting.
- Fine dirt such as flour or plaster dust should only be vacuumed in very small amounts.
- The brush bar on the handheld vacuum can damage certain carpet types and floors. If unsure turn the brush bar off in order to enable proper operation. Some carpets will fuzz if a rotating brush bar is used when vacuuming. If this happens, we recommend vacuuming with the brush bar switched off and consulting with your flooring manufacturer.

TROUBLESHOOTING – DYSON HANDHELD VACUUM



EMPTYING THE CLEAR BIN

⚠ CAUTION:

- Switch off Dyson handheld vacuum and disconnect from charger before emptying the clear bin.

PLEASE NOTE :

- Empty as soon as the dirt reaches the level of the MAX mark – do not overfill. To release the dirt, push the button at the side of the clear bin as shown.
- Do not use the Dyson handheld vacuum without the clear bin in place.

CLEANING THE CLEAR BIN

⚠ CAUTION:

- Ensure the clear bin is completely dry before replacing.

PLEASE NOTE :

- To remove the clear bin, push the release button on the underside of the Dyson handheld vacuum as shown, see page 5.
- Use only cold water to clean the clear bin. Do not use detergents, polishes or air fresheners.
- Do not put the clear bin in a dishwasher.

WASHING YOUR FILTER

⚠ CAUTION:

- Switch 'OFF' and disconnect from charger before removing the filter.
- Ensure filter is completely dry before refitting to Dyson handheld vacuum.

PLEASE NOTE :

- This Dyson handheld vacuum has one filter, located as shown, see pages 6 and 7. It is important to check your filter regularly and wash at least every month according to instructions, to maintain performance. Please leave to dry completely for 12 hours.
- The filter may require more frequent washing if vacuuming fine dust.
- Do not use detergents to clean the filter.
- Do not put the filter in the dishwasher, washing machine, tumble dryer, oven, microwave or near an open flame.

LOOKING FOR BLOCKAGES

⚠ CAUTION:

- Switch off the Dyson handheld vacuum and disconnect from charger before looking for blockages.
- Beware of sharp objects when clearing blockages.
- Refit all parts of the Dyson handheld vacuum securely before using.

PLEASE NOTE :

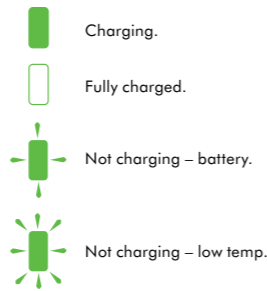
- Clearing blockages is not covered by your Dyson handheld vacuum's limited warranty. If any part of your Dyson handheld vacuum becomes blocked, it may overheat and then automatically shut off.
- Unplug the Dyson handheld vacuum and leave to cool down. Clear blockage before restarting.

CLEARING BRUSH BAR OBSTRUCTIONS

⚠ CAUTION:

- Switch off the Dyson handheld vacuum and disconnect from charger before clearing brush bar obstructions. If your brush bar is obstructed, it may shut off. If this happens you will need to remove brush bar as show on page 5, and clear any obstructing debris.

TROUBLESHOOTING – CHARGING AND BATTERY



CHARGING AND STORING YOUR DYSON HANDHELD VACUUM

Your Dyson handheld vacuum will turn off if the battery temperature is below 37.4° F (3° C). This is designed to protect the motor and battery of your product. Do not charge the Dyson handheld vacuum and then move it to an area with a temperature below 37.4° F (3° C) for storage purposes.

BATTERY SAFETY INSTRUCTIONS

Use only Dyson batteries and charging unit for this Dyson handheld vacuum. The battery is a sealed unit and under normal circumstances poses no safety concerns. In the unlikely event that liquid leaks from the battery do not touch the liquid and observe the following precautions:
Skin contact – can cause irritation. Wash with soap and water.
Inhalation – can cause respiratory irritation. Provide fresh air and seek medical advice.
Eye contact – can cause irritation. Immediately flush eyes thoroughly with water for at least 15 minutes. Seek medical attention.
Disposal – wear gloves to handle the battery and dispose of immediately following local ordinances or regulations.

⚠ CAUTION:

The battery used in this device may present a risk of fire or chemical burn if mistreated. Do not disassemble, short contacts, heat above 140° F (60° C), or incinerate. Replace battery with a Dyson battery only, use of any other battery may present a risk of fire or explosion. Dispose of used battery promptly. Keep away from children. Do not disassemble and do not dispose of in fire.

- The battery must be removed from the Dyson handheld vacuum before it is scrapped.
- The battery is to be disposed of safely.
- The handheld vacuum must be disconnected from the power supply when removing the battery.
- Battery can be charged on or off of the handheld vacuum. Take caution when removing the battery.

DYSON CUSTOMER CARE

THANK YOU FOR CHOOSING TO BUY A DYSON HANDHELD VACUUM.

If you have a question about your Dyson handheld vacuum, call the Dyson Helpline at 1-866-693-9766 with your serial number and details of where and when you bought the handheld vacuum. Your serial number can be found on the rating plate, which is behind the filter. Most questions can be solved over the phone by one of our Dyson Helpline staff. If your handheld vacuum needs service, call the Dyson Helpline so we can discuss the available options. If your handheld vacuum is under warranty, and it is a covered repair, it will be repaired at no cost.

DYSON HELPLINE

Call 1-866-693-9766 toll free, Mon-Fri 8am - 8pm, Sat 9am – 3pm, Sun 10am - 2pm.

PLEASE REGISTER AS A DYSON HANDHELD VACUUM OWNER

To help us ensure you receive prompt and efficient service, please register as a Dyson handheld vacuum owner. There are three ways to do this:

- Online at www.dyson.com
 - By calling the Dyson Helpline: 1-866-693-9766.
 - By completing and returning the attached Warranty Form to us by mail.
- This will confirm ownership of your Dyson handheld vacuum in the event of an insurance loss, and enable us to contact you if necessary.

2 YEAR WARRANTY

TERMS AND CONDITIONS OF THE DYSON 2 YEAR LIMITED WARRANTY.

WHAT IS COVERED

Your Dyson handheld vacuum is warranted against original defects in material and workmanship for a period of two years from the date of purchase, when used for private household purposes in accordance with the Operating Manual. This warranty provides, at no extra cost to you, all labor and parts necessary to ensure your handheld vacuum is in proper operating condition during the warranty period. This limited warranty is subject to the following terms:

WHAT IS NOT COVERED

Dyson, Inc. shall not be liable for costs, damages or repairs incurred as a result of:

- Handheld vacuums purchased from an unauthorized dealer.
- Clearing blockages from your handheld vacuum.
- Carpet damage due to use not in accordance with flooring manufacturer's instructions or failure to turn brush bar off when necessary.
- Use of parts not in accordance with the Operating Manual.
- Careless operation or handling, misuse, abuse and/or lack of maintenance or use not in accordance with the Operating Manual.
- External sources such as weather.
- Repairs or alterations carried out by unauthorized parties or agents.
- Use of the handheld vacuum other than for normal domestic purposes within the United States, e.g. for commercial or rental purposes.
- Normal wear and tear, including normal wearing parts such as clear bin, filter, brush bar, power cord, and reduction in battery discharge time due to battery age or use (or where external damage or abuse is diagnosed).
- Use of parts and accessories other than those produced or recommended by Dyson, Inc.

WARRANTY SERVICE

- Please fill out and return the Warranty Form, or register online at www.dyson.com
- Before service can take place, the terms of the limited warranty require that you contact the Dyson Helpline with your model name/number, serial number, date and place of purchase. Please keep your purchase receipt in a safe place to ensure you have this information. The serial number is found on the vacuum's rating plate, which is behind the filter.
- All work will be carried out by Dyson, Inc. or its authorized agents.
- Any replaced defective parts will become the property of Dyson, Inc.
- Service under this warranty will not extend the period of this warranty.
- If your handheld vacuum is not functioning properly, please call the Dyson Helpline at 1-866-693-9766. Most issues can be rectified over the telephone by our trained Customer Care staff. If this is not possible Dyson, Inc. will arrange for your handheld vacuum to be repaired and returned in full working order at no extra cost to yourself.

WARRANTY LIMITATIONS AND EXCLUSIONS

- Any implied warranties relating to your handheld vacuum, including but not limited to warranty of merchantability or warranty of fitness for a particular purpose, are limited to the duration of this warranty. This limitation is not allowed by some States and so this limitation may not apply to you.
- Your remedy for breach of this warranty is limited to the warranty service described above. Dyson, Inc. will not be liable for any consequential damages or incidental damages you may incur in connection with your purchase and use of your handheld vacuum. This limitation is not allowed by some States and so this limitation may not apply to you.
- This limited warranty gives you specific legal rights. You may also have other rights which vary by State.
- This limited warranty is not transferable.

IMPORTANT DATA PROTECTION INFORMATION

Your details will be held by Dyson, Inc. or others on behalf of Dyson, Inc. so that we can assist you more quickly in our Customer Service department. From time to time, Dyson, Inc. may send you special offers and news of our latest innovations. Check the box on the Warranty Form within the Operating Manual if you do not wish to receive marketing or promotional information from Dyson, Inc. For more information about our data collection practices, please refer to the Dyson, Inc privacy policy at www.dyson.com/privacy

PRODUCT INFORMATION

Net weight: 1.52kg (3.35lbs)

Please note: Small details may vary.

United States: "This device complies with Part 15 of the FCC Rules. Operation is subject to the following two conditions:

- (1) this device may not cause harmful interference, and
- (2) this device must accept any interference received, including interference that may cause undesired operation."

"Changes or modifications not expressly approved by the party responsible for compliance could void the user's authority to operate the equipment."

This product is protected by the following intellectual rights:

PATENTS/APPLICATIONS

CA 2544609; JP 2007-508934; US 2007-0079579; AU 2004294771; AU 2002226556; CA 2,439,250; EP 1370172; JP 4002185; US 6991666; AU 2002225207; EP 1361814; JP 3860541; US 7018439; AU 2001240894; EP 1268076; JP 2003-528704; US 6,835,222; AU 2002-225232; EP 1361815; JP 3940082; US 6,974,488; EP 1748848; JP 2007-534377; US 2007-0175189; WO 2005/110608; WO 2008/009884; WO 2008/009891; WO 2008/015377; WO 2008/015378; WO 2008/035034; WO 2008/009886; WO 2008/009888; WO 2008/009883; GB 2440515; GB 2440514; GB2442033; GB 2440126; GB 2440109; GB 2440107.

DESIGNS/DESIGN APPLICATIONS:

GB 3025398; GB 3025399; GB 3025400; GB 3025401; GB 3025402; GB 3025403; GB 3025404; GB 4004309; EU 651849.

Equivalent patents, registered designs and applications exist in other countries.

CÓMO UTILIZAR SU ASPIRADORA PORTÁTIL DYSON





⚠ ADVERTENCIA:

- Tenga cuidado de no presionar el botón de apertura de la batería durante el funcionamiento normal.
- La aspiradora portátil Dyson puede saltar polvo, basura y escombros si la voltea de cabeza. Cerciórese de mantener la aspiradora portátil Dyson erguida durante el uso y el almacenamiento.
- No ponga a funcionar la aspiradora portátil Dyson cuando esté verificando posibles obstrucciones.

CONSIDERE LO SIGUIENTE:

- No efectúe ningún trabajo de mantenimiento o reparación distinto al que se indica en este Manual de Funcionamiento o por sugerencia de la línea de ayuda de Dyson.
- La aspiradora portátil Dyson está destinada para uso doméstico y para automóviles. No la use si el carro está en movimiento o mientras maneja.
- No presione la boquilla con demasiada fuerza cuando use la aspiradora portátil Dyson; hacerlo puede ocasionar daños.
- Si el motor se sobrecalienta, la aspiradora portátil Dyson se apagará automáticamente. Déjela enfriar al menos durante una hora y compruebe si tiene obstrucciones antes de ponerla otra vez en funcionamiento.
- La suciedad fina, como el polvo de harina o de yeso, deberá aspirarse sólo en pequeñas cantidades.
- Consulte las instrucciones que recomienda el fabricante de pisos antes de aspirar y administrar cuidados a su piso, alfombras y tapetes.

SOLUCIÓN DE PROBLEMAS - ASPIRADORA PORTÁTIL DYSON

| | |
|--|---|
|  | Cargada. |
|  | Emite una luz cuando queda menos de un minuto de batería/Totalmente descargado. |
|  | No usar cuando la temperatura sea menor a 37.4° F (3° C). |
|  | Carencia de filtro/ajuste incorrecto del filtro. |

CÓMO VACIAR EL COMPARTIMIENTO CUBO TRANSPARENTE

⚠ ADVERTENCIA:

- Apague la aspiradora portátil Dyson y desconéctela del cargador antes de vaciar el compartimiento cubo transparente.

CONSIDERE LO SIGUIENTE:

- Vaciela tan pronto el polvo y la basura lleguen al nivel máximo – no la sobrellene. Para vaciar el polvo y la basura, presione el botón en el costado del compartimiento cubo transparente como se indica.
- Compruebe que el compartimiento cubo transparente esté totalmente seco antes de volverlo a colocar.

LIMPIEZA DEL COMPARTIMIENTO CUBO TRANSPARENT

⚠ ADVERTENCIA:

- Compruebe que el compartimiento cubo transparente esté totalmente seco antes de volverlo a colocar.

CONSIDERE LO SIGUIENTE:

- Para extraer el compartimiento cubo transparente, presione el botón de liberación de la aspiradora portátil Dyson como se indica, consulte la página.
- Use solamente agua fría para limpiar el compartimiento cubo transparente. No use detergentes, materiales para pulir o aromatizantes.
- No ponga el compartimiento cubo transparente en una lavadora de platos.

CÓMO LAVAR EL FILTRO

⚠ ADVERTENCIA:

- Apáguela y desconéctela del cargador antes de quitar el filtro.
- Compruebe que el filtro esté completamente seco antes de reinstalarlo en la aspiradora portátil Dyson.

CONSIDERE LO SIGUIENTE:

- La aspiradora portátil Dyson incluye un filtro, localizado donde se indica, consulte la página 6 y 7. Es importante que revise el filtro periódicamente y lo lave al menos cada mes como lo indican las instrucciones para mantener el buen funcionamiento. Déjelo secar completamente durante 12 horas.
- El filtro podría requerir lavados más frecuentes si se ha aspirado polvo fino.
- No use detergentes para limpiar el filtro.
- No ponga el filtro en lavaplatos, lavadoras, secadoras, hornos, microondas o cerca de flamas expuestas.

CÓMO BUSCAR OBSTRUCCIONES

⚠ ADVERTENCIA:

- Apague la aspiradora portátil Dyson y desconéctela del cargador antes de inspeccionar posibles obstrucciones.
- Tenga cuidado con los objetos afilados cuando despeje cualquier obstrucción.
- Reinstale de manera segura todas las partes de la aspiradora portátil Dyson antes de volverla a usar.

CONSIDERE LO SIGUIENTE:

- La eliminación de obstrucciones no se contempla en la cobertura de garantía limitada de su aspiradora portátil Dyson. Si cualquier parte está bloqueada, su aspiradora portátil Dyson podría sobrecalentarse y se apagará automáticamente.
- Desconecte la aspiradora portátil Dyson y déjela enfriar. Elimine el bloqueo antes de ponerla otra vez en funcionamiento.

LIMPIEZA DE LAS OBSTRUCCIONES DE LA BARRA DEL CEPILLO.





⚠ ADVERTENCIA:

- Apague la aspiradora portátil Dyson y desconecte del cargador, antes de limpiar las obstrucciones de la barra del cepillo. si su barra del cepillo está obstruida, puede apagarse. Si la barra de cepillo se encuentra obstruida, podría apagarse. Si esto sucede usted necesitará extraer la barra de cepillo como se muestra en la página 5, y necesitará limpiar cualquier desecho que la esté obstruyendo.

RECARGA Y ALMACENAMIENTO DE SU ASPIRADORA PORTÁTIL DYSON

Su aspiradora portátil Dyson se apagará si la temperatura de la batería es menor a 37.4° F (3° C). Está diseñada para proteger el motor y la batería de su producto. No recargue la aspiradora portátil Dyson para luego almacenarla en un área con temperatura por debajo de 37.4° F (3° C).

REPARACIÓN DE AVERÍAS – RECARGA Y BATERÍA

| | |
|---|---------------------------------|
|  | Recarga. |
|  | Totalmente cargada. |
|  | No recargar – batería. |
|  | No recargar – temperatura baja. |

INSTRUCCIONES DE SEGURIDAD DE LA BATERÍA

Use solamente las baterías Dyson y el cargador de esta aspiradora portátil Dyson. La batería es una unidad sellada y en situaciones normales no implica riesgos de seguridad. En el evento improbable de que la batería drene líquido, no toque el líquido y tome las siguientes precauciones:
Contacto con la piel: puede ocasionar irritación. Lave con jabón y agua.
Inhalación: puede ocasionar irritación respiratoria. Provea aire fresco y busque asistencia médica.
Contacto con los ojos: puede ocasionar irritación. Lave perfectamente los ojos de inmediato con agua durante por lo menos 15 minutos. Busque atención médica.
Eliminación: use guantes para manipular la batería y elimínela inmediatamente de acuerdo con las ordenanzas o normativas locales.

⚠ PRECAUCIÓN:

El maltrato a la batería que usa este aparato puede representar un riesgo de incendio o quemadura química. No la desarme, no provoque cortos, no la caliente a más 140° F (60° C) ni la incinere. Reemplace la batería sólo con una batería de Dyson, usar cualquier otro tipo de batería puede representar un riesgo de incendio o explosión. Elimine rápidamente la batería usada. Manténgala lejos del alcance de los niños. No la desarme ni la arroje al fuego.

- Debe extraer la batería de la aspiradora portátil Dyson antes de deshacerse de ella.
- Debe eliminar la batería de manera segura.
- Debe desconectar la batería portátil de la alimentación eléctrica cuando retire la batería.
- La batería se puede recargar dentro o fuera de la máquina. Tenga cuidado cuando retire la batería

SERVICIO DE ATENCIÓN AL CLIENTE DYSON GRACIAS POR ELEGIR COMPRAR UNA ASPIRADORA DYSON

Si tiene alguna duda acerca de su aspiradora Dyson, llame a la línea de ayuda de Dyson al 1-886-693-9766 con el número de serie e informacio'n de cuándo y dónde compró el producto. Su número de serie se encuentra en la placa de especificaciones que está detrás del filtro. Si tiene más preguntas, puede consultar por teléfono a algún miembro de la línea de ayuda. Si su aspiradora necesita reparación llame a la Línea de ayuda de Dyson para poder analizar las opciones disponibles. Si su aspiradora tiene garantía y la reparación necesaria está incluida dentro de esa garantía, se reparará sin costo alguno.

LÍNEA DIRECTA DE ASISTENCIA AL CLIENTE DE DYSON

Llame al 1-866-693-9766, gratis, los 7 días de la semana.
Llamada gratuita, lunes a viernes de 8am-8pm, sábados de 9am-3pm, domingos de 10am-2pm.

POR FAVOR REGÍSTRESE COMO PROPIETARIO DE UNA ASPIRADORA DYSON

Para ayudarnos a asegurarle que reciba un servicio rápido y eficaz, por favor regístrese como propietario de una aspiradora Dyson. Hay dos maneras de hacerlo:

- En línea en www.dyson.com
- Llamando gratis a la línea de ayuda de Dyson: 1-866-693-9766.
- Completando y enviándonos por correo el formulario que se adjunta. Esto confirmará que la aspiradora Dyson es de su propiedad en caso de que ocurra una pérdida cubierta por el seguro, y nos permitirá contactarle si fuese necesario.

2 AÑOS DE GARANTÍA

TÉRMINOS Y CONDICIONES DE LA GARANTÍA LIMITADA DE 2 AÑOS DE DYSON.

QUÉ ESTÁ CUBIERTO

Su aspiradora Dyson está garantizada contra defectos originales de material o mano de obra por un período de dos años a partir de la fecha de compra, cuando se utilice para fines domésticos privados y de acuerdo con el Manual de Instrucciones de Dyson. Esta garantía proporciona, sin costo para usted, toda la mano de obra y piezas para poner su aspiradora en perfectas condiciones de funcionamiento durante el plazo de garantía. Esta garantía está sujeta a los siguientes términos:

QUÉ NO ESTÁ CUBIERTO

Dyson, Inc. no será responsable de los costos incurridos como resultado de:

- Aspiradoras compradas a proveedores no autorizados.
- Eliminar obstrucciones de su máquina.
- Daño a la alfombra debido al uso no de acuerdo con las instrucciones del fabricante dado al caso de no apagar el cepillo cuando es necesario.
- El uso de piezas que no estén contempladas en el Manual de Instrucciones.
- El funcionamiento o manejo descuidado, uso indebido y/o falta de mantenimiento o el uso de forma contraria al Manual de Instrucciones.
- Factores externos, como por ejemplo el clima.
- Reparaciones o alteraciones llevadas a cabo por partes o agentes no autorizados.
- El uso de la aspiradora contrario a los usos domésticos normales dentro de los Estados Unidos de América, por ejemplo, para el uso comercial o alquiler.
- Uso y desgaste normal, inclusive de las piezas que se usan normalmente tales como transparente, filtro, barra del cepillo, cable de electricidad, y reducción del tiempo de descarga de la batería debido a la antigüedad de la batería o uso (o en caso de que se determine un deterioro externo o maltrato).
- El uso de piezas y accesorios que no sean los producidos o recomendados por Dyson, Inc.

SERVICIO DE GARANTÍA

- Por favor complete y devuelva el Formulario de registro del producto, o regístrese en línea en www.dyson.com
- Antes de poder realizar el servicio, los términos de la garantía exigen que se ponga en contacto con la Línea Directa de Asistencia al Cliente de Dyson y que proporcione el nombre/número del modelo, número de serie, y la fecha y sitio de compra. Por favor mantenga la factura de compra en un sitio seguro para asegurarse de tener esta información. El número de serie se encuentra en la placa de calificación de la aspiradora, que se encuentra en el cuerpo principal de la máquina, detrás del filtro
- Todo el trabajo lo llevará a cabo Dyson, Inc. o sus agentes autorizados.
- El cambio de cualquier pieza defectuosa no extenderá el período de la misma.
- El servicio según esta garantía no extenderá el período de esta garantía.
- Si su aspiradora no funciona correctamente, por favor llame a la Línea Directa de Asistencia al Cliente de Dyson por el 1-866-693-9766. La mayoría de los problemas pueden solucionarse por teléfono a través de nuestro personal capacitado en atención al cliente. Si esto no es posible, Dyson, Inc. hará que se repare y se le devuelva su aspiradora en perfectas condiciones sin costo adicional para usted.

LIMITACIONES Y EXCLUSIONES DE LA GARANTÍA

- Cualquier garantía implícita relacionada con su aspiradora, incluyendo pero sin limitarse a una garantía de comerciabilidad o garantía de idoneidad para un propósito en particular, se limita a la duración de esta garantía. Esta limitación no está permitida por algunos estados, por lo que esta limitación puede no aplicarse a usted.
- El recurso por el incumplimiento de esta garantía se limita al servicio de garantía descrito anteriormente. Dyson, Inc. no será responsable de ningún daño consecuente o incidental en el que se pueda incurrir en conexión con la compra y uso de su aspiradora. Esta limitación no está permitida por algunos estados, por lo que esta limitación puede no aplicarse a usted.
- Esta garantía limitada le otorga derechos legales específicos. Usted podría tambien tener otros derechos los cuales varían de acuerdo al estado.
- Esta garantía le otorga derechos legales específicos.

INFORMACIÓN IMPORTANTE PARA LA PROTECCIÓN DE DATOS

Dyson, Inc. o terceros a nombre de Dyson, Inc. mantendrán sus detalles para poder asistirle más rápidamente en nuestro departamento de Atención al Cliente. De vez en cuando, Dyson, Inc. puede enviarle ofertas especiales y noticias sobre nuestras últimas innovaciones. Marque la casilla correspondiente en el Formulario de garantía dentro del Manual de Funcionamiento en caso de que no desee recibir información comercial o promocional de Dyson, Inc. Para obtener más información sobre nuestros practices de obtención de datos, consulte las normas de privacidad de Dyson, Inc. en www.dyson.com/privacy

INFORMACIÓN DEL PRODUCTO

Peso neto: 1.52kg (3.35lb)

Por favor esté atento: los detalles menores pueden variar.

Estados Unidos:

“ Este dispositivo cumple con la Parte 15 de las Reglas FCC. Su funcionamiento está sujeto a las siguientes dos condiciones:
(1) este dispositivo no puede causar interferencia nociva, y
(2) este dispositivo debe aceptar cualquier interferencia recibida, incluyendo interferencia que pueda causar un funcionamiento no deseado.”
“ Los cambios o modificaciones no aprobados expresamente por la parte responsable del cumplimiento pueden anular la autoridad del usuario de hacer funcionar el equipo.”

Este producto se encuentra bajo la protección de los siguientes derechos de propiedad intelectual:

PATENTE/NÚMEROS DE SOLICITUD DE PATENTE:

CA 2544609; JP 2007-508934; US 2007-0079579; AU 2004294771; AU 2002226556; CA 2,439,250; EP 1370172; JP 4002185; US 6991666; AU 2002225207; EP 1361814; JP 3860541; US 7018439; AU 2001240894; EP 1268076; JP 2003-528704; US 6,835,222; AU 2002-225232; EP 1361815; JP 3940082; US 6,974,488; EP 1748848; JP 2007-534377; US 2007-0175189; WO 2005/110608; WO 2008/009884; WO 2008/009891; WO 2008/015377; WO 2008/015378; WO 2008/035034; WO 2008/009886; WO 2008/009888; WO 2008/009883; GB 2440515; GB 2440514; GB2442033; GB 2440126; GB 2440109; GB 2440107.

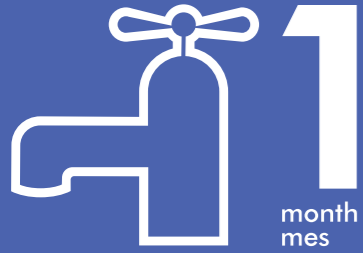
DISEÑOS/APLICACIONES DE DISEÑO:

GB 3025398; GB 3025399; GB 3025400; GB 3025401; GB 3025402; GB 3025403; GB 3025404; GB 4004309; EU 651849.

En otros países existen patentes equivalentes, diseños y aplicaciones registrados.

IMPORTANT! ¡IMPORTANTE!

WASH FILTER LAVE EL FILTRO



Wash filter with cold water at least every month.
Lave el filtro con agua fría al menos cada mes.



Dyson Customer Care

If you have a question about your Dyson handheld vacuum, call the Dyson Helpline with your serial number and details of where and when you bought the Dyson handheld vacuum, or contact us via the Dyson website. The serial number can be found on the main body of the handheld vacuum behind the filter.

Dyson Customer Care
1-866-693-9766
Toll free, 7 days a week.

Servicio de atención al cliente Dyson
1-866-693-9766
Llamada gratuita, 7 días de la semana.



WARRANTY FORM CONTINUED CONTINUACIÓN DEL FORMULARIO DE GARANTÍA

Please take a few moments to answer our questions.
They will help us develop new products for the future.

Tómese unos instantes para responder a nuestras preguntas.
Esto nos ayudará a desarrollar nuevos productos en el futuro.

1. Why did you decide to buy a Dyson vacuum?

- Cleaning performance
- Advanced Technology/ Features
- Style / Design
- Warranty
- Recommendation
- Promotion
- No loss of suction
- Asthma and allergy certification
- HEPA filtration

2. Do you own pets?

- Cat / Dog
- Other
- None

3. Would you like to hear about future asthma and allergy related initiatives or product development at Dyson?

- Yes
- No

1. ¿Por qué decidió comprar una aspiradora Dyson?

- Capacidad de limpieza
- Tecnología avanzada / Funciones
- Estilo / Diseño
- Garantía
- Recomendación
- Promoción
- No pierde succión
- Certificación para asma y alergia
- Filtro HEPA

2. ¿Tiene mascotas?

- Gato / Perro
- Otra
- Ninguna

3. ¿Le gustaría saber sobre el desarrollo de productos o las futuras iniciativas en cuanto a asma y alergia en Dyson?

- Sí
- No

THANK YOU FOR YOUR TIME • GRACIAS POR DEDICARNOS SU TIEMPO



