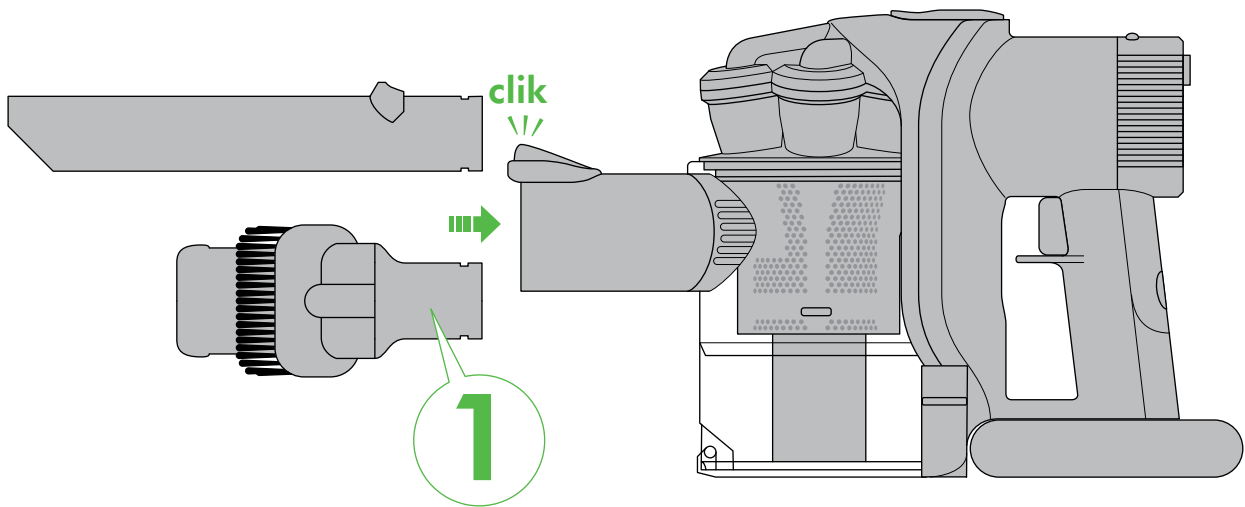


ASSEMBLY • ARMADO



2

**WASH FILTER**  
Wash filter with cold water at least every month.

**LAVE EL FILTRO**  
Lave el filtro con agua fría al menos cada mes.

**3.5 hrs**

**FULLY CHARGED**  
**TOTALMENTE CARGADA**

**REGISTER TODAY**  
Register your free 2 year warranty today

**REGISTRE HOY**  
Registre hoy su garantía de 2 años

**MAX POWER**  
**POTENCIA MAX**

= 06:00 mins

**MIN POWER**  
**POTENCIA MIN**

= 09:00 mins

# IMPORTANT SAFETY INSTRUCTIONS

**BEFORE CHARGING THE BATTERY OR USING THIS APPLIANCE READ ALL INSTRUCTIONS AND CAUTIONARY MARKINGS IN THIS MANUAL, ON THE CHARGER, ON THE BATTERY AND ON THE DYSON HANDHELD VACUUM CLEANER**

When using an electrical appliance, basic precautions should always be followed, including the following:



## WARNING

**TO REDUCE THE RISK OF FIRE, ELECTRIC SHOCK, OR INJURY:**

1. This Dyson handheld vacuum cleaner and charger are not intended for use by young children or infirm persons with reduced physical, sensory or reasoning capabilities, or lack of experience and knowledge, unless they have been given supervision or instruction by a responsible person concerning use of the Dyson handheld vacuum cleaner or charger to ensure that they can charge and use the Dyson handheld vacuum cleaner safely.
2. Do not allow to be used as a toy. Close attention is necessary when used by or near children. Children should be supervised to ensure that they do not play with the Dyson handheld vacuum cleaner or charger.
3. Do not install, charge or use the Dyson handheld vacuum cleaner outdoors, in a bathroom or within 3 metres (10.1 feet) of a pool. Do not use the Dyson handheld vacuum cleaner or charger on wet surfaces and do not expose to moisture, rain or snow. Do not use to pick up water.
4. Do not use or charge with damaged cord. If the Dyson handheld vacuum cleaner or charger is not working as it should, has received a sharp blow, has been dropped, damaged, left outdoors, or dropped into water, do not use and contact the Dyson Customer Care Helpline.
5. Do not unplug the charger by pulling on the cord. To unplug, grasp the charger, not the cord.
6. Unplug the charger from the socket when not in use for extended periods. Make sure the charger cord is located so that it will not be stepped on, tripped over, or otherwise subjected to damage or stress.
7. Do not stretch the charger cord or place the cord under strain. Keep cord away from heated surfaces.
8. Do not handle the charger, including the charger terminals or Dyson handheld vacuum cleaner with wet hands.
9. Do not put any object into openings. Do not use with any opening blocked; keep free of dust, lint, hair, and anything that may reduce airflow.
10. Keep hair, loose clothing, fingers, and all parts of body away from openings and moving parts, such as the brush bar.
11. Use extra care when cleaning on stairs.
12. Do not use to pick up flammable or combustible liquids, such as gasoline, or use in areas where they may be present.
13. Do not pick up anything that is burning or smoking, such as cigarettes, matches, or hot ashes.
14. Do not use without the clear bin and filter in place.
15. Use only as described in this Dyson Operating Manual Use only Dyson recommended accessories and replacement parts. Do not carry out any maintenance other than that shown in this Dyson Operating Manual, or advised by the Dyson Customer Care Helpline.
16. Contact the Dyson Customer Care Helpline when service or repair is required. Do not disassemble the Dyson handheld vacuum cleaner as incorrect reassembly may result in an electric shock or fire.
17. Use only Dyson chargers for charging this Dyson handheld vacuum cleaner. Use only Dyson batteries: other types of batteries may burst causing injury to persons and damage.
18. Unplug the charger from socket before cleaning or maintenance.
19. The use of an extension cord is not recommended.
20. Do not incinerate this Dyson handheld vacuum cleaner even if it is severely damaged. The battery may explode in a fire.
21. Do not press the battery release button during normal operation.

## SAVE THESE INSTRUCTIONS

**THIS DYSON HANDHELD VACUUM CLEANER IS INTENDED FOR HOUSEHOLD USE ONLY.**



Do not use near naked flame.



Do not store near heat source.



Do not pick up water or liquids.



Do not pick up burning objects.

# INSTRUCCIONES DE SEGURIDAD IMPORTANTES

ANTES DE CARGAR LA BATERÍA O DE UTILIZAR ESTE DISPOSITIVO, LEA TODAS LAS INSTRUCCIONES Y NOTAS DE PRECAUCIÓN EN ESTE MANUAL, EN EL CARGADOR, EN LA BATERÍA Y EN LA ASPIRADORA PORTÁTIL DYSON

Deben tomarse precauciones básicas al usar un aparato eléctrico, incluidas las siguientes:

## ADVERTENCIA

PARA REDUCIR EL RIESGO DE UN INCENDIO, DESCARGA ELÉCTRICA O LESIÓN:

1. Esta aspiradora portátil Dyson y el cargador no están diseñados para ser utilizados por niños pequeños o personas enfermas cuyas capacidades físicas, sensoriales o de razonamiento sean limitadas o bien, carezcan de experiencia y conocimiento, a menos que hayan recibido supervisión o instrucción por parte de una persona responsable con respecto al uso de la aspiradora portátil o del cargador para garantizar que puedan cargar y utilizar la aspiradora portátil de manera segura.
2. No permita que el aparato sea utilizado como un juguete. Preste mucha atención si es utilizado por niños o cerca de ellos. Los niños deberían ser supervisados para asegurarse de que no jueguen con la aspiradora portátil o el cargador.
3. No instale, cargue ni use la aspiradora portátil Dyson en exteriores, en un baño o a una distancia menor a 10 pies (3.1 metros) de una piscina. No use la aspiradora portátil ni el cargador Dyson sobre superficies mojadas, ni los esponja a humedad, lluvia o nieve. No la utilice para aspirar agua.
4. No la utilice ni cargue si el cable está dañado. Si la aspiradora portátil o el cargador Dyson no funcionan como es debido, han recibido un golpe fuerte o se han caído, dañado, dejado a la intemperie, o sumergido en agua, no los utilice y comuníquese con la línea de ayuda de servicio al cliente Dyson.
5. No desconecte el cargador tirando por del cable. Para desconectar, tome el cargador y no el cable.
6. Desconecte el cargador del enchufe cuando no lo utilice por períodos prolongados. Asegúrese de que el cable del cargador esté colocado de manera que no sea pisado, golpeado o haya estado de alguna otra manera sujeto a daños o tensión.
7. No estire el cable del cargador o someta el cable a tensión. Mantenga el cable alejado de superficies calientes.
8. No manipule el cargador, incluyendo las terminales del cargador, o la aspiradora portátil Dyson con las manos mojadas.
9. No obstruya las aberturas del aparato con ningún objeto. No utilice el aparato si tiene alguna abertura obstruida. Mantenga las aberturas libres de polvo, pelusas, cabellos y cualquier otra cosa que pueda reducir la circulación del aire.
10. Mantenga los cabellos, la ropa suelta, los dedos y cualquier otra parte del cuerpo alejados de las aberturas y las partes móviles, como la barra de cepillo.
11. Tenga mucho cuidado cuando utilice la aspiradora sobre una escalera.
12. No aspire líquidos inflamables o combustibles como gasolina, ni utilice el producto en áreas donde pueda haber este tipo de sustancias.
13. No aspire nada que se esté quemando o que emita humo, como cigarrillos, fósforos o cenizas calientes.
14. No utilice la aspiradora si el compartimento cubo transparente y los filtros no están correctamente en su lugar.
15. Utilícela solamente como se describe en este manual de funcionamiento Dyson. Utilice solamente los accesorios y las piezas de repuesto recomendadas por Dyson. No realice ningún otro mantenimiento que no sea el mostrado en este manual de funcionamiento Dyson, o el recomendado por la línea de ayuda de servicio al cliente Dyson.
16. Comuníquese con la línea de ayuda de servicio al cliente Dyson cuando se requiera mantenimiento o reparación. No desmonte la aspiradora portátil Dyson, ya que un montaje incorrecto puede provocar descargas eléctricas o incendios.
17. Utilice sólo cargadores Dyson para cargar esta aspiradora portátil Dyson. Utilice sólo baterías Dyson: otros tipos de baterías pueden explotar y causar lesiones a las personas y daños.
18. Desconecte el cargador del tomacorriente antes de limpiar o realizar mantenimiento.
19. No se recomienda el uso de un cable de extensión.
20. No incinere esta aspiradora portátil Dyson, ni siquiera si está muy dañada. El fuego podría hacer explotar la batería.
21. No presione el botón de liberación de la batería durante el funcionamiento normal.

## LEA Y GUARDE ESTAS INSTRUCCIONES

ESTE ASPIRADORA PORTÁTIL DYSON ES PARA USO DOMÉSTICO SOLAMENTE.



No la use cerca de fuego abierto



No la almacene cerca de una fuente de calor.

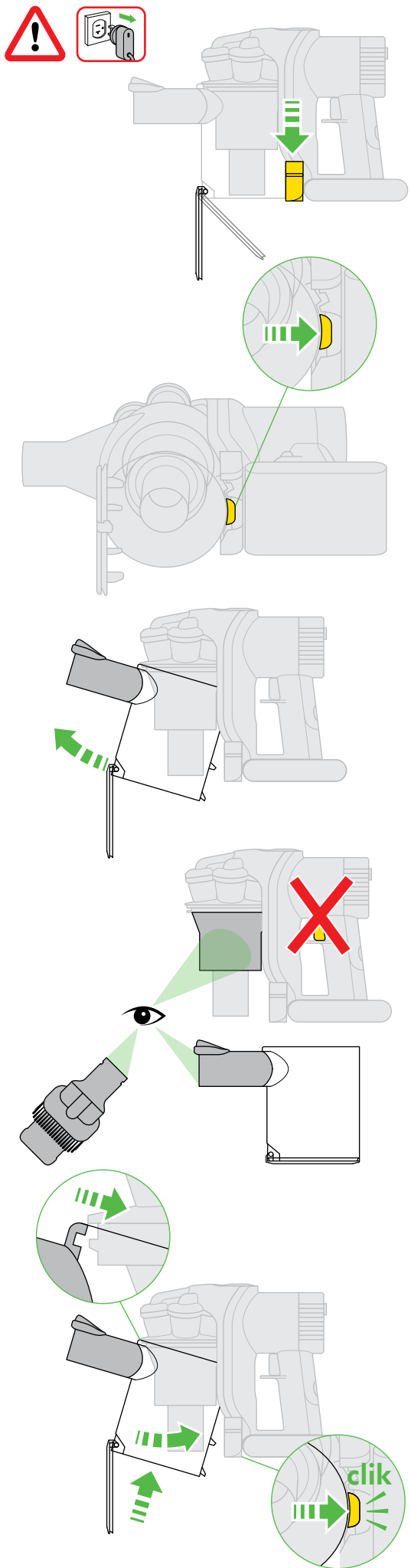


No aspire agua o líquidos.

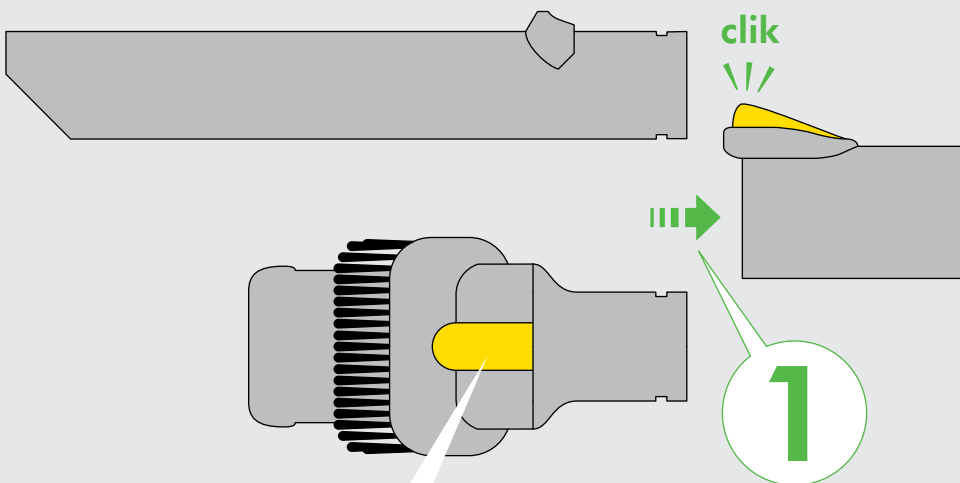
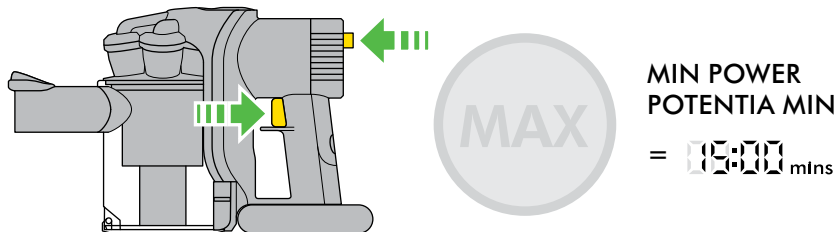
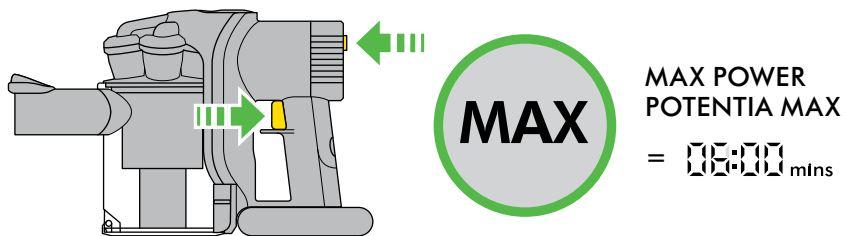


No aspire objetos que se estén quemando.

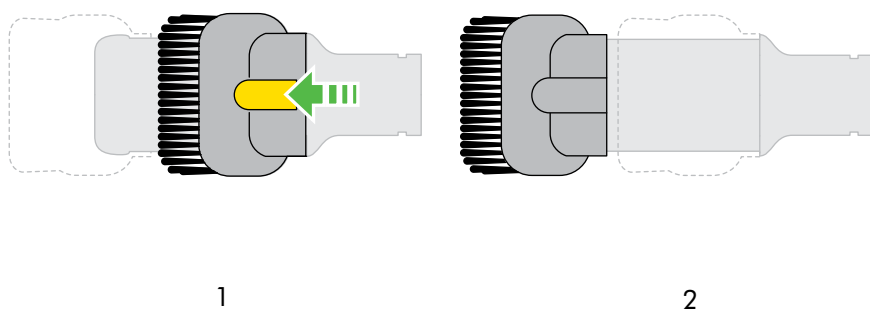
Looking for blockages • Cómo buscar obstrucciones

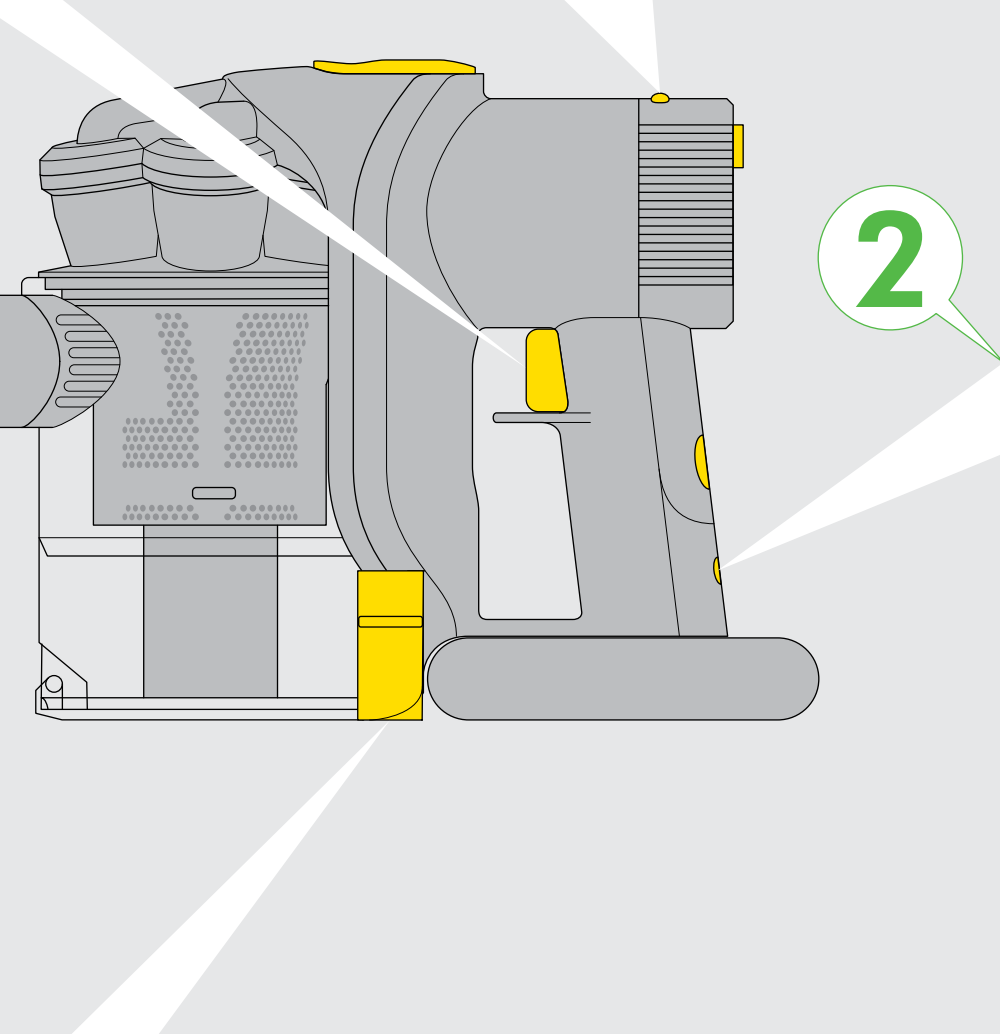
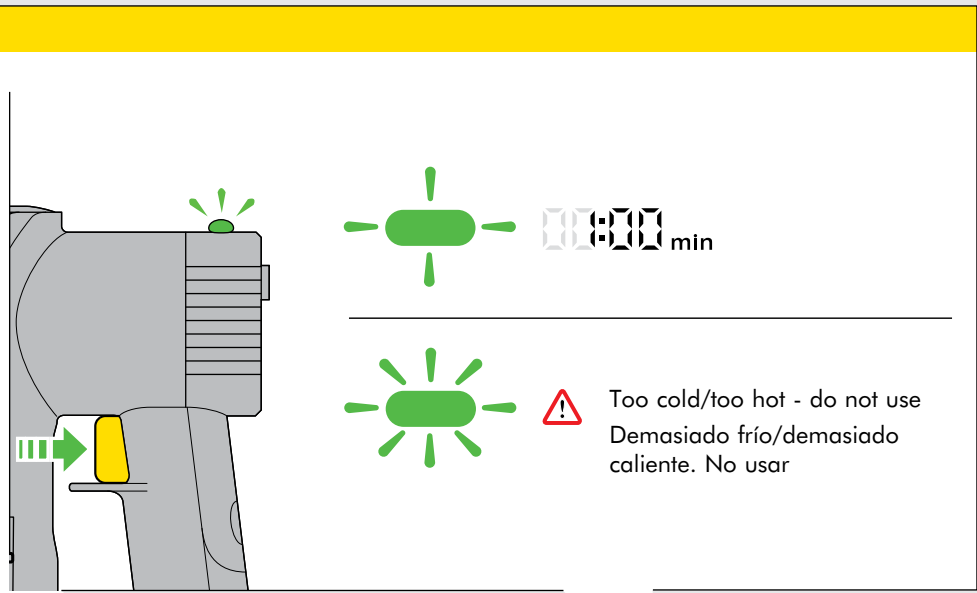


Power • Potencia

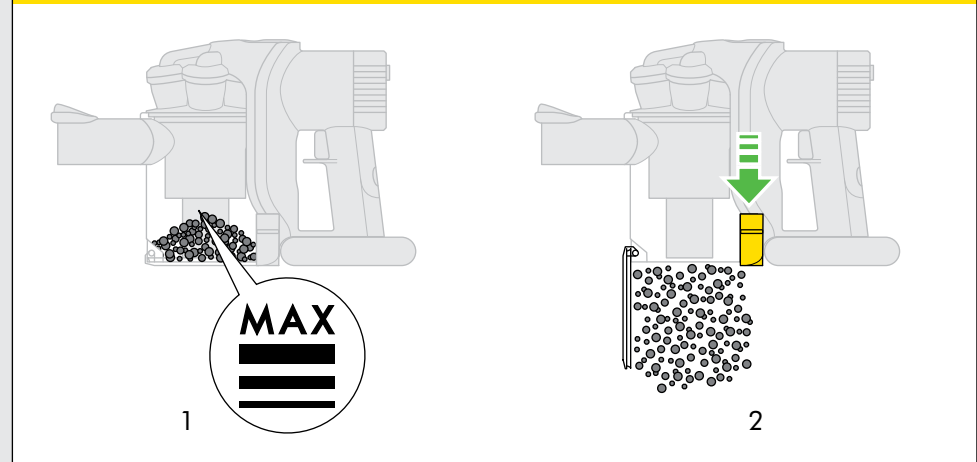


Combination accessory tool • Combinación de accesorio

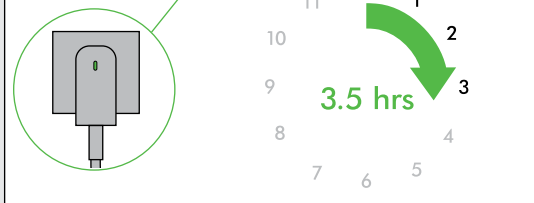
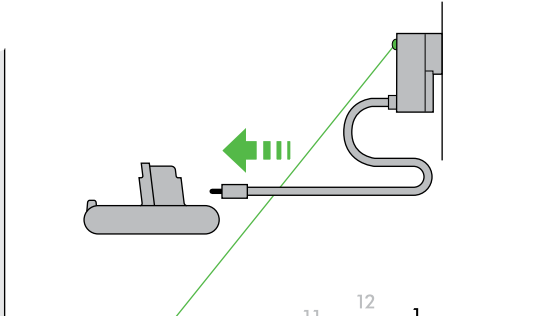
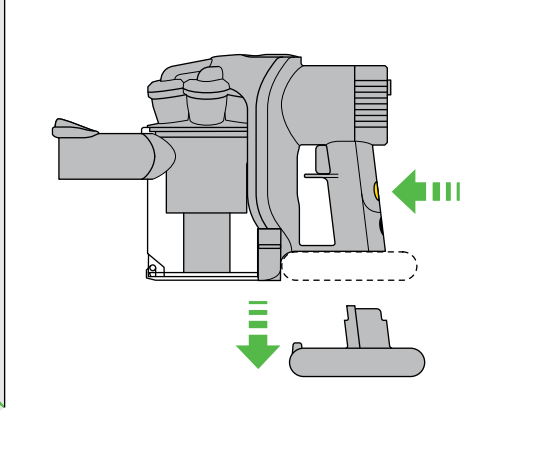
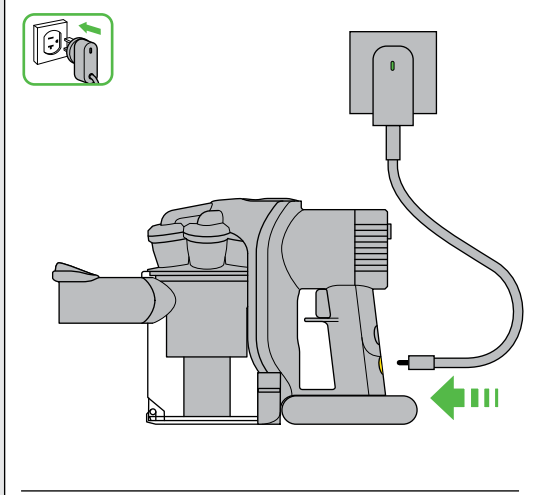








**Emptying the clear bin • Vaciado del compartimiento cubo transparente**



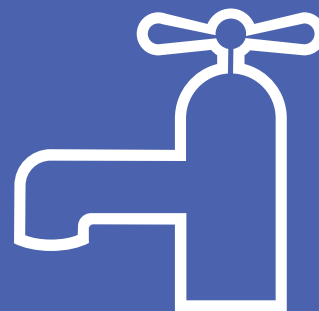
**Charging • Carga de energía**



-  Charging  
Recarga
-  Fully charged  
Totalmente cargada
-  Not charging - check battery  
No carga - revise la batería
-  Not charging - too cold/too hot  
No carga - demasiado frío/  
demasiado caliente

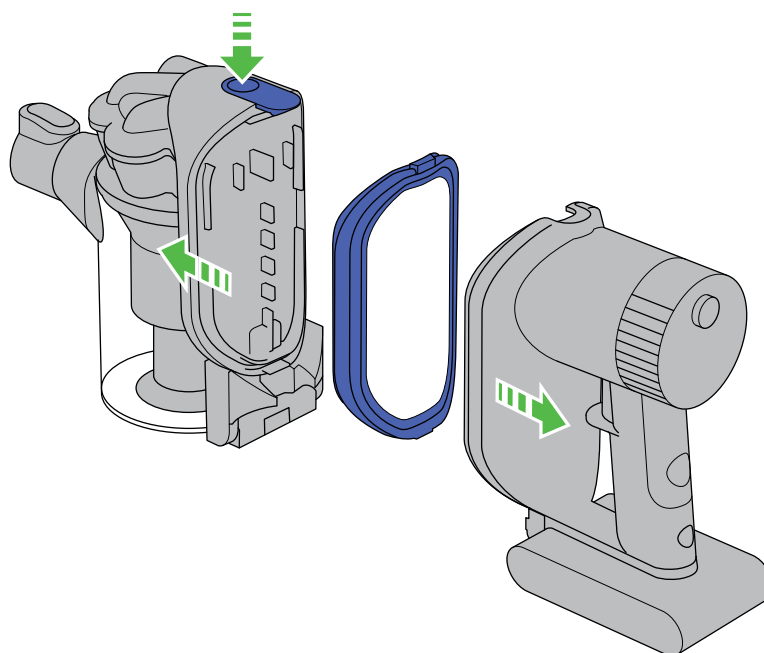
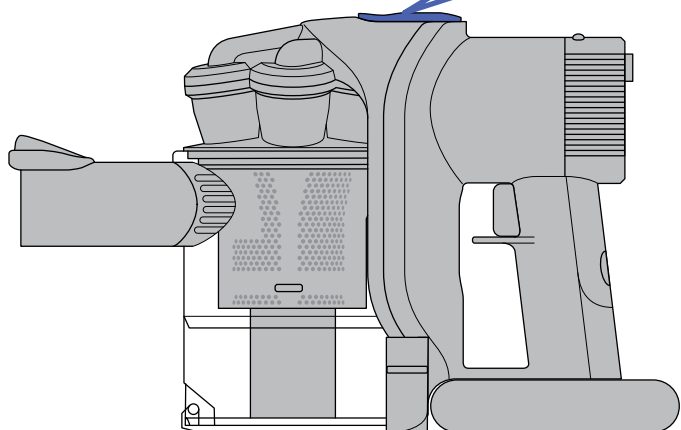
# IMPORTANT! ¡IMPORTANTE!

WASH FILTER  
LAVE EL FILTRO

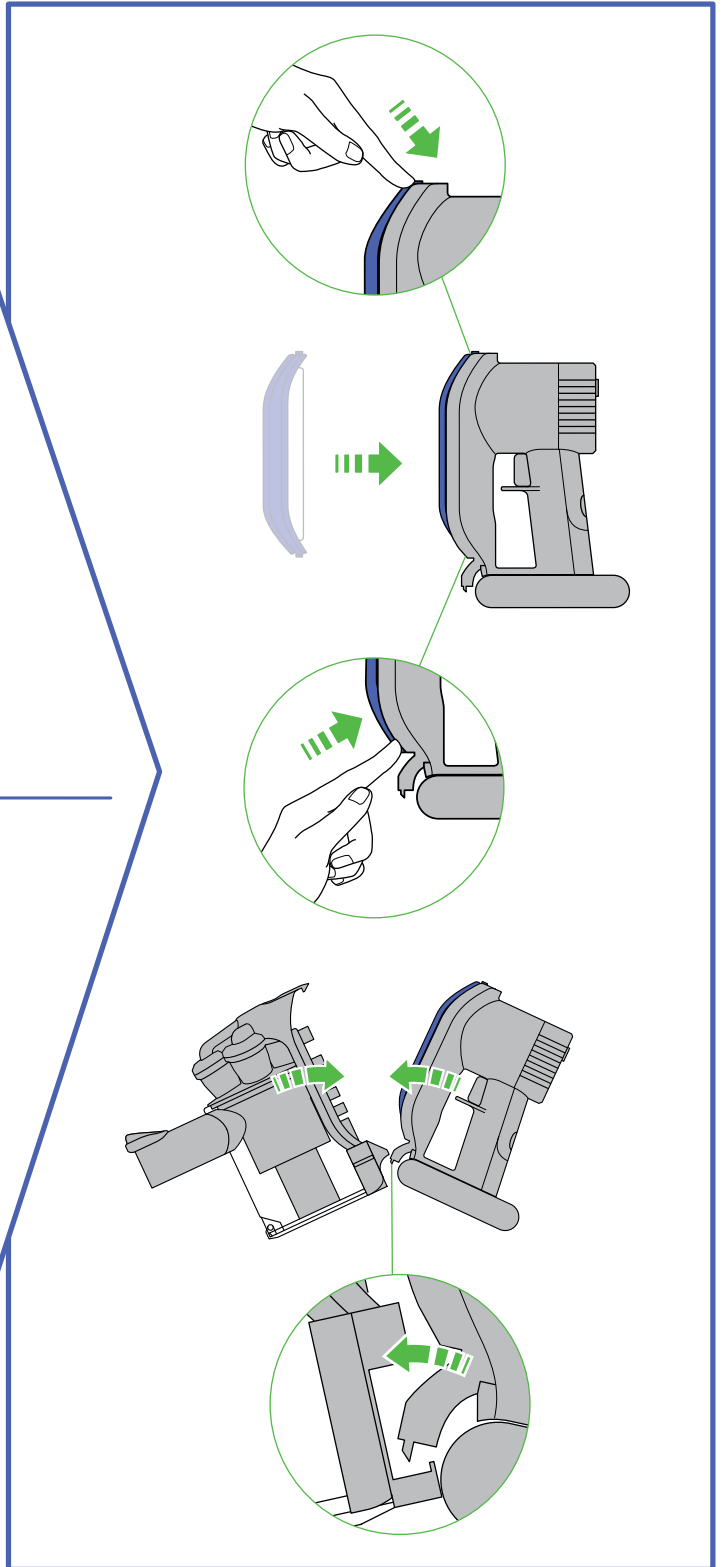
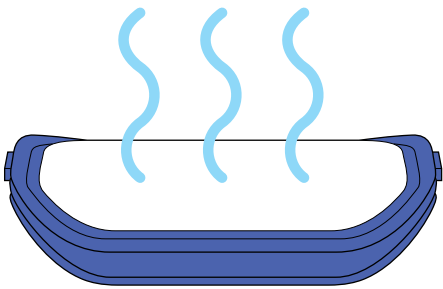
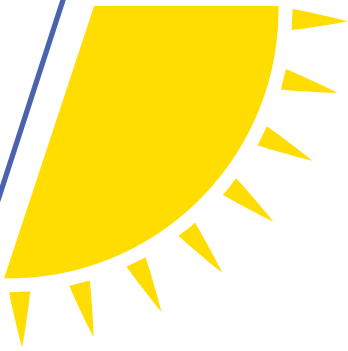
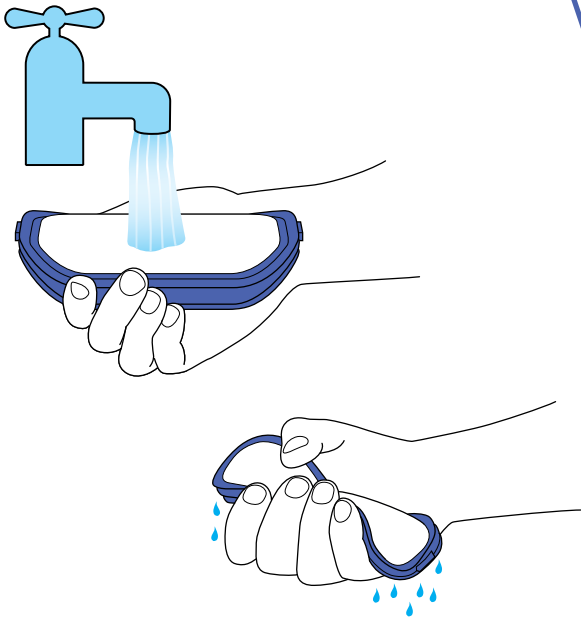


1

month  
mes



Wash filter with cold water at least every month.  
Lave el filtro con agua fría al menos cada mes.



## USING YOUR DYSON HANDHELD VACUUM

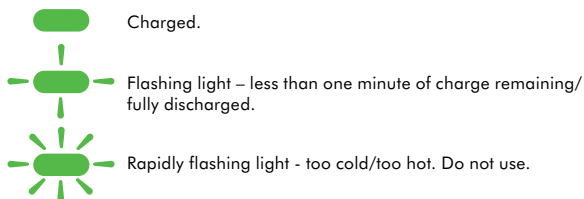
### ⚠ CAUTION:

- Do not allow the Dyson handheld vacuum to be used by anyone who may not be able to operate it safely.
- Be careful not to engage the silver battery release button during normal operation.
- Dirt and debris may be released from the Dyson handheld vacuum if it is turned upside down. Ensure the Dyson handheld vacuum remains upright in use.
- Do not operate the Dyson handheld vacuum while checking for blockages.
- Do not use outdoors or on wet surfaces or to vacuum water or other liquids – electric shock could occur.
- Do not lubricate parts or carry out any maintenance or repair work other than that shown in this Dyson Operating Manual or advised by the Dyson Customer Care Helpline.

### PLEASE NOTE:

- Do not carry out any maintenance or repair work other than that shown in this Dyson Operating Manual or advised by the Dyson Customer Care Helpline.
- This Dyson handheld vacuum is designed for domestic indoor and car use only. Do not use it whilst the car is in motion or while driving.
- Do not use the Dyson handheld vacuum to pick up sharp hard objects, small toys, pins, paper clips, etc. They may damage the Dyson vacuum.
- Do not press down on the nozzle with excessive force when using the Dyson handheld vacuum as this may cause damage.
- If the motor overheats, the Dyson vacuum will cut out automatically. Leave it to cool for at least an hour and check for blockages before restarting.
- Fine dirt such as flour or plaster dust should only be vacuumed in very small amounts.
- Before vacuuming highly polished floors, such as wood or lino, first check that the underside of the floor tool and its bristles are free from foreign objects that could cause marking.
- To avoid damaging the floor do not push hard with the floor tool. Do not leave the cleaner head in one place on delicate floors.
- On waxed floors the movement of the cleaner head may create an uneven luster. If this happens, wipe with a damp cloth, polish the area with wax, and wait for it to dry.
- Consult your flooring manufacturer's recommended instructions before vacuuming and caring for your flooring, rugs, and carpet.
- Do not use any lubricants, cleaning agents, polishes or air fresheners on any part of the Dyson handheld vacuum or charger.
- This Dyson handheld vacuum is fitted with a thermal cut-out. If any part of the Dyson handheld vacuum becomes blocked the machine may overheat and automatically shut off. If this happens, switch 'OFF' the Dyson handheld vacuum and allow to cool before attempting to check the filter or for blockages. Clear any blockages before restarting.
- Store the Dyson handheld vacuum indoors. Do not use or store this Dyson handheld vacuum below 37.5°F (3°C). Ensure that the Dyson handheld vacuum is at room temperature before operating.

## TROUBLESHOOTING – DYSON HANDHELD VACUUM



## EMPTYING THE CLEAR BIN

### ⚠ CAUTION:

- Switch 'OFF' the Dyson handheld vacuum and disconnect from the charger before emptying the clear bin.
- Empty as soon as the dirt reaches the level of the MAX mark – do not overfill.
- To release the dirt, push the red button at the side of the clear bin as shown.
- To minimize dust/allergen contact when emptying, encase the clear bin tightly in a plastic bag and empty. Remove the clear bin carefully and seal the bag tightly, dispose as normal.

### PLEASE NOTE:

- Do not use the Dyson vacuum without the clear bin in place.

## CLEANING THE CLEAR BIN

### ⚠ CAUTION:

- To remove the clear bin, push the red button at the side of the clear bin as you would when emptying the clear bin. Then press the red release button on the underside of the Dyson handheld vacuum as shown.
- Clean the clear bin with cold water only.
- Ensure the clear bin is completely dry before replacing.

### PLEASE NOTE:

- Do not use detergents, polishes or air fresheners to clean the clear bin.
- Do not put the clear bin in a dishwasher.
- Clean the shroud with a cloth or dry brush to remove lint and dirt.

## WASHING YOUR FILTER

### ⚠ CAUTION:

- Switch 'OFF' and disconnect from the charger before removing the filter.

### PLEASE NOTE:

- This Dyson handheld vacuum has one filter, located as shown. It is important to check your filter regularly and wash with cold water at least every month according to instructions, to maintain performance. The filter may require more frequent washing if vacuuming fine dust or if used mainly in 'MIN' power mode.
- After washing please leave for 12 hours to dry completely before refitting to the Dyson handheld vacuum.
- Do not use detergents to clean the filter.

- Do not put the filter in a dishwasher, washing machine, tumble dryer, oven, microwave or near an open flame.

## LOOKING FOR BLOCKAGES

### ⚠ CAUTION:

- Switch 'OFF' the Dyson handheld vacuum and disconnect from the charger before looking for blockages. Failure to do so could result in personal injury.
- Beware of sharp objects when clearing blockages.
- Refit all parts of the Dyson handheld vacuum securely before using.

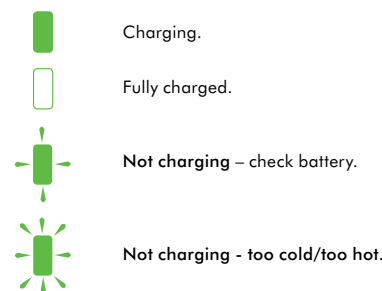
### PLEASE NOTE:

- Clearing blockages is not covered by your Dyson handheld vacuum's limited warranty. If any part of your Dyson handheld vacuum becomes blocked, it may overheat and then automatically shut off.
- Unplug the Dyson handheld vacuum and leave to cool down. Clear blockage before restarting.

## CHARGING AND STORING YOUR DYSON HANDHELD VACUUM

- Your Dyson handheld vacuum will turn off if the battery temperature is below 37.4°F (3°C). This is designed to protect the motor and battery of your product. Do not charge the Dyson handheld vacuum and then move it to an area with a temperature below 37.4°F (3°C) for storage purposes.
- To help prolong battery life, avoid recharging immediately after a full discharge. Allow to cool for a few minutes.
- Avoid using the machine with the battery flush to a surface. This will help it run cooler and prolong battery run time and life.

## TROUBLESHOOTING – CHARGING AND BATTERY



## BATTERY SAFETY INSTRUCTIONS

- The Dyson handheld vacuum must be disconnected from the mains supply when removing the battery. Use only Dyson batteries and charging unit for this Dyson handheld vacuum.
- The battery is a sealed unit and under normal circumstances poses no safety concerns. In the unlikely event that liquid leaks from the battery do not touch the liquid and observe the following precautions:
  - Skin contact – can cause irritation. Wash with soap and water.
  - Inhalation – can cause respiratory irritation. Provide fresh air and seek medical advice.
  - Eye contact – can cause irritation. Immediately flush eyes thoroughly with water for at least 15 minutes. Seek medical attention.
- Disposal – wear gloves to handle the battery and dispose of immediately following local ordinances or regulations.

### ⚠ CAUTION:

The battery used in this device may present a risk of fire or chemical burn if mistreated. Do not disassemble, short contacts, heat above 140°F (60°C), or incinerate. Replace battery with a Dyson battery only: use of any other battery may present a risk of fire or explosion. Dispose of used battery promptly. Keep away from children. Do not disassemble and do not dispose of in fire.

## DYSON CUSTOMER CARE

THANK YOU FOR CHOOSING TO BUY A DYSON HANDHELD VACUUM.

If you have a question about your Dyson handheld vacuum, call the Dyson Customer Care Helpline at 1-866-693-9766 with your serial number and details of where and when you bought the handheld vacuum. The serial number can be found on the main body of the handheld vacuum behind the filter. Most questions can be solved over the phone by one of our Dyson Customer Care Helpline staff. If your handheld vacuum needs service, call the Dyson Customer Care Helpline so we can discuss the available options. If your handheld vacuum is under warranty, and it is a covered repair, it will be repaired at no cost.

## DYSON HELPLINE

Call 1-866-693-9766 toll free, 7 days a week.

## PLEASE REGISTER AS A DYSON HANDHELD VACUUM OWNER

To help us ensure you receive prompt and efficient service, please register as a Dyson handheld vacuum owner. There are three ways to do this:

- Online at [www.dyson.com](http://www.dyson.com)
- By calling the Dyson Customer Care Helpline: 1-866-693-9766.
- By completing and returning the attached Warranty Form to us by mail.

This will confirm ownership of your Dyson handheld vacuum in the event of an insurance loss, and enable us to contact you if necessary.

## 2 YEAR WARRANTY

TERMS AND CONDITIONS OF THE DYSON 2 YEAR LIMITED WARRANTY.



## WHAT IS COVERED

Your Dyson vacuum is warranted against original defects in material and workmanship for a period of two years from the date of purchase, when used for private household purposes in accordance with the Operating Manual. This warranty provides, at no extra cost to you, all labor and parts necessary to ensure your vacuum is in proper operating condition during the warranty period. This limited warranty is subject to the following terms:

## WHAT IS NOT COVERED

Dyson, Inc. shall not be liable for costs, damages or repairs incurred as a result of:

- Handheld vacuums purchased from an unauthorized dealer.
- Reduction in battery discharge time due to battery age or use.
- Clearing blockages from your vacuum.
- Carpet damage due to use not in accordance with flooring manufacturer's instructions.
- Use of parts not in accordance with the Operating Manual.
- Careless operation or handling, misuse, abuse and/or lack of maintenance or use not in accordance with the Operating Manual.
- External sources such as weather.
- Repairs or alterations carried out by unauthorized parties or agents.
- Use of the Dyson handheld vacuum other than for normal domestic purposes within the United States, e.g. for commercial or rental purposes.
- Normal wear and tear, including normal wearing parts such as clear bin, belt, filter, brush bar, hose assembly and power cord (or where external damage or abuse is diagnosed).
- Use of parts and accessories other than those produced or recommended by Dyson, Inc.

## WARRANTY SERVICE

- Please fill out and return the Warranty Form, or register online at [www.dyson.com](http://www.dyson.com).
- Before service can take place, the terms of the limited warranty require that you contact the Dyson Helpline with your model name/number, serial number, date and place of purchase. Please keep your purchase receipt in a safe place to ensure you have this information. The serial number is found on the handheld vacuum's rating plate, which is behind the filter.
- All work will be carried out by Dyson, Inc. or its authorized agents.
- Any replaced defective parts will become the property of Dyson, Inc.
- Service under this warranty will not extend the period of this warranty.
- If your handheld vacuum is not functioning properly, please call the Dyson Helpline at 1-866-693-9766. Most issues can be rectified over the telephone by our trained Customer Care staff. If this is not possible Dyson, Inc. will arrange for your handheld vacuum to be repaired and returned in full working order at no extra cost to yourself.

## WARRANTY LIMITATIONS AND EXCLUSIONS

- Any implied warranties relating to your Dyson handheld vacuum, including but not limited to warranty of merchantability or warranty of fitness for a particular purpose, are limited to the duration of this warranty. This limitation is not allowed by some States and so this limitation may not apply to you.
- Your remedy for breach of this warranty is limited to the warranty service described above. Dyson, Inc. will not be liable for any consequential damages or incidental damages you may incur in connection with your purchase and use of your handheld vacuum. This limitation is not allowed by some States and so this limitation may not apply to you.
- This limited warranty gives you specific legal rights. You may also have other rights which vary by State.
- This limited warranty is not transferable.

## IMPORTANT DATA PROTECTION INFORMATION

Your details will be held by Dyson, Inc. or others on behalf of Dyson, Inc. so that we can assist you more quickly in our Customer Service department. From time to time, Dyson, Inc. may send you special offers and news of our latest innovations. Check the box on the Warranty Form within the Operating Manual if you do not wish to receive marketing or promotional information from Dyson, Inc. For more information about our data collection practices, please refer to the Dyson, Inc privacy policy at [www.dyson.com/privacy](http://www.dyson.com/privacy)

## DISPOSAL INFORMATION

Dyson products are made from high grade recyclable materials. Please dispose of this product responsibly and recycle where possible.

## CONFORMITY INFORMATION

This device complies with Part 15 of the FCC Rules. Operation is subject to the following two conditions: (1) this device may not cause interference, and (2) this device must accept any interference, including interference that may cause undesired operation of the device.

Changes or modifications not expressly approved by the party responsible for compliance could void the user's authority to operate the equipment.

## PRODUCT INFORMATION

Net weight: 1.3kg (2.9lbs)

Please note: Small details may vary from those shown.

## USO DE SU ASPIRADORA PORTÁTIL DYSON

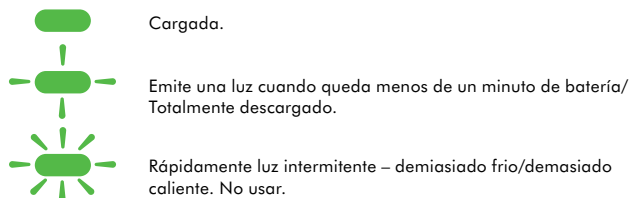
### ⚠ ADVERTENCIA:

- No permita que la aspiradora portátil Dyson sea utilizada por ninguna persona que no sea capaz de hacerlo de forma segura.
- Tenga cuidado de no presionar el botón plateado de apertura de la batería durante el funcionamiento normal.
- No ponga a funcionar la aspiradora portátil Dyson cuando esté verificando posibles obstrucciones.
- No la utilice en exteriores ni sobre superficies mojadas, ni para aspirar agua u otros líquidos, ya que podrían producirse descargas eléctricas.
- No lubrique piezas ni realice ningún tipo de trabajo de mantenimiento o reparación más allá de los mostrados en este manual de funcionamiento Dyson, o los recomendados por la línea de ayuda de servicio al cliente Dyson.

### CONSIDERE LO SIGUIENTE:

- No efectúe ningún trabajo de mantenimiento o reparación distinto al que se indica en este Manual de Funcionamiento o por sugerencia de la línea de ayuda de Dyson.
- La aspiradora portátil Dyson está destinada para uso doméstico y para automóviles. No la use si el carro está en movimiento o mientras maneja.
- No utilice la aspiradora portátil Dyson para aspirar objetos sólidos con filo, juguetes pequeños, alfileres, sujetapapeles, etc. Pueden dañar la aspiradora portátil Dyson.
- No presione la boquilla con demasiada fuerza cuando use la aspiradora portátil Dyson; hacerlo puede ocasionar daños.
- Si el motor se sobrecalienta, la aspiradora portátil Dyson se apagará automáticamente. Déjela enfriar al menos durante una hora y compruebe si tiene obstrucciones antes de ponerla otra vez en funcionamiento.
- La suciedad fina, como el polvo de harina o de yeso, deberá aspirarse sólo en pequeñas cantidades.
- Antes de aspirar pisos muy pulidos, como madera o lino, en primer lugar debe verificar que el lado inferior de la herramienta para pisos y sus cerdas no contengan elementos extraños que puedan dejar marcas.
- Para evitar daños al piso, no ejerza demasiada presión con la herramienta para pisos. No deje el cabezal de la aspiradora en un solo lugar en pisos delicados.
- En pisos encerados, el movimiento del cabezal de la aspiradora puede crear un lustre disparado. Si esto sucede, debe limpiar la zona con un paño húmedo, pulirla con cera y dejarla secar.
- Consulte las instrucciones recomendadas de su fabricante de pisos antes de aspirar y limpiar sus pisos, tapetes y alfombras.
- No utilice ningún lubricante, agente limpiador, pulidor o desodorante de ambiente en ninguna pieza de la aspiradora portátil o el cargador Dyson.
- Esta aspiradora portátil Dyson está equipada con un sistema de corte térmico. Si cualquier pieza de la aspiradora portátil Dyson se bloquea, la máquina puede sobrecalentarse y se apagará automáticamente. Si esto sucede, apague la aspiradora portátil Dyson y permita que se enfríe antes de intentar verificar el filtro o detectar si se produjo alguna obstrucción. Elimine cualquier obstrucción antes de volver a poner en marcha la aspiradora.
- Almacene la aspiradora portátil Dyson en interiores. No utilice ni almacene esta aspiradora portátil Dyson a temperaturas menores a 37.4°F (3°C). Asegúrese de que la aspiradora Dyson se encuentre a temperatura ambiente antes de ponerla en marcha.

## SOLUCIÓN DE PROBLEMAS - ASPIRADORA PORTÁTIL DYSON



## CÓMO VACIAR EL COMPARTIMIENTO CUBO TRANSPARENTE

### ⚠ ADVERTENCIA:

- Apague la aspiradora portátil Dyson y desconéctela del cargador antes de vaciar el compartimiento cubo transparente.
- Vaciela tan pronto el polvo y la basura lleguen al nivel máximo – no la sobrellene.
- Para expulsar la suciedad, presione el botón rojo ubicado al costado del compartimiento cubo transparent, como se muestra.
- Para minimizar el contacto con el polvo y los alérgenos cuando se realice el vaciado, recubra ajustadamente con una bolsa plástica el compartimiento cubo transparent y vacíe. Retire cuidadosamente el compartimiento cubo transparent y selle la bolsa de manera ajustada, y luego deséchela como lo hace normalmente.

### CONSIDERE LO SIGUIENTE:

- No utilice la aspiradora portátil Dyson sin el compartimiento cubo transparent colocado en su lugar.

## LIMPIEZA DEL COMPARTIMIENTO CUBO TRANSPARENT

### ⚠ ADVERTENCIA:

- Para extraer el cubo, pulse el botón rojo situado en un lateral, del mismo modo que cuando lo vacía. De esta forma, el botón rojo de extracción se situará en la parte inferior del asa. Púlselo para extraer el cubo.
- Lave el compartimiento cubo transparent únicamente con agua fría.
- Compruebe que el compartimiento cubo transparente esté totalmente seco antes de volverlo a colocar.

### CONSIDERE LO SIGUIENTE:

- No utilice detergentes, pulidores ni desodorantes de ambiente para limpiar el compartimiento cubo transparent.
- No ponga el compartimiento cubo transparente en una lavadora de platos.
- Limpie la tapa con un paño o cepillo seco para quitar la pelusa y la suciedad.

## CÓMO LAVAR EL FILTRO

### ⚠ ADVERTENCIA:

- Apáguela y desconéctela del cargador antes de quitar el filtro.
- CONSIDERE LO SIGUIENTE:
- Esta aspiradora portátil Dyson posee un filtro, ubicado como se muestra. Es importante verificar su filtro de forma regular y lavarlo con agua fría al menos una vez por mes de acuerdo a las instrucciones, para mantener el rendimiento. El filtro puede requerir lavados más frecuentes si se aspira polvillo fino o si la aspiradora se utiliza principalmente en el modo 'MIN'.
  - Después de cada lavado, debe dejarse secar el filtro por completo durante 12 horas antes de volver a colocarlo en la aspiradora portátil Dyson.
  - No use detergentes para limpiar el filtro.
  - No ponga el filtro en lavaplatos, lavadoras, secadoras, hornos, microondas o cerca de flamas expuestas.

## CÓMO BUSCAR OBSTRUCCIONES

### ⚠ ADVERTENCIA:

- Apague la aspiradora portátil Dyson y desconéctela del cargador antes de inspeccionar posibles obstrucciones.
- Tenga cuidado con los objetos afilados cuando despeje cualquier obstrucción.
- Reinstale de manera segura todas las partes de la aspiradora portátil Dyson antes de volverla a usar.

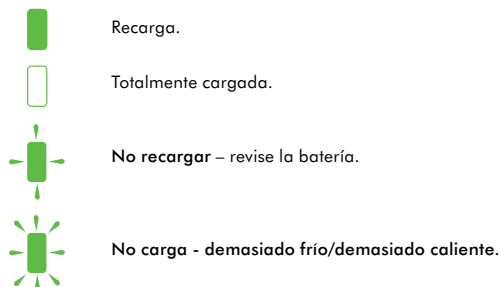
### CONSIDERE LO SIGUIENTE:

- La eliminación de obstrucciones no se contempla en la cobertura de garantía limitada de su aspiradora portátil Dyson. Si cualquier parte está bloqueada, su aspiradora portátil Dyson podría sobrecalentarse y se apagará automáticamente.
- Desconecte la aspiradora portátil Dyson y déjela enfriar. Elimine el bloqueo antes de ponerla otra vez en funcionamiento.

## RECARGA Y ALMACENAMIENTO DE SU ASPIRADORA PORTÁTIL DYSON

- Su aspiradora portátil Dyson se apagará si la temperatura de la batería es menor a 37.4°F (3°C). Está diseñada para proteger el motor y la batería de su producto. No recargue la aspiradora portátil Dyson para luego almacenarla en un área con temperatura por debajo de 37.4°F (3°C).
- Para ayudar a prolongar la vida útil de la batería, evite recargarla inmediatamente después de que esté totalmente descargada. Permita que se enfríe durante algunos minutos.
- Evite utilizar la máquina con la batería al nivel de una superficie. Esto ayudará a que funcione a una temperatura más baja y prolongará el tiempo de funcionamiento y la vida útil de la batería.

## REPARACIÓN DE AVERÍAS – RECARGA Y BATERÍA



## INSTRUCCIONES DE SEGURIDAD DE LA BATERÍA

- La aspiradora portátil Dyson debe estar desconectada de la fuente de alimentación principal al retirar la batería. Use solamente las baterías Dyson y el cargador de esta aspiradora portátil Dyson. La batería es una unidad sellada y en situaciones normales no implica riesgos de seguridad. En el evento improbable de que la batería drene líquido, no toque el líquido y tome las siguientes precauciones:
- Contacto con la piel: puede ocasionar irritación. Lave con jabón y agua.
- Inhalación: puede ocasionar irritación respiratoria. Provea aire fresco y busque asistencia médica.
- Contacto con los ojos: puede ocasionar irritación. Lave perfectamente los ojos de inmediato con agua durante por lo menos 15 minutos. Busque atención médica.
- Eliminación: use guantes para manipular la batería y elimínela inmediatamente de acuerdo con las ordenanzas o normativas locales.

### ⚠ ADVERTENCIA:

- El maltrato a la batería que usa este aparato puede representar un riesgo de incendio o quemadura química. No la desarme, no provoque cortos, no la caliente a más 140°F (60°C) ni la incinere. Reemplace la batería sólo con una batería de Dyson, usar cualquier otro tipo de batería puede representar un riesgo de incendio o explosión. Elimine rápidamente la batería usada. Manténgala lejos del alcance de los niños. No la desarme ni la arroje al fuego.

## SERVICIO DE ATENCIÓN AL CLIENTE DYSON

GRACIAS POR ELEGIR COMPRAR UNA ASPIRADORA PORTÁTIL DYSON

Si tiene alguna duda acerca de su aspiradora portátil Dyson, llame a la línea de ayuda de Dyson al 1-866-693-9766 con el número de serie e información de cuándo y dónde compró el producto. Encontrará el número de serie en la placa de datos de calificación que se encuentra detrás del filtro. Si tiene más preguntas, puede consultar por teléfono a algún miembro de la línea de ayuda. Si su aspiradora portátil necesita reparación llame a la Línea de ayuda de Dyson para poder analizar las opciones disponibles. Si su aspiradora portátil tiene garantía y la reparación necesaria está incluida dentro de esa garantía, se reparará sin costo alguno.

## LÍNEA DIRECTA DE ASISTENCIA AL CLIENTE DE DYSON

Llame al 1-866-693-9766, gratis, los 7 días de la semana.

## POR FAVOR REGÍSTRESE COMO PROPIETARIO DE UNA ASPIRADORA DYSON

Para ayudarnos a asegurarle que reciba un servicio rápido y eficaz, por favor regístrese como propietario de una aspiradora portátil Dyson. Hay dos maneras de hacerlo:

- En línea en [www.dyson.com](http://www.dyson.com)
- Llamando gratis a la línea de ayuda de Dyson: 1-866-693-9766.
- Completando y enviándonos por correo el formulario que se adjunta.
- Esto confirmará que la aspiradora portátil Dyson es de su propiedad en caso de que ocurra una pérdida cubierta por el seguro, y nos permitirá contactarle si fuese necesario.

## 2 AÑOS DE GARANTÍA

TÉRMINOS Y CONDICIONES DE LA GARANTÍA LIMITADA DE 2 AÑOS DE DYSON.

## QUÉ ESTÁ CUBIERTO

Su aspiradora Dyson está garantizada contra defectos originales de material o mano de obra por un período de dos años a partir de la fecha de compra, cuando se utilice para fines domésticos privados y de acuerdo con el Manual de Instrucciones de Dyson. Esta garantía proporciona, sin costo para usted, toda la mano de obra y piezas para poner su aspiradora en perfectas condiciones de funcionamiento durante el plazo de garantía. Esta garantía está sujeta a los siguientes términos:

## QUÉ NO ESTÁ CUBIERTO

Dyson, Inc. no será responsable de los costos incurridos como resultado de:

- Aspiradoras compradas a proveedores no autorizados.
- La reducción del tiempo de descarga de la batería es debida a la antigüedad de la batería o uso.
- Eliminar obstrucciones de su máquina.
- Daño a la alfombra debido al uso no de acuerdo con las instrucciones del fabricante.
- El uso de piezas que no estén contempladas en el Manual de Instrucciones.
- El funcionamiento o manejo descuidado, uso indebido y/o falta de mantenimiento o el uso de forma contraria al Manual de Instrucciones.
- Factores externos, como por ejemplo el clima.
- Reparaciones o alteraciones llevadas a cabo por partes o agentes no autorizados.
- El uso de la aspiradora portátil Dyson contrario a los usos domésticos normales dentro de los Estados Unidos de América, por ejemplo, para el uso comercial alquiler.
- Uso y desgaste normal, incluido desgaste normal de partes como cubo transparente banda, filtro, cepillo, ensamble de la manguera, y cable de corriente (o donde se diagnostique daño o abuso externo).
- El uso de piezas y accesorios que no sean los producidos o recomendados por Dyson, Inc.

## SERVICIO DE GARANTÍA

- Por favor complete y devuelva el Formulario de registro del producto, o regístrese en línea en [www.dyson.com](http://www.dyson.com).
- Antes de poder realizar el servicio, los términos de la garantía exigen que se ponga en contacto con la Línea Directa de Asistencia al Cliente de Dyson y que proporcione el nombre/número del modelo, número de serie, y la fecha y sitio de compra. Por favor mantenga la factura de compra en un sitio seguro para asegurarse de tener esta información. El número de serie se encuentra en la placa de calificación de la aspiradora, que se encuentra en el cuerpo principal de la máquina, detrás del filtro.
- Todo el trabajo lo llevará a cabo Dyson, Inc. o sus agentes autorizados.
- El cambio de cualquier pieza defectuosa no extenderá el período de la misma.
- El servicio según esta garantía no extenderá el período de esta garantía.
- Si su aspiradora portátil no funciona correctamente, por favor llame a la Línea Directa de Asistencia al Cliente de Dyson por el 1-866-693-9766. La mayoría de los problemas pueden solucionarse por teléfono a través de nuestro personal capacitado en atención al cliente. Si esto no es posible, Dyson, Inc. hará que se repare y se le devuelva su aspiradora portátil en perfectas condiciones sin costo adicional para usted.

## LIMITACIONES Y EXCLUSIONES DE LA GARANTÍA

- Cualquier garantía implícita relacionada con su aspiradora portátil Dyson, incluyendo pero sin limitarse a una garantía de comerciabilidad o garantía de idoneidad para un propósito en particular, se limita a la duración de esta garantía. Esta limitación no está permitida por algunos estados, por lo que esta limitación puede no aplicarse a usted.
- El recurso por el incumplimiento de esta garantía se limita al servicio de garantía descrito anteriormente. Dyson, Inc. no será responsable de ningún daño consecuente o incidental en el que se pueda incurrir en conexión con la compra y uso de su aspiradora portátil. Esta limitación no está permitida por algunos estados, por lo que esta limitación puede no aplicarse a usted.
- Esta garantía limitada le otorga derechos legales específicos. Usted podría también tener otros derechos los cuales varían de acuerdo al estado.
- Esta garantía le otorga derechos legales específicos.

## INFORMACIÓN IMPORTANTE PARA LA PROTECCIÓN DE DATOS

Dyson, Inc. o terceros a nombre de Dyson, Inc. mantendrán sus detalles para poder asistirle más rápidamente en nuestro departamento de Atención al Cliente. De vez en cuando, Dyson, Inc. puede enviarle ofertas especiales y noticias sobre nuestras últimas innovaciones. Marque la casilla correspondiente en el Formulario de garantía dentro del Manual de Funcionamiento en caso de que no desee recibir información comercial o promocional de Dyson, Inc. Para obtener más información sobre nuestras prácticas de obtención de datos, consulte las normas de privacidad de Dyson, Inc. en [www.dyson.com/privacy](http://www.dyson.com/privacy).

## INFORMACION DE DESECHO

Productos Dyson están hechos de materiales reciclables de alta calidad. Por favor, deseché este producto de manera responsable y reciclar en lo posible.

## INFORMACIÓN DE CONFORMIDAD

Este dispositivo cumple con el artículo 15 de las Normas FCC. Su operación está sujeta a las siguientes dos condiciones: (1) Este dispositivo no debería provocar interferencia, y (2) este dispositivo debe aceptar cualquier interferencia recibida, incluyendo la que podría causar una operación indeseada.

Cambios o modificaciones no aprobados por el grupo responsable de las reglas de conformidad puede invalidar la autoridad del usuario en la operación del equipo.

## INFORMACIÓN DEL PRODUCTO

Peso neto: 1.3kg (2.9lbs)

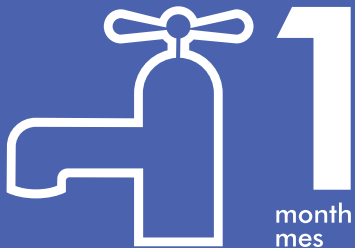
Recuerde: El producto puede diferir en algunos pequeños detalles en comparación con las ilustraciones.





# IMPORTANT! ¡IMPORTANTE!

## WASH FILTER LAVE EL FILTRO



Wash filter with cold water at least every month.  
Lave el filtro con agua fría al menos cada mes.



### **Dyson Customer Care**

If you have a question about your Dyson handheld vacuum, call the Dyson Customer Care Helpline with your serial number and details of where and when you bought the Dyson handheld vacuum, or contact us via the Dyson website. The serial number can be found on the main body of the Dyson handheld vacuum behind the filter.

Dyson Customer Care  
1-866-693-9766  
Toll free, 7 days a week.

Servicio de atención al cliente Dyson  
1-866-693-9766  
Llamada gratuita, 7 días de la semana.



# WARRANTY FORM CONTINUED CONTINUACIÓN DEL FORMULARIO DE GARANTÍA

Please take a few moments to answer our questions.  
They will help us develop new products for the future.

Tómese unos instantes para responder a nuestras preguntas.  
Esto nos ayudará a desarrollar nuevos productos en el futuro.

1. Why did you decide to buy a Dyson vacuum?

- Cleaning performance
- Advanced Technology/ Features
- Style / Design
- Warranty
- Recommendation
- Promotion
- No loss of suction
- Asthma and allergy certification
- HEPA filtration

2. Do you own pets?

- Cat / Dog
- Other
- None

3. Would you like to hear about future asthma and allergy related initiatives or product development at Dyson?

- Yes
- No

1. ¿Por qué decidió comprar una aspiradora Dyson?

- Capacidad de limpieza
- Tecnología avanzada / Funciones
- Estilo / Diseño
- Garantía
- Recomendación
- Promoción
- No pierde succión
- Certificación para asma y alergia
- Filtro HEPA

2. ¿Tiene mascotas?

- Gato / Perro
- Otra
- Ninguna

3. ¿Le gustaría saber sobre el desarrollo de productos o las futuras iniciativas en cuanto a asma y alergia en Dyson?

- Sí
- No

THANK YOU FOR YOUR TIME • GRACIAS POR DEDICARNOS SU TIEMPO



