

dyson

Owner's Manual

Please read this guide carefully before using your DCO7



DC  
O7

# IMPORTANT SAFETY INSTRUCTIONS

When using an electrical appliance, basic precautions should always be followed, including the following:

**READ ALL INSTRUCTIONS  
BEFORE USING THIS  
VACUUM CLEANER**

## SAVE THESE INSTRUCTIONS

**THIS APPLIANCE IS INTENDED  
FOR HOUSEHOLD USE ONLY**

### **Polarization instructions**

To reduce the risk of electric shock, this appliance has a polarized plug (one blade is wider than the other). This plug will fit in a polarized outlet only one way. If the plug does not fit fully in the outlet, reverse the plug. If it still does not fit, contact a qualified electrician to install the proper outlet. Do not change the plug in any way.

## WARNING

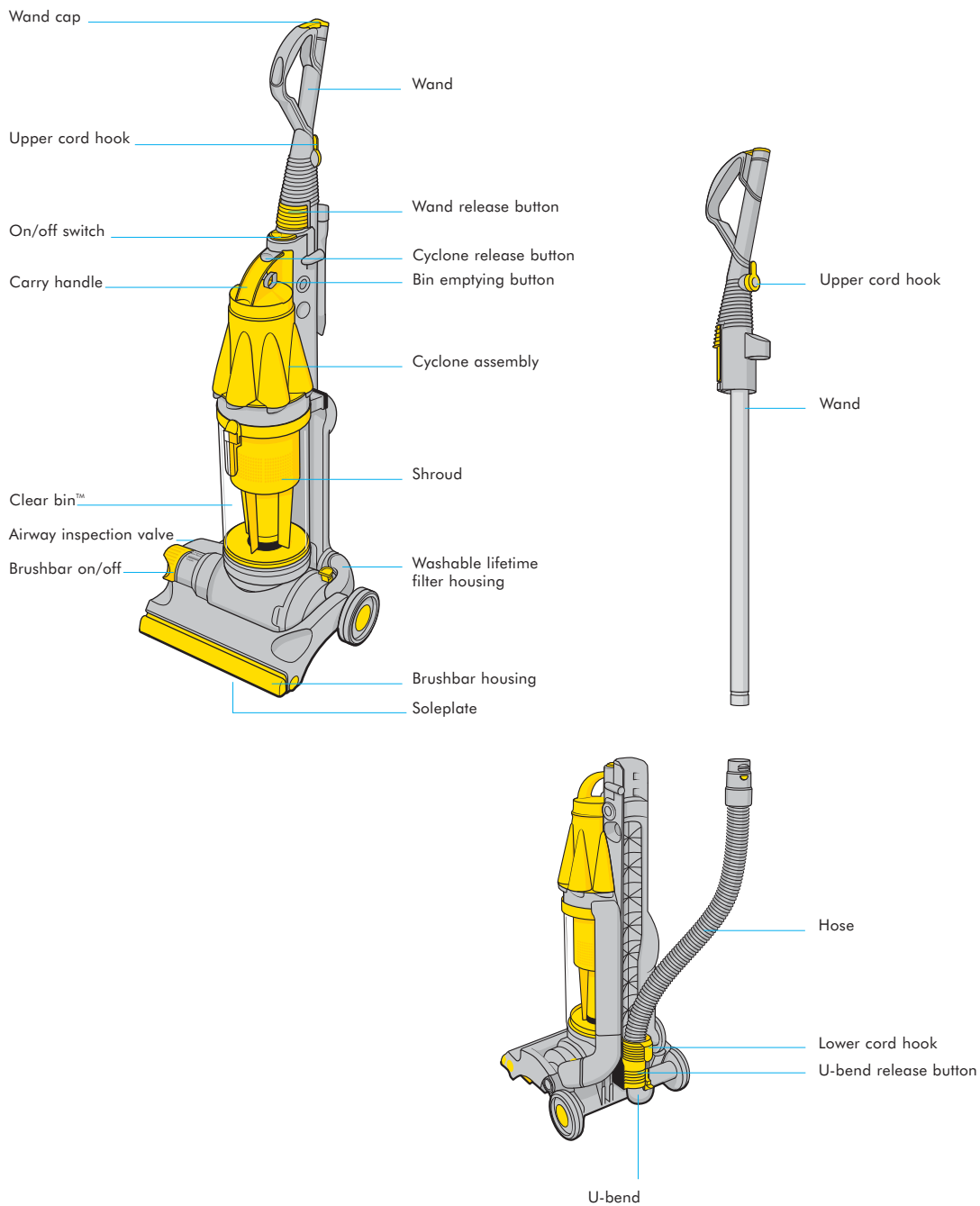
**TO REDUCE THE RISK OF FIRE, ELECTRIC SHOCK, OR INJURY:**

- 1 Do not leave appliance when plugged in. Unplug from electrical outlet when not in use and before servicing.
- 2 Do not use outdoors or on wet surfaces or to vacuum water or other liquids – electric shock and personal injury could occur.
- 3 Do not allow to be used as a toy. Close attention is necessary when used by or near children.
- 4 Do not allow use by anyone unable to operate the vacuum properly.
- 5 Use only as described in this manual. Use only with Dyson-recommended attachments, accessories, and replacement parts.
- 6 Check to ensure your electricity supply corresponds to that shown on the rating plate, which can be found on the base of the machine between the wheels. The machine must only be used as rated.
- 7 If the machine is not functioning properly, has been dropped, damaged, left outdoors, or immersed in liquid, contact the Dyson Helpline at 1-866-693-9766.
- 8 Do not use with a damaged cord or plug; do not pull or carry by the cord; do not use the cord as a handle; do not close a door on the cord or pull the cord around sharp edges or corners. Do not run the machine over the cord. Keep the cord away from heated surfaces and open flames.
- 9 Do not unplug by pulling on the cord. To unplug, grasp the plug, not the cord.
- 10 Do not handle the plug or machine with wet hands.
- 11 Do not use the machine without the clear bin™ and the filters in place.
- 12 Do not put any objects into openings in the machine. Do not use with any opening blocked; keep free of dust, lint, hair, and anything that may reduce air flow.
- 13 Keep hair, loose clothing, fingers, and all parts of body away from openings in the machine and moving parts such as the brushbar.
- 14 Do not use the machine to pick up sharp hard objects, small toys, pins, paper clips, etc. They may damage the machine.
- 15 The use of an extension cord is not recommended.
- 16 Store the machine indoors. Put the machine away after use with the cord wrapped safely to prevent tripping accidents.
- 17 Turn off all controls before unplugging.
- 18 Take extra care when cleaning on stairs; always work with the machine at the bottom of the stairs. Keep vacuum on the floor. Do not put on chairs, tables, etc.
- 19 Do not pick up anything that is burning or smoking, such as cigarettes, matches, or hot ashes.
- 20 Do not use to pick up flammable or combustible liquids, such as gasoline, or use in areas where they may be present.
- 21 When vacuuming, certain carpets may generate small static charges in the clear bin™ or wand. These are not associated with the electricity supply. To minimize any effect from this, do not put your hand or insert any object into the clear bin™ unless you have first emptied it and rinsed it out with cold water.
- 22 Do not carry out any maintenance or repair work other than that shown in this manual or advised by the Dyson Helpline.
- 23 Consult your flooring manufacturer's instructions before vacuuming and caring for your flooring, rugs, and carpets. Some carpets will fuzz if a rotating brushbar is used when vacuuming. If this happens we recommend vacuuming in bare floors mode and consulting with your flooring manufacturer.

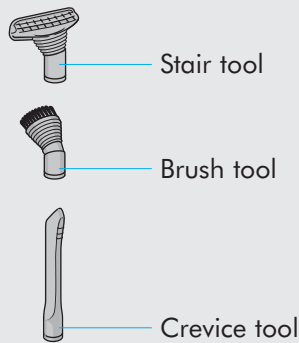
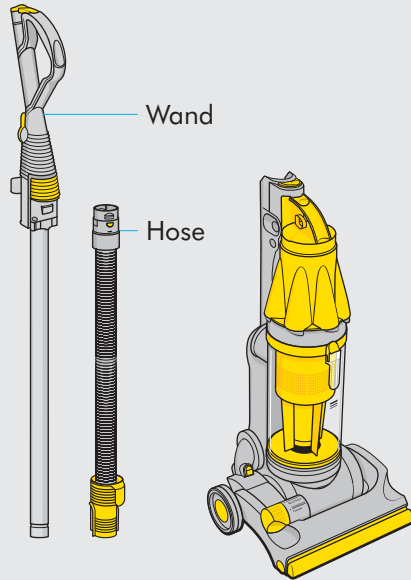
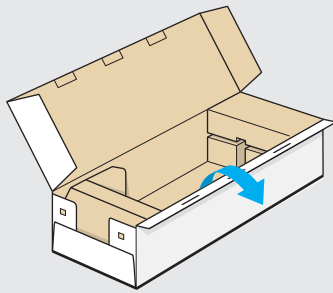
# Owner's Manual

Please read this guide carefully before use.

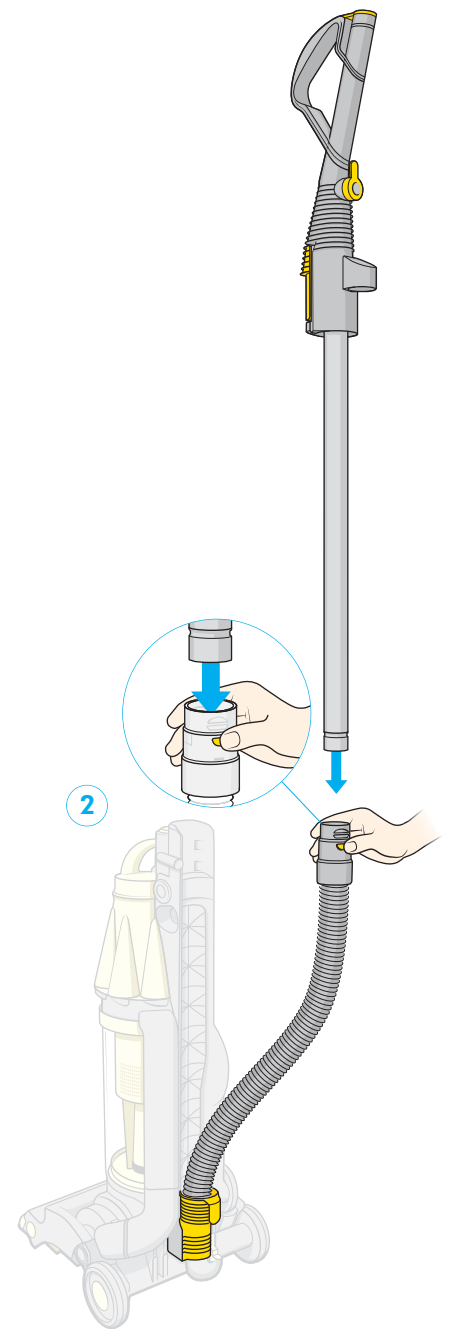
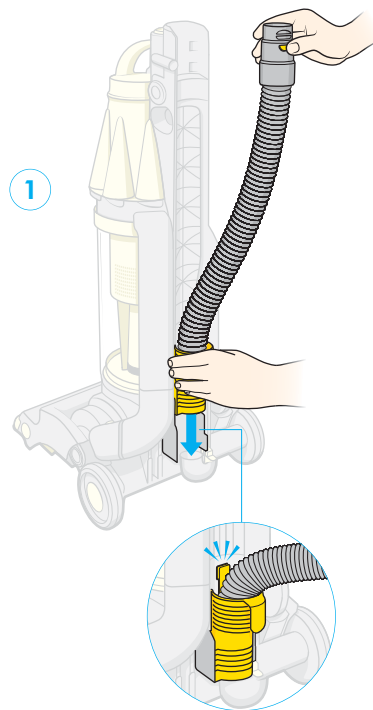
Important safety instructions	Page 2
Assembling	4
Using your DCO7	6
Washing your filter	8
Using the tools	10
Emptying the Clear bin™	12
Clearing blockages	14
Using and maintaining optional accessories	16
Troubleshooting tips	18
Limited warranty and Customer care	19



## Box contents



Additional accessories may be included with some models.



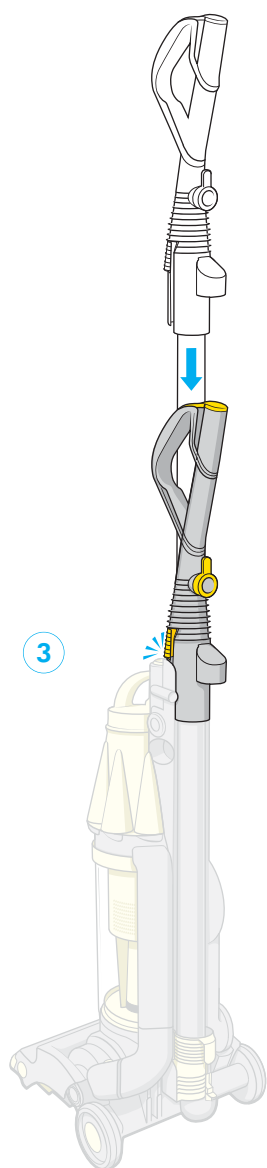
### Assembling your DCO7

This machine was inspected and packaged carefully before being shipped from the factory.

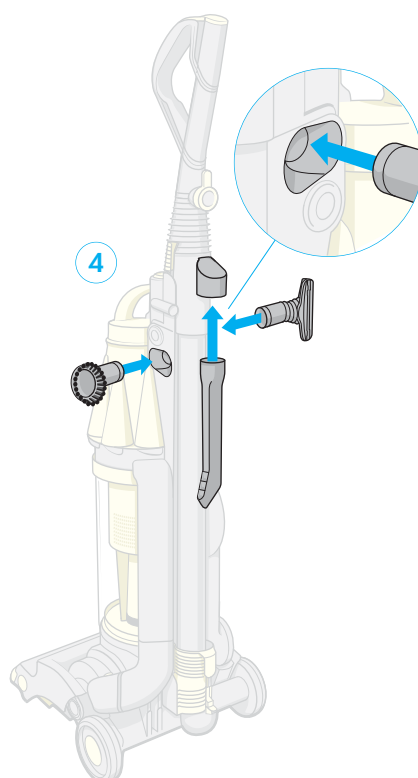
If you need assistance during assembly or operation, please call the Dyson Helpline at 1-866-693-9766.

- 1 Slide the hose into the guides at the back of the machine, and click into place.

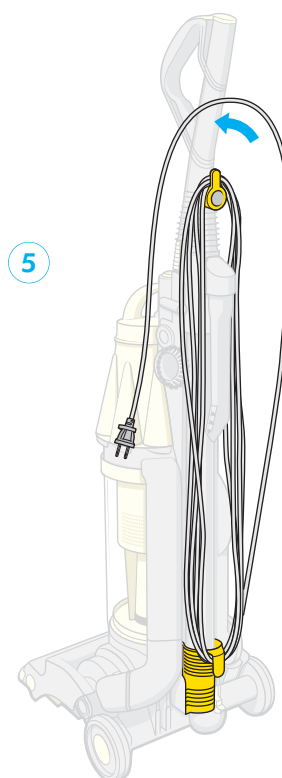
- 2 While pressing the hose release button, slide the wand down **inside** the hose.



- 3** Slide the wand into the top of the machine until it clicks securely into place. You may need to press firmly and should hear a 'click' sound.



- 4** Push the brush and stair tools securely into the storage holes on either side of machine. Fit the crevice tool into the tool clip on the back of the wand.



- 5** Store the cord safely by winding it counter-clockwise around the cord winders and securing with the cord clip.

**tip** To quickly release cord, rotate upper cord hook downward. Twist back up before rewinding cord.

## Using your DCO7

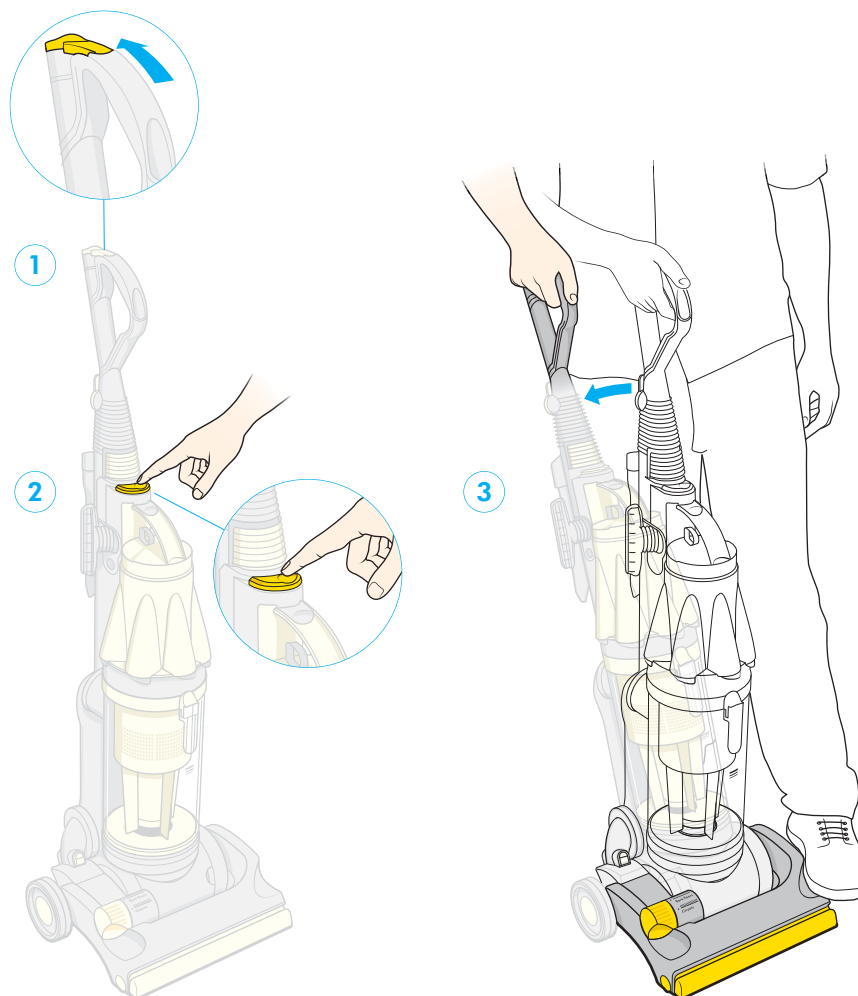
### **!** WARNING

- This machine is intended for domestic use only. Fine dust such as plaster dust or flour should only be vacuumed in small amounts.
- Consult your flooring manufacturer's instructions before vacuuming your flooring, rugs and carpets. Some carpets will fuzz if a rotating brushbar is used when vacuuming. If this happens we recommend vacuuming in bare floors mode and consulting with your flooring manufacturer.

### **!** CAUTION

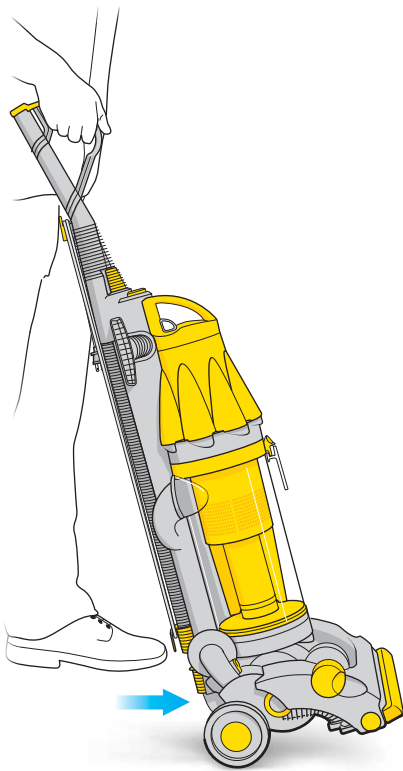
- Keep hair, loose clothing, fingers, and all parts of the body away from openings and moving parts.
- This machine is fitted with a belt protection system. If any item becomes caught in the brushbar (e.g., rug fringe), you will hear a loud "ratcheting" warning noise. To rectify, turn the machine off, disconnect from the electrical outlet, and clear any obstruction (see page 14), checking that the brush control is set to the correct position for the floor surface before re-starting the machine.

**tip** The ratcheting noise may also occur if your carpet or area rug is not adequately attached to the floor. If this happens you should vacuum in bare floors mode.



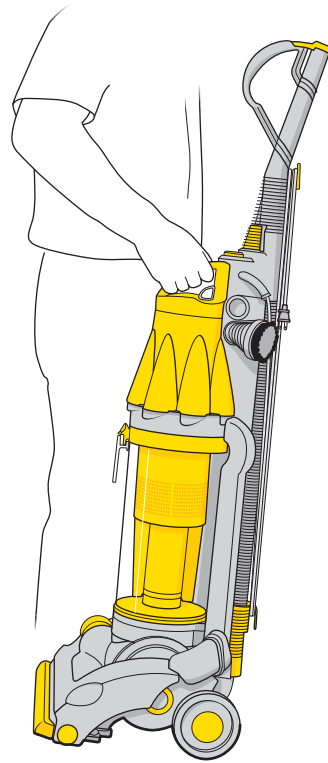
### Switching on/off

- 1 Make sure you have read and understood all safety instructions before using the machine for the first time. The wand cap should be closed when not using the tools.
- 2 Plug into electrical outlet and press the on/off switch.
- 3 To start vacuuming, push the front of the cleaner head down with your foot and tilt the handle backward.



### Transporting your Dyson

To move the machine from room to room, ensure it is upright, with the cord stored on the cord winders and the wand securely in place. Tilt back on the rear wheels and push forward.

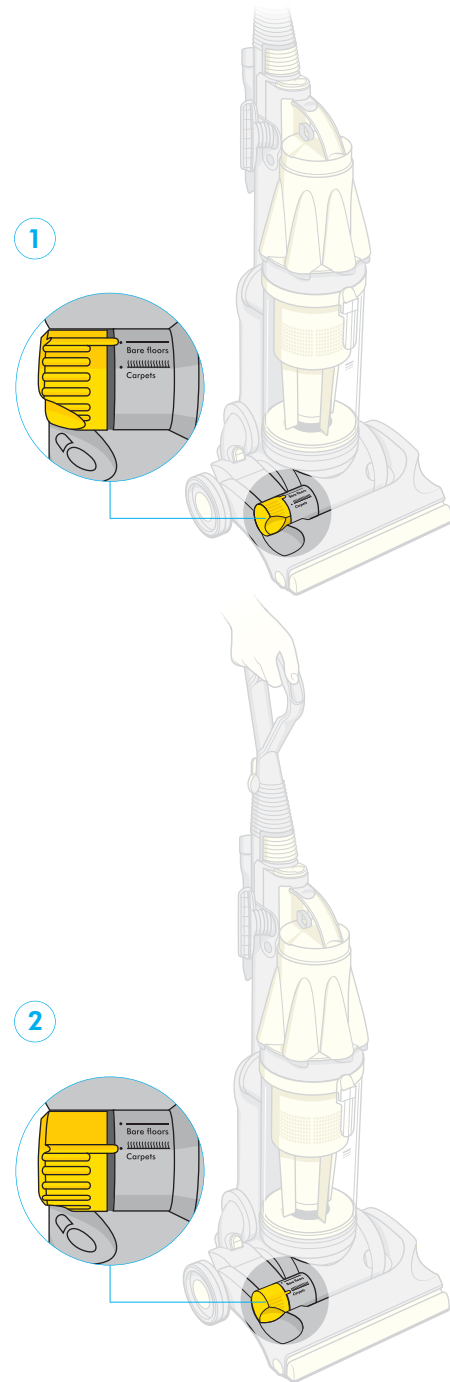
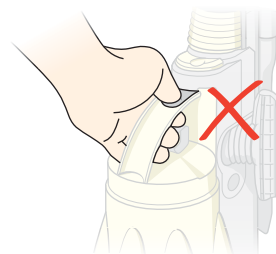


### Carrying your DCO7

Your DCO7 should be lifted by using the carry handle.

#### **!** CAUTION

- Do not shake the machine when carrying.
- For your safety **do not** press the cyclone release catch when carrying your machine.



### Brush control system

Ensure the machine is in an upright position before adjusting the setting.

#### 1 Bare floors

Use this setting to stop brushbar from turning when vacuuming bare floors and delicate floors, rugs, and carpets.

#### 2 Carpets

Use this setting so brushbar turns when vacuuming non-delicate surfaces.

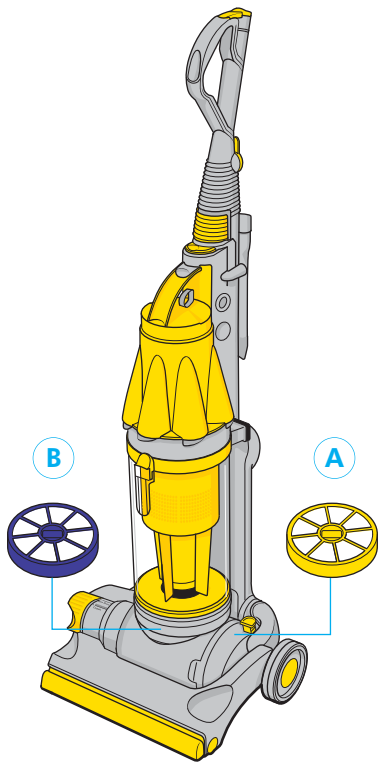
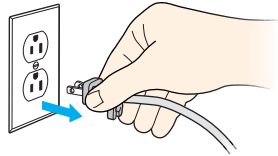
**tip** The brushbar will not turn until you tilt the handle backward to begin vacuuming.



## Washing your filter

### ⚠ CAUTION

- Turn power off and unplug before washing filter. Failure to do so could result in electric shock or personal injury.



#### A Lifetime washable filter

### ⚠ IMPORTANT

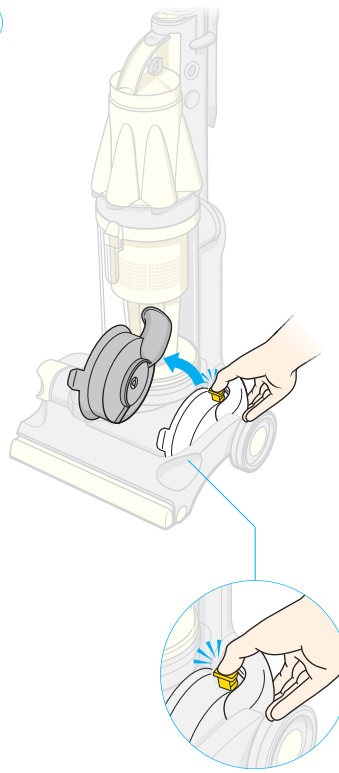
Check your washable filter regularly and wash at least every 6 months according to instructions to maintain performance.

#### B Lifetime HEPA filter

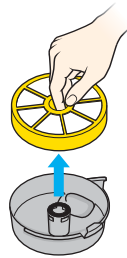
This is a permanent lifetime filter. Do not remove or attempt to rinse this filter.

**tip** The filter may require more frequent washing based on individual vacuuming habits, check regularly.

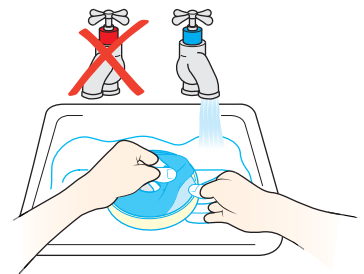
1



2



3



#### Removing washable filter

- 1 Press the filter release catch to remove the filter housing from the machine.
- 2 Remove the filter from the housing.

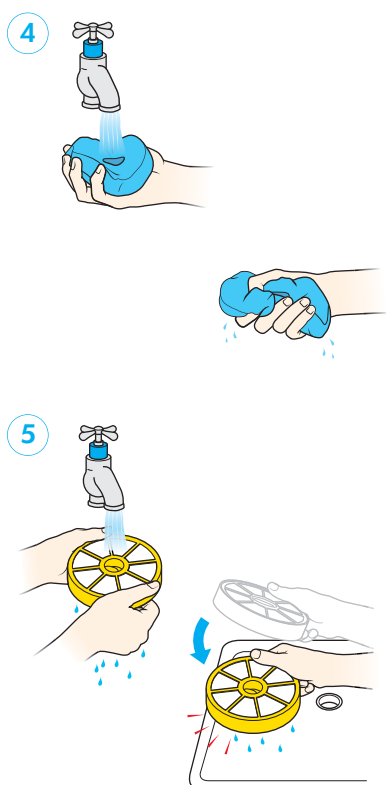
Only the blue foam pad and the yellow case should be rinsed – do not wash the filter housing.

- 3 Submerge the foam pad and case in cold water and rinse thoroughly.

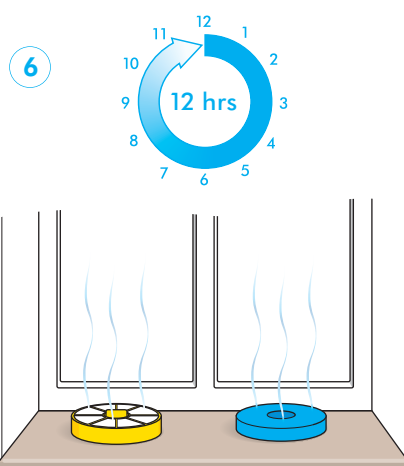
### ⚠ CAUTION

- Rinse in cold water only.
- Do not use detergent.
- Do not put in a washing machine or dishwasher.





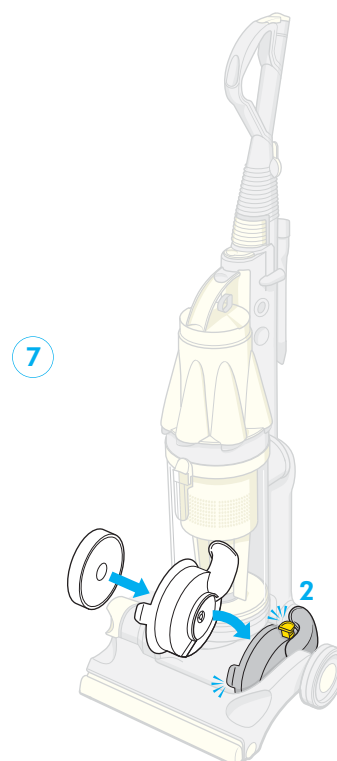
- 4** Rinse the blue foam pad and squeeze gently, repeating until the water runs clear.
- 5** Rinse the yellow case and tap firmly, repeating until the water runs clear.



- 6** Leave in a warm place to dry for 12 hours. Make sure the filter is completely dry before replacing in the machine.

**⚠ CAUTION**

- Do not dry in an oven or microwave.
- Do not dry in a clothes dryer.
- Do not dry near an open flame.



- 7** When the blue foam pad and yellow case are completely dry, place the foam pad in the case and replace in the filter housing. Click back into machine, pressing points 1 and 2 firmly to secure.

**⚠ CAUTION**

- Do not use the machine without the filter in place.

## Using the tools

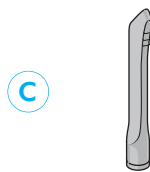
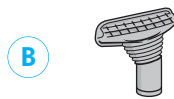
### Choosing the right tool

The tools allow you to clean surfaces above the floor and to reach hard to clean areas. Ensure the machine is in an upright position before using tools.

- A Brush tool** – with soft bristles to dislodge dust and cobwebs. Can be used to clean vents and some furniture.
- B Stair tool** – with velour strips to pick up hairs and an agitating edge to lift the carpet. Can be used to clean stairs and upholstery.
- C Crevice tool** – reaches deep into nooks and crannies. Can be used to clean along baseboards and in tight spaces.

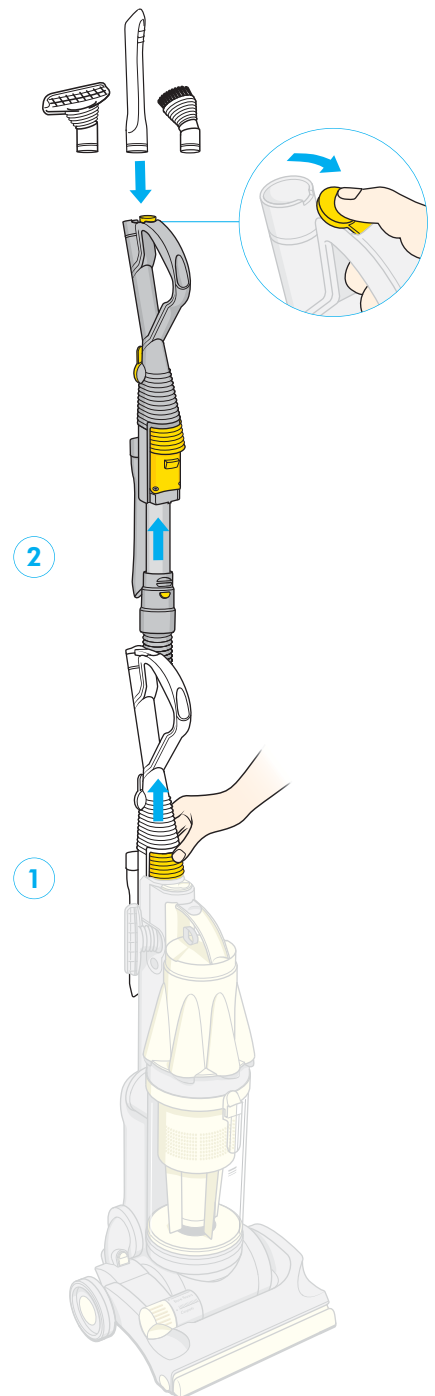
### CAUTION

Do not use your vacuum cleaner outdoors or on wet surfaces. Vacuum may be used inside a garage only when used with the Model 08909 Dyson Car Cleaning Kit accessories. If used in a garage, care should be taken to wipe the soleplate and wheels with a dry cloth after vacuuming to clean off any sand, dirt, or pebbles that could damage delicate floors.



### How to clean your tools

The brush tool, stair tool, and crevice tool may be washed in warm water with a detergent. Rinse and air dry thoroughly before using. You may wipe the outside of the floor tool or turbo tool/mini turbine head with a damp cloth, but do not submerge in water. Do not attempt to clean any tools when they are attached to the machine.



### Attaching tools

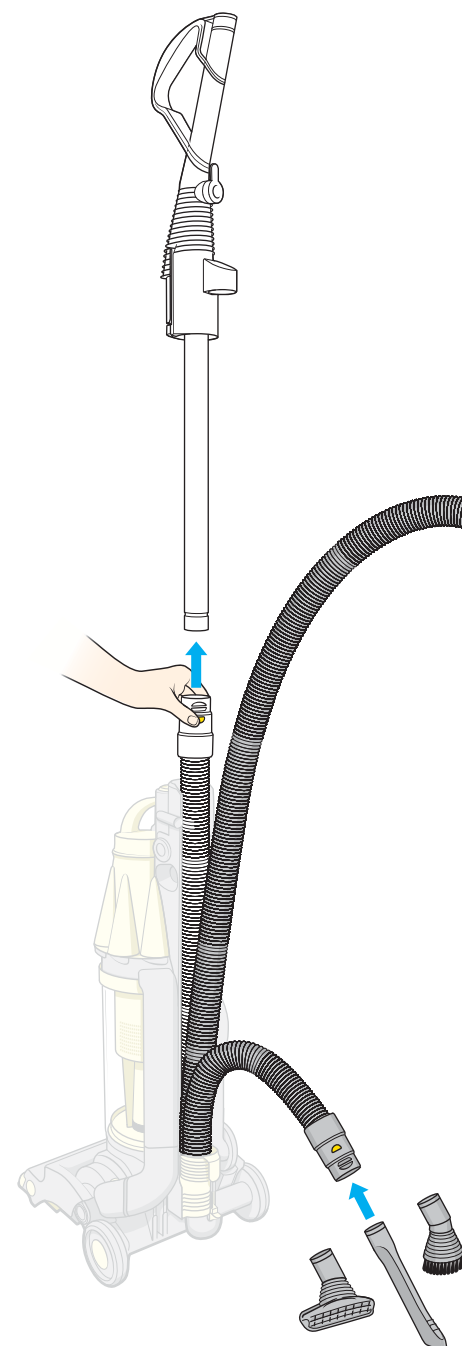
Use tools for easier cleaning in hard to reach areas.

- 1** Press the wand release to detach the wand from the machine.
- 2** Pull wand up to extend hose, slide the hose away from the wand until the metal tube and hose cuff click into place.

**All Dyson tools can be used in the following ways:**

#### Wand mode

Slide back the wand cap and fit one of the tools directly on the wand handle.

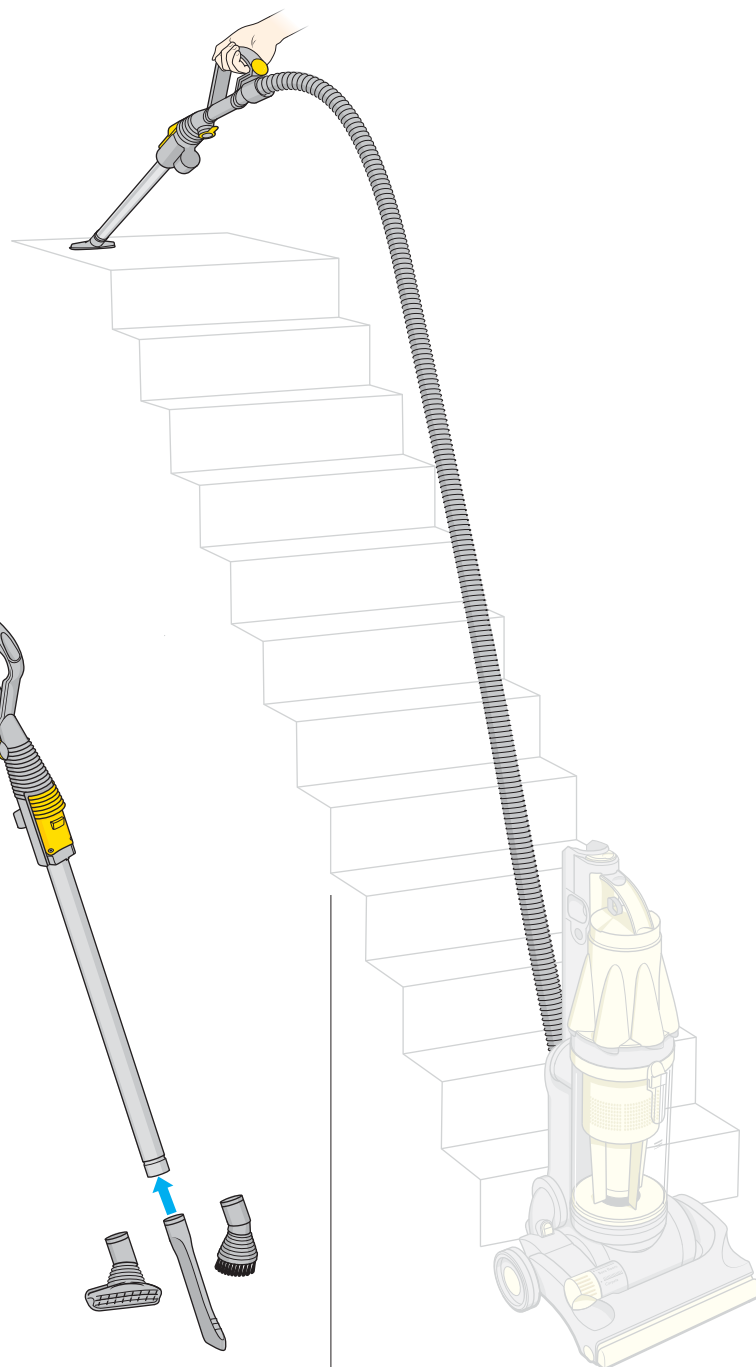
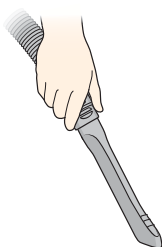


### Hose mode

Press the hose release button and remove the wand. Fit one of the tools directly on to the end of the hose.

#### **⚠ FOR YOUR SAFETY**

- When the hose is fully extended, grasp firmly by the hose, not the tool.



### Reversed wand mode

*(for selected models only)*

Remove wand as shown for hose mode. Reverse the wand and click it into the end of the hose, pressing the hose release button to ensure a correct fit. Fit one of the tools on to the end of the wand.

**tip** The vacuum has been designed to follow you when used in wand or hose mode.

### Stair cleaning

Use the hose and stair tool for stair cleaning. The hose will stretch all the way to the top of an average staircase so you can leave your machine at the bottom.

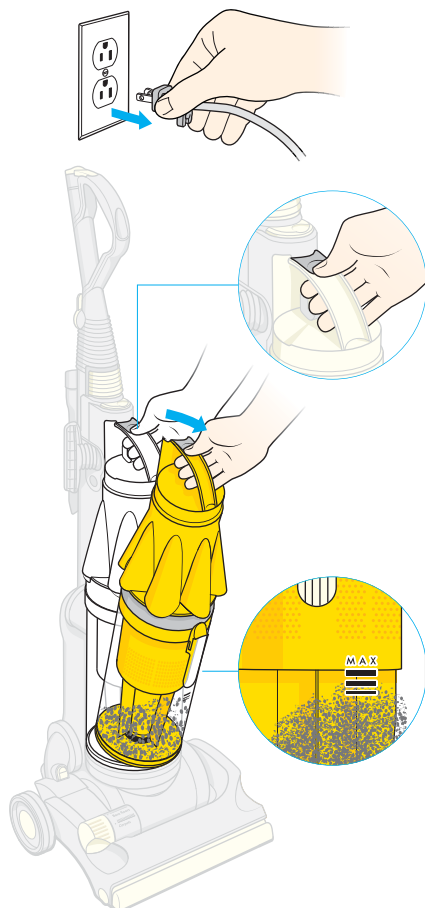
#### **⚠ CAUTION**

- To avoid personal injury and to prevent the machine from falling when cleaning stairs, always place it at the bottom of the stairs.
- Powerful suction can cause the hose to "pull back." Please take care using the wand.

## Emptying the Clear bin™

### ⚠ CAUTION

- Turn power off and unplug before emptying the bin. Failure to do so could result in electric shock or personal injury.
- Do not use machine without clear bin™ in place.

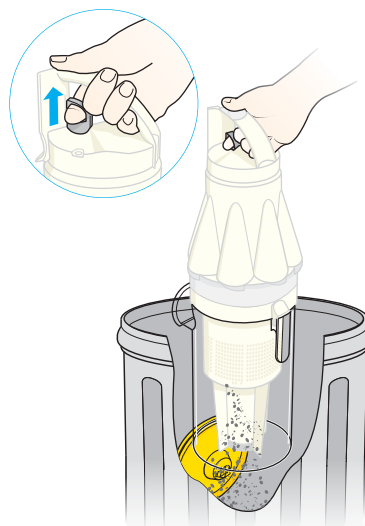


### Removing the bin

Press the cyclone release catch with your thumb to remove the clear bin™ assembly from the machine.

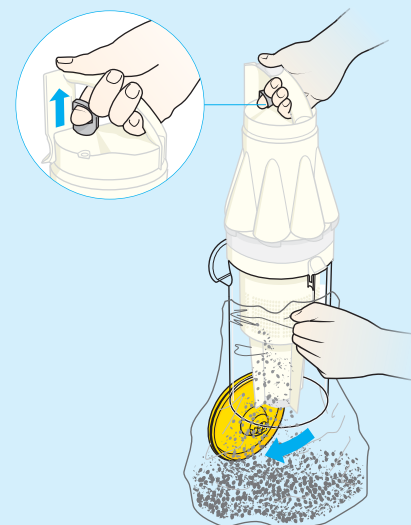
To ensure your machine continues to clean effectively, the clear bin™ must be emptied when the dust reaches the level of the **MAX** mark.

- ⚠ • When removing bin, do not pull up on carry handle while pressing cyclone release catch.
- When replacing the bin, ensure it clicks back into place.



### Clear bin™ emptying option 1

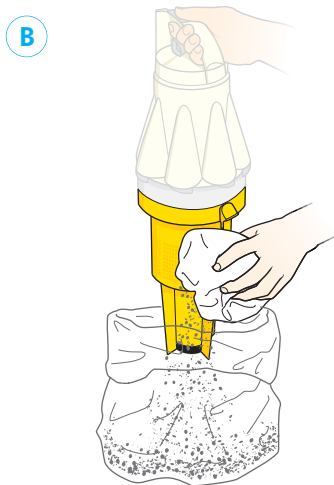
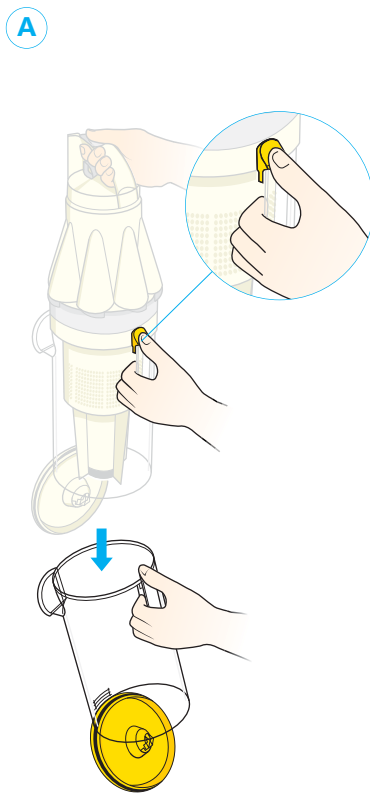
Pull the trigger to release dust directly into a garbage can or wastebasket. Shake or tap firmly to remove all dust from inside the cyclone.



### Clear bin™ emptying option 2

Emptying into a bag is recommended for allergy sufferers. Place bin in bag and pull the trigger to release dust.

Let dust settle and close bin base securely before removing from bag and refitting cyclone and bin on machine.



### Shroud cleaning

(when necessary)

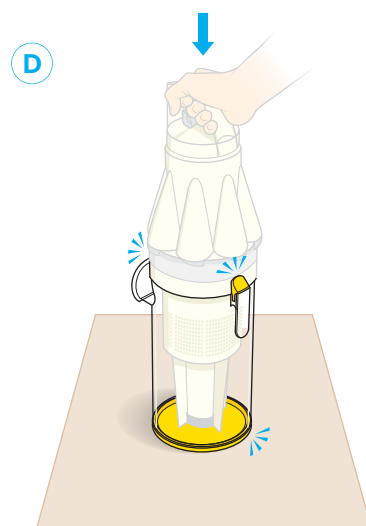
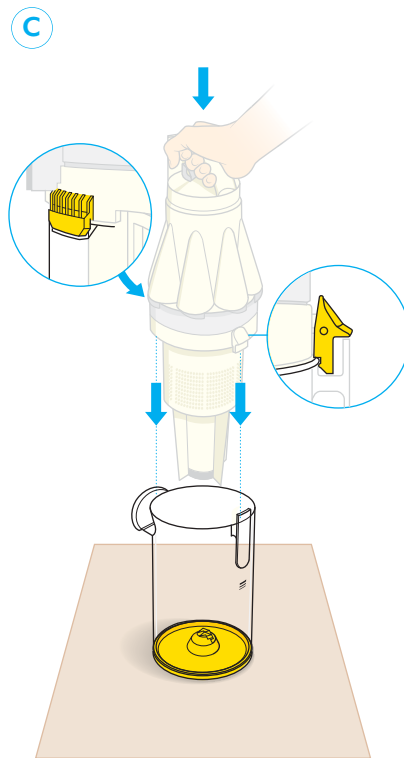
To remove any build-up of lint or large dust particles on the shroud:

- A** Press the bin release catch to remove the clear bin™.
- B** Clean the shroud with a cloth or dry brush to remove the lint and dust.

### ⚠ CAUTION

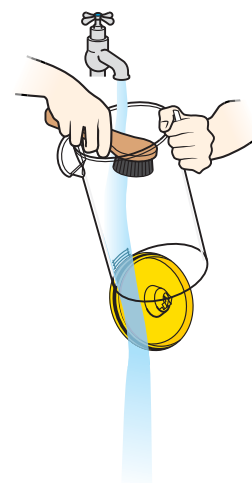
- Do not use the machine without the clear bin™ in place.

**tip** Clear bin™ will not come off cyclone unless the bin base is open.



To reassemble the clear bin™, place on the floor with the clear bin™ base closed.

- C** Holding the carry handle, put the cyclone assembly inside the clear bin™, line up the front and rear catches, and push down to click the catches into place.
- D** Ensure the clear bin™ is secure before replacing on the machine.



### Clear bin™ cleaning

(optional)

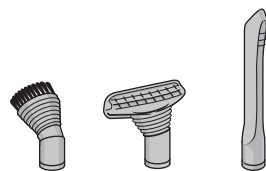
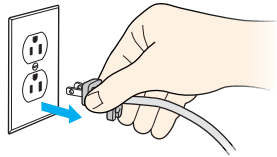
### ⚠ IMPORTANT

- You may rinse the clear bin™ with water. Rinse only the clear bin™ – do not rinse the inner cyclone, shroud, or cones.
- Do not use detergents.
- Do not immerse any other part of the machine in water.
- Ensure the clear bin™ is completely dry before replacing.

## Clearing blockages

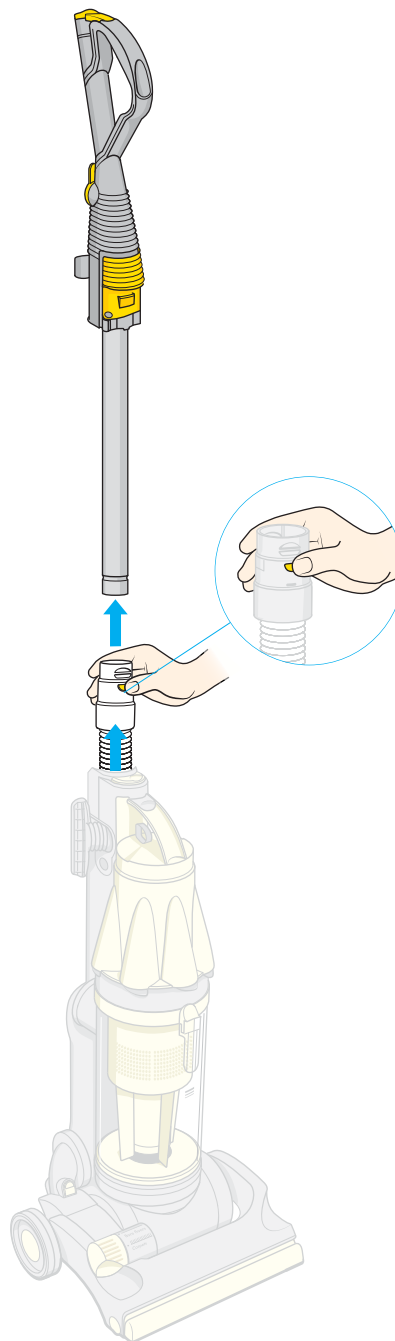
### ⚠ CAUTION

- Unplug the machine from the electrical outlet before starting to look for blockages. Failure to do so could result in electric shock or personal injury.
- If any part of the machine becomes blocked it may overheat and then stop automatically shut off. Unplug machine and leave to cool down for at least 60 minutes before clearing the blockage.
- Regularly wipe the soleplate and wheels with a dry cloth after vacuuming to clean off any sand, dirt, or pebbles that could damage delicate floors.
- Please note: clearing blockages is not covered by your machine's limited warranty.
- Refit all parts of the machine before using it.



### Tools

Check that the tools are clear of blockages.

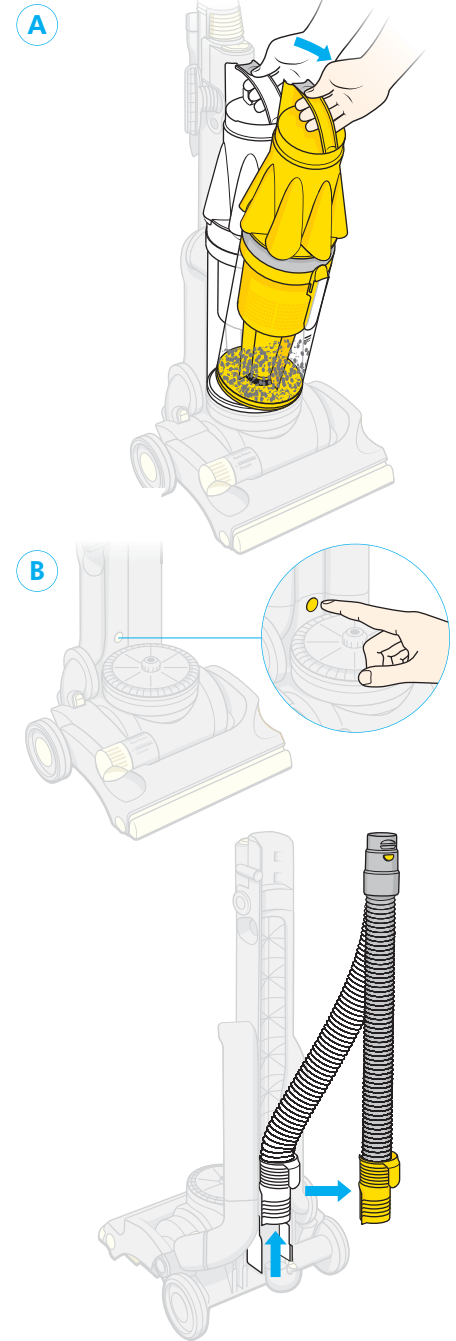


### Wand

Remove wand as shown on page 11, and press the wand release button to remove the wand from the hose. Check inside wand for blockages.

### ⚠ CAUTION

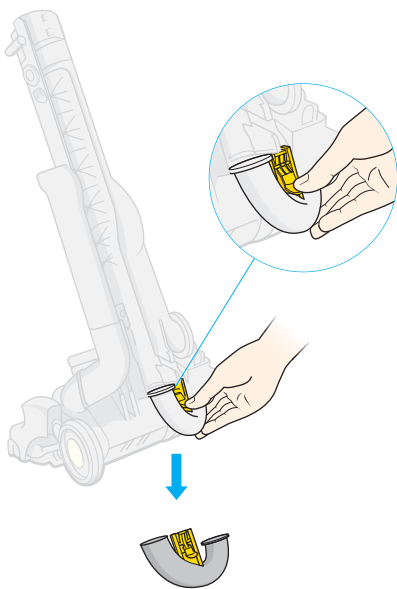
- Beware of sharp objects when clearing blockages.



### Hose

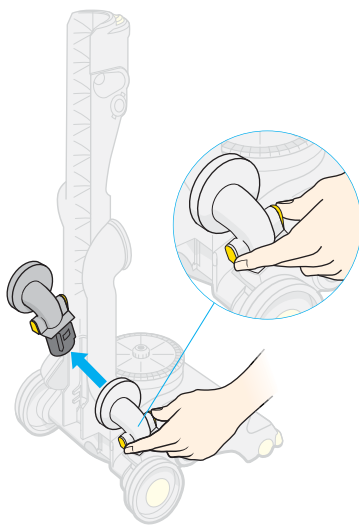
- A** Press the cyclone release catch to remove the clear bin™ assembly from the machine.
- B** Press the lower hose release button from the front of machine and slide the hose out from the rear, holding the lower cord winder. Check inside the hose for blockages.





### U-bend

- Tilt the machine forward to slide out the U-bend.
- Check inside for blockages.

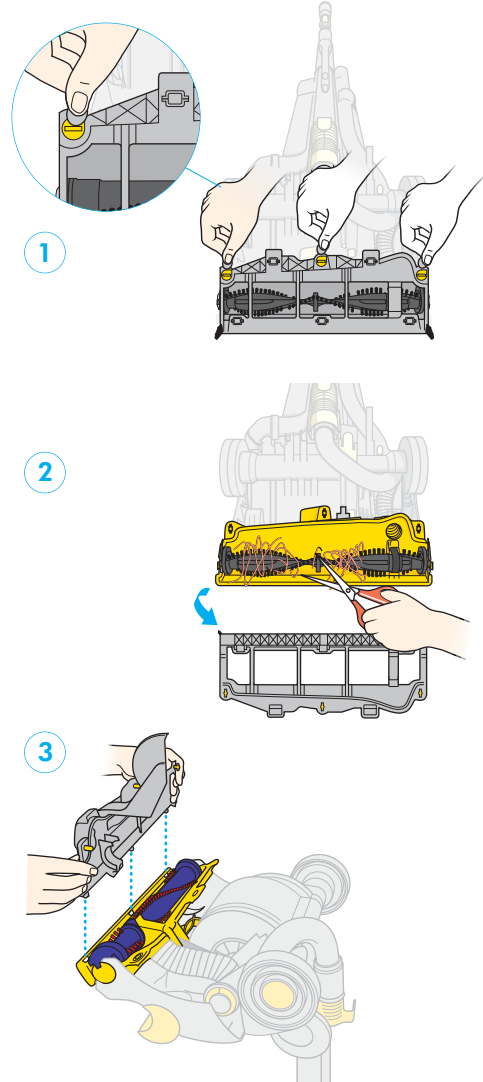


### Airway inspection valve

- Squeeze the valve release buttons to remove the airway inspection valve.
- Check inside for blockages.

### **⚠ CAUTION**

- The ratcheting noise may warn that the brushbar is obstructed. If this occurs, unplug the machine from the electrical outlet before removing the obstruction.



### Brushbar

Lay the machine on its front.

- 1 Undo the colored soleplate fasteners using a coin and remove the soleplate.
- 2 Clear the brushbar obstruction, carefully cutting away any threads with a pair of scissors.
- 3 Replace the soleplate and tighten the fasteners.

When replacing the soleplate, the soleplate must be fitted securely with the bottom of the cleanerhead to achieve optimal performance. Check the alignment of the soleplate with front edge of cleanerhead.



## Using and maintaining optional accessories

- Not all accessories available with all models.
- Colors may vary.

### CAUTION

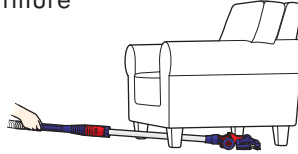
- Do not use your vacuum cleaner outdoors or on wet surfaces. Vacuum may be used inside a garage only when used with the Model 08909 Dyson Car Cleaning Kit accessories. If used in a garage, care should be taken to wipe the soleplate and wheels with a dry cloth after vacuuming to clean off any sand, dirt, or pebbles that could damage delicate floors.



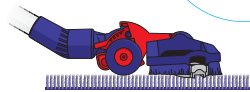
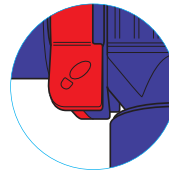
### Low reach floor tool

#### Usage

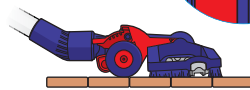
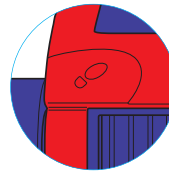
For easier cleaning under low furniture



- (A) Attach low reach floor tool to wand and recline handle
- (B) Carpet – Press rear pedal



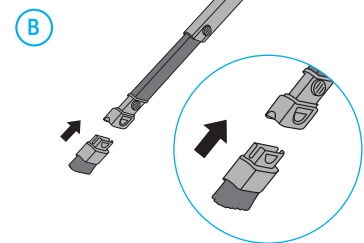
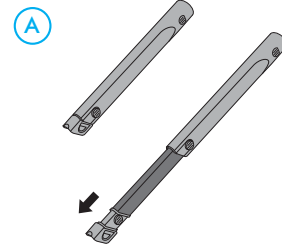
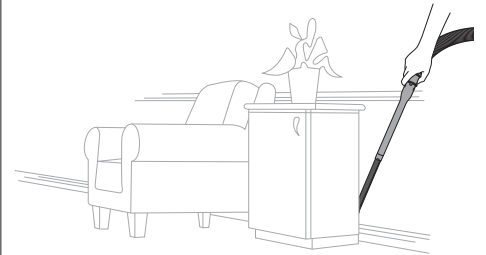
- (C) Bare floors – Press front pedal



### Flexi crevice tool

#### Usage

Extends and flexes to clean awkward gaps and spaces



**A** Extend and flex

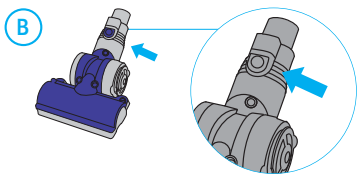
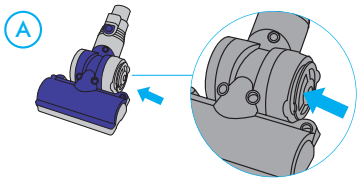
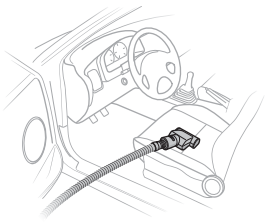
**B** Use with or without brush



**Mini turbine head**

**Usage**

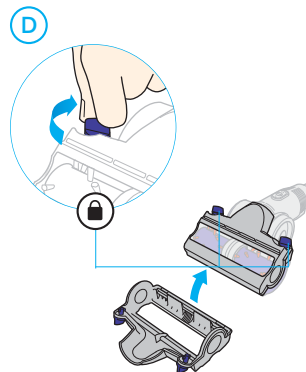
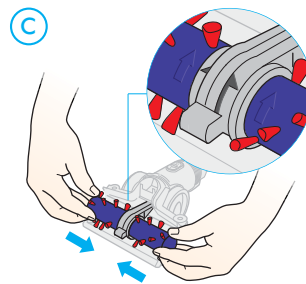
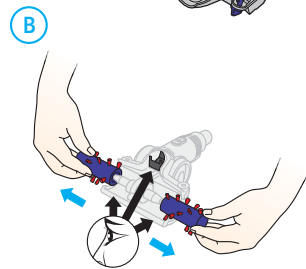
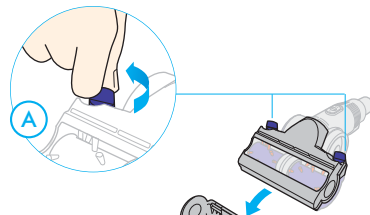
Advanced turbine head removes dirt from upholstery, stairs, and the car



- A** Push in to stop brushbar from spinning
- B** Adapter release button not used on all models

**Mini turbine head**

**Maintenance**



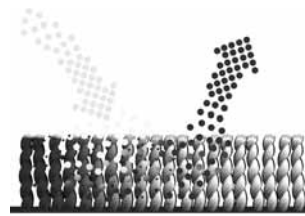
- A** Remove soleplate
- B** Remove and clean brushbars
- C** Replace brushbars
- D** Replace soleplate



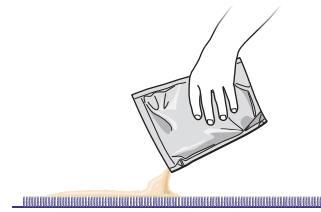
**Zorb carpet powder**

**Usage**

Carpet cleaning



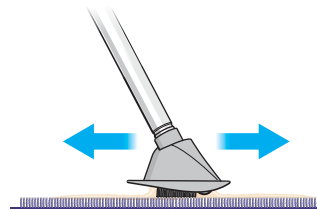
- A** Sprinkle Zorb onto carpet



- B** Ensure machine is turned off

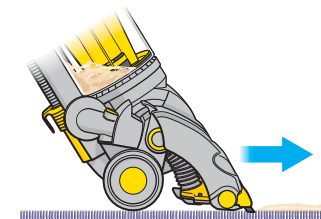


- C** Work into carpet pile



- D** Wait 30 minutes

- E** Vacuum the carpet



Problem	Potential solution
Less than normal or no pickup from cleanerhead or Machine turns off in use	<ul style="list-style-type: none"> <li>• If vacuuming non-delicate carpeting, ensure brush control is set on carpets mode. Note: brushbar will only spin when the handle is reclined.</li> <li>• Remove and check washable filter to see if it is clean (filter should be blue in color). Wash filter if necessary as shown on page 8.</li> <li>• If you removed the soleplate, it must be refitted flush with the cleanerhead. If it is not, refit soleplate as shown on page 15 and re-check performance.</li> <li>• Be sure the filter housing, U-bend, and airway inspection valve are snapped in securely and confirm there are no blockages.</li> </ul>
Less than normal or no suction from wand or hose	<ul style="list-style-type: none"> <li>• Confirm the U-bend is in place and that there are no blockages.</li> <li>• Remove the wand and check for blockages.</li> <li>• Confirm the hose has no blockages or holes by stretching it out.</li> <li>• Be sure the filter housing and airway inspection valve are snapped in securely and confirm there are no blockages.</li> <li>• Remove and check washable filter to see if it is clean (filter should be blue in color). Wash filter if necessary as shown on page 8.</li> </ul>
Brushbar not spinning	<ul style="list-style-type: none"> <li>• Ensure brush control is set on carpets mode. Note: brushbar will only spin when the handle is reclined.</li> </ul>
Loud 'ratcheting' noise coming from cleanerhead when vacuuming	<ul style="list-style-type: none"> <li>• Ratcheting may indicate there is an obstruction in the brushbar and is meant to protect the belt in the machine. Note: the ratcheting may also occur if your carpet is not adequately attached to the floor or if your rug has loose tassels. (This noise does not hurt the machine.)</li> <li>• Check to see if there is an obstruction in the brushbar as shown on page 15.</li> <li>• Note: when refitting the soleplate it must be fitted securely. Affix as shown on page 15.</li> <li>• If there is no obstruction, you may want to set brush control to bare floors mode.</li> </ul>
Unit will not stand upright	<ul style="list-style-type: none"> <li>• Stand behind the vacuum holding the handle at a 45 degree angle.</li> <li>• Locate and remove the airway inspection valve and take note of the square plastic molding where the airway inspection valve plugs into. (It should slide up and down.)</li> <li>• Snap that square plastic piece up toward the ceiling.</li> <li>• After it snaps into place, the unit will stand upright.</li> </ul>

Refer to page 3 for an illustration of DCO7. If this does not help with your problems, please call the Dyson Helpline at 1-866-693-9766. The Helpline is open 7 days a week to answer your questions.

## Dyson Customer care

### Limited 5 year household warranty

#### Terms and Conditions of the Dyson 5 year limited warranty



Note your serial number for future reference:











Your serial number can be found on the rating plate, which is on the base of your machine between the wheels.

## Thank you for choosing to buy a Dyson.

If you have a question about your Dyson vacuum cleaner, call the Dyson Helpline at 1-866-693-9766 with your serial number and details of where and when you bought the cleaner. Your serial number can be found on the rating plate, which is on the base of your machine between the wheels. Most questions can be solved over the phone by one of our Helpline staff. If your machine needs service, call the Dyson Helpline. We will discuss with you the options available for service. If your machine is under warranty and it is a covered repair, your machine will be repaired at no cost. To reach the Dyson Helpline call at 1-866-693-9766 toll free, or visit Dyson online at [www.dyson.com](http://www.dyson.com)

To help us ensure you receive prompt and efficient service, please register your purchase with us. There are two ways to do this:

- by completing and returning the enclosed form to us by mail.
- online at [www.dyson.com](http://www.dyson.com)

This will confirm ownership of your Dyson in the event of an insurance loss and enable us to contact you if necessary. If you have any questions about your Dyson, please call our Customer Helpline at 1-866-693-9766, 7 days a week, or log on to our website at [www.dyson.com](http://www.dyson.com)

#### What is covered

Your Dyson vacuum cleaner is warranted against original defects in material and workmanship for a period of five years from the date of purchase, when used for private household purposes in accordance with the Dyson Owner's Manual.

This warranty provides, at no extra cost to you, all labor and parts necessary to ensure your vacuum cleaner is in proper operating condition during the warranty period. This warranty is subject to the following terms:

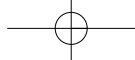
#### What is not covered

Dyson, Inc. shall not be liable for costs incurred as a result of:

- Machines purchased from an unauthorized dealer.
- Clearing blockages from your machine.
- Use of parts not in accordance with the Owner's Manual.
- Careless operation or handling, misuse, and/or lack of maintenance or use not in accordance with the Owner's Manual.
- External sources such as weather.
- Repairs or alterations carried out by unauthorized parties or agents.
- Use of the vacuum cleaner other than for normal domestic household purposes within the United States, e.g., for commercial or rental purposes.
- Use of parts and accessories other than those produced or recommended by Dyson, Inc.

#### Warranty Service

- Please fill out and return the Product Registration Form, or register online at [www.dyson.com](http://www.dyson.com)
- Before service can take place, the terms of the warranty require that you contact the Dyson Helpline with your model name/number, serial number, date, and place of purchase. Please keep your purchase receipt in a safe place to ensure you have this information.
- All work will be carried out by Dyson, Inc. or its authorized agents.
- Any replaced defective parts will become the property of Dyson, Inc.
- Service under this limited warranty will not extend the period of this warranty.
- If your machine is not functioning properly, please call the Dyson Helpline at 1-866-693-9766. Most issues can be rectified over the telephone by our trained Customer care staff. If this is not possible Dyson, Inc. will arrange for your vacuum cleaner to be repaired and returned in full working order at no extra cost to yourself.

**Terms and Conditions** (continued)**Warranty Limitations and Exclusions**

- Any implied warranties relating to your vacuum cleaner, including but not limited to warranty of merchantability or warranty of fitness for a particular purpose, are limited to the duration of this warranty. This limitation is not allowed by some states and so this limitation may not apply to you.
- Your remedy for breach of this warranty is limited to the warranty service described above. Dyson, Inc. will not be liable for any consequential damages or incidental damages you may incur in connection with your purchase and use of your vacuum cleaner. This limitation is not allowed by some states and so this limitation may not apply to you.
- This warranty gives you specific legal rights. You may also have other rights that vary by state.
- This warranty is not transferable.

This product is protected by the following intellectual property rights:

Patent/Patent Application numbers: CA 1,241,809; US 4,573,236; CA 2,312,827; US 6,526,623; CA 2,313,177; US 6,691,849; CA 2,315,078; US 6,289,553; CA 2,325,953; US 6,425,931; US 6,461,508; CA 2,351,552; US 6,572,078; US 6,442,791; AU 2001232024; CA 2400404; EP 1265519; JP 2001-564647; US 2003-0102619; AU 2002231965; CA 2,438,855; EP 1361813; JP 2002-567126; US 2004-0068829; AU 287872; EP 1320317; JP 2004-509684; US 2003-0163889; AU 2002226556; CA 2,439,250; EP 1370172; JP2004-528876; US 2004-0074213; AU 2002229966; CA 2,439,032; EP 1361812; JP 2002-567124; US 10/468,870; AU 2002226554; CA 2,438,077; EP 01370173; JP 2002-567131; US 2004-0144070; AU 2002241151; CA 2442218; EP 1377196; JP 2004-528087; JP 2004-0112018; AU 2002225207; CA 2,438,069; EP 1361814; JP 2004-520137; US 2004-0112022; AU 2002225232; CA 2,438,079; EP 1361815; JP 2004-520139; US 2004-0068827

Registered Design/Application numbers: CA 97332; US D475,820; CA 86192; US D427,737; US D455,242

**Please note:** Small details may vary from those shown.

