

# dyson

The cleaner that doesn't lose suction.

Up top,  
down below,  
in between.  
**Dyson tools**



# Contents

## Awkward to reach places

- 9 Flat Out™ head
- 9 Mini Flat Out™ head
- 9 Up top tool
- 9 Flexi crevice tool

## Difficult dirt

- 11 Mattress tool
- 11 Stubborn dirt brush
- 11 Soft dusting brush
- 11 Hard floor tool

## Pet hair and fibres

- 13 Turbine head
- 13 Mini turbine head

## For quick clean-ups

- 15 Handheld soft dusting brush
- 15 Handheld stubborn dirt brush
- 15 Handheld wide nozzle tool
- 15 Handheld extendable hose

## Tool Kits

- 17 Home cleaning kit
- 17 Party clean-up kit
- 17 Car cleaning kit
- 17 Handheld tool kit

## Replacement parts and tools

- 18 Standard tools
- 18 Twin belt pack
- 18 Handheld Charger
- 19 Handheld Battery
- 19 Zorb™ cleaning powder
- 19 Dyzolv™ spot cleaner

## Filters

- 20 Long life filters
- 20 HEPA filters
- 20 Lifetime filters
- 20 Lifetime filters

## Quick reference guide to Dyson tools

- 22 Tool compatibility matrix

# Engineered cleaning tools for engineered cleaning machines



Dyson engineers put as much thought into developing Dyson tools as they do Dyson vacuums. A poorly-designed tool can waste suction, fail to pick up dust and dirt and cause overall performance of the machine to drop. It's a fundamental part of the job.

Every Dyson vacuum has a range of tools designed for it; each one optimised to remove dirt, wherever it is.



# Made from riot shield material

Dyson tools are made from the toughest materials.

The clear brush bar cover on turbine head tools is made of polycarbonate, the same material as riot shields. The housing is ABS, which is used in crash helmets. And the airway connecting the end of the wand to the turbine head is made of polyurethane, like rollerblade wheels.

## Coasters

The coasters on the bottom of the turbine head are made from felt to prevent scratched floors.

## Clean air

Placement behind the brush bar and a filter prevent dust entering the turbine and degrading performance.

## Flicker strip

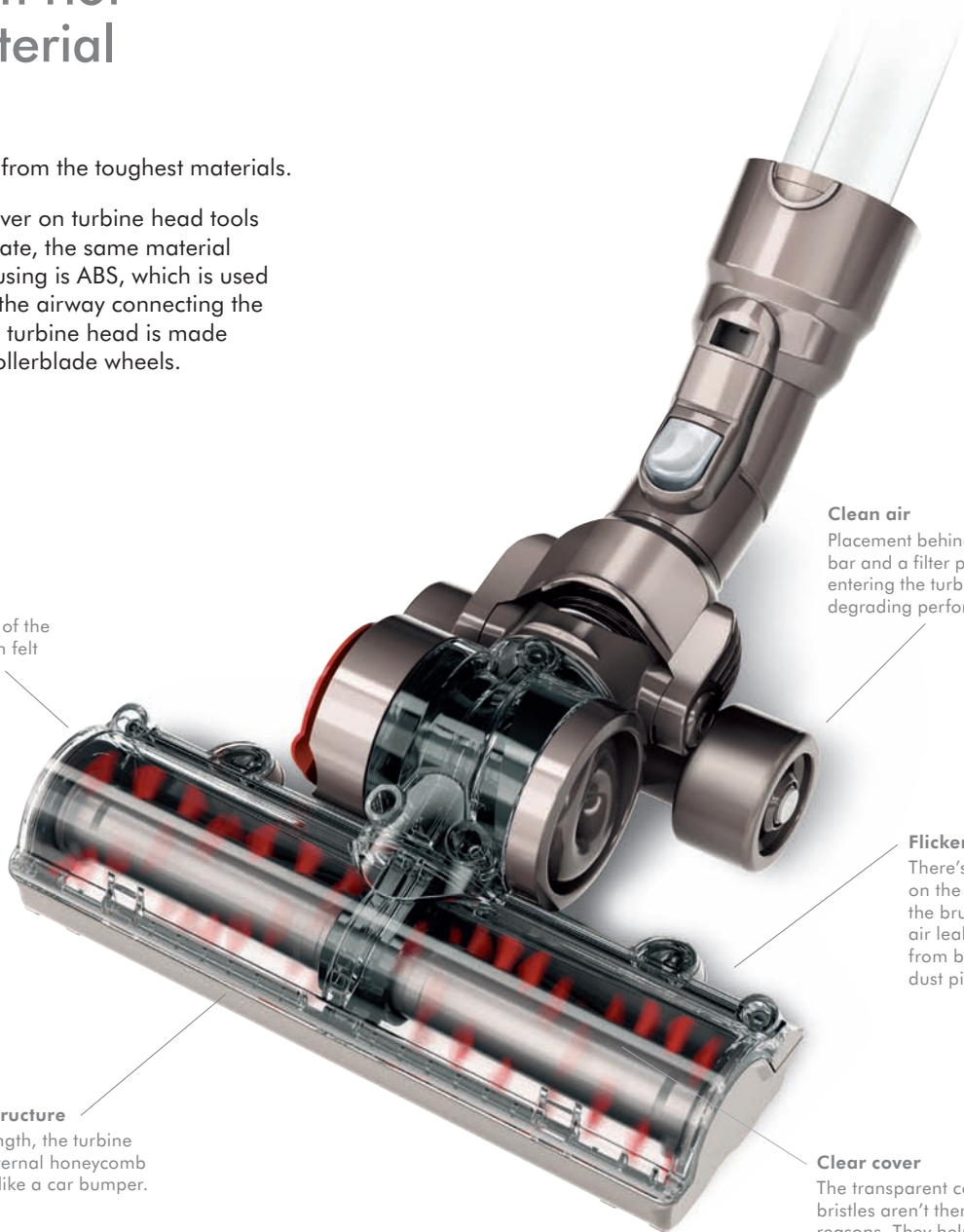
There's a thin vertical strip on the underside, behind the brush bar. It prevents air leaking into the tool from behind and reducing dust pick-up.

## Honeycomb structure

To provide strength, the turbine head has an internal honeycomb structure – just like a car bumper.

## Clear cover

The transparent cover and red bristles aren't there for aesthetic reasons. They help you see that the brush bar is spinning and hasn't become tangled.

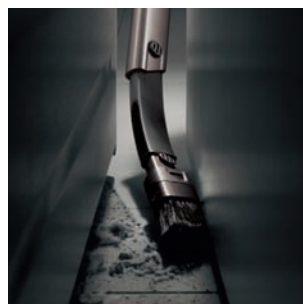
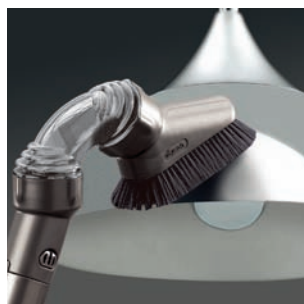


# Awkward to reach places

1.



2.



3.



4.



---

## Flat Out™ head

Ultra low-profile for easier cleaning under low furniture.



1.

---

## Mini Flat Out™ head

Ultra low-profile and narrow width for cleaning between furniture legs.



2.

---

## Up top tool

Twists into different positions and angles for easy high reach cleaning.



3.

---

## Flexi crevice tool

Extends and flexes into awkward gaps. Ideal for cleaning between furniture.



4.

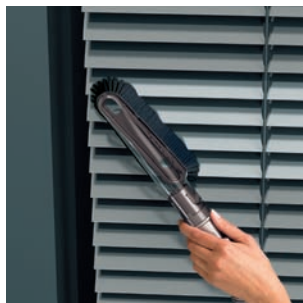
If you are unable to find the part or accessory you are looking for, please contact the Ask Dyson helpline on 0800 298 0 298, 7am – 10pm, 7 days a week.

# Difficult dirt

1.



2.



3.

4.

---

## Mattress tool

Removes dirt and dust mites from mattresses and upholstery.



1.

---

## Stubborn dirt brush

With stiff bristles for cleaning mud and dried-in dirt.



2.

---

## Soft dusting brush

Soft bristles to gently dust around the home and narrow to fit into gaps.



3.

---

## Hard floor tool

Gentle bristles and a large debris channel – ideal for wood or delicate floors.



4.

---

If you are unable to find the part or accessory you are looking for, please contact the Ask Dyson helpline on 0800 298 0 298, 7am – 10pm, 7 days a week.

# Pet hair and fibres

1.



2.



---

## Turbine head

For better pick up on every floor type. Ideal for removing pet hair and fibres.



---

## Mini turbine head

Cleans pet hair and dirt from confined spaces such as upholstery and stairs.



If you are unable to find the part or accessory you are looking for, please contact the Ask Dyson helpline on 0800 298 0 298, 7am – 10pm, 7 days a week.

# For quick clean-ups

1.



All of the tools opposite are ideal for quick clean-ups with a DC16 handheld. See the table on P22/23 to see which of our other products they are compatible with.

---

## Soft dusting brush

Soft bristles to gently dust around the home and narrow to fit into gaps.



1.

---

## Stubborn dirt brush

With stiff bristles for cleaning mud and dried-in dirt.



2.

---

## Wide nozzle tool

Wide head removes dust and dirt from upholstery and the floor.



3.

---

## Extendable hose

Lets DC16 and DC24 reach further into difficult areas.



4.

---

If you are unable to find the part or accessory you are looking for, please contact the Ask Dyson helpline on 0800 298 0 298, 7am – 10pm, 7 days a week.



# Toolkits

1.



2.



3.

4.

---

## Home cleaning kit

Contains the up top tool, soft dusting brush and stubborn dirt brush.



1.

---

## Party clean-up kit

Contains the soft dusting brush, stubborn dirt brush and Dyzolv™ spot cleaner.



2.

---

## Car cleaning kit

Contains car turbine head, flexi crevice tool and stubborn dirt brush.



3.

---

## DC16 cleaning kit

Contains soft dusting brush, stubborn dirt brush, wide nozzle tool and extendable hose.



4.

---

If you are unable to find the part or accessory you are looking for, please contact the Ask Dyson helpline on 0800 298 0 298, 7am – 10pm, 7 days a week.

# Replacement parts and accessories

You can order replacement filters, belts and onboard tools for Dyson vacuums.

---

## Standard tools

Brush, crevice, stair and combination tools for use with Dyson uprights, cylinders and handhelds.



## Twin belt pack

Specially developed rubber compound for increased life.

Fits DCO1, DCO4, DCO7 and DC14.

Some models require belts to be fitted by our engineers. Call 0800 298 0 298 for more information.



## DC16 charger

Wall-mountable charger for the DC16 handheld.



## DC16 battery

Extra or replacement battery for the DC16 handheld.



Dyson cleaning products for looking after your carpets.

## Dysolv™ Spot Cleaner

Cleans spots and spills on carpets and rugs. Ideal for wool and stain-resistant carpets.



## Zorb™ cleaning powder

Dry cleaning powder to keep carpets and rugs looking new.



If you are unable to find the part or accessory you are looking for, please contact the Ask Dyson helpline on 0800 298 0 298, 7am – 10pm, 7 days a week.

# Filters

Replacement and spare filters are available if you need them.

## DCO1 Long-life filter

Just wash every 3 months and replace every 12 months.



## DCO1 HEPA filter

With Bactisafe™ screen for allergy sufferers. Replace every 12 months.



## DCO2 Long-life filter

Just wash every 3 months and replace every 12 months.



## DCO2 HEPA filter

With Bactisafe™ screen for allergy sufferers. Replace every 12 months.



## DCO3 Lifetime filter

Designed to last the lifetime of your machine. Wash every 3-6 months.



## DCO4 Lifetime filter

Designed to last the lifetime of your machine. Wash every 3-6 months.



## Lifetime filter

Designed to last the lifetime of your machine. Wash every 3-6 months.



## DC11 Lifetime filter

Designed to last the lifetime of your machine. Wash every 3-6 months.



## DC16 Lifetime filters

Designed to last the lifetime of your machine. Wash every 3-6 months.



## DC18 Lifetime filter

Designed to last the lifetime of your machine. Wash every 3-6 months.



## Filter wash reminder service

To keep your Dyson machine running at its best, make sure you wash the filter regularly. If you like, we'll send you an occasional e-mail to remind you. Just register at:

[www.dyson.co.uk/filterwash](http://www.dyson.co.uk/filterwash)



## Quick reference to tools and accessories

Uprights	DC01	DC03	DC04	DC07	DC14	DC15	DC18	DC24	DC25
	Turbine head								
Mini turbine head (1)			•	•	•	•	•		•
Flat Out™ head	•	•	•	•	•	•	•	•	•
Mini Flat Out™ head									
Mattress tool	•	•	•	•	•	•	•	•	•
Stubborn dirt brush	•	•	•	•	•	•	•	•	•
Up top tool	•	•	•	•	•	•	•	•	•
Soft dusting brush	•	•	•	•	•	•	•	•	•
Flexi crevice tool	•	•	•	•	•	•	•	•	•
Hard floor tool	•	•	•		•		•	•	
Standard onboard tools (3)	•	•	•	•	•	•	•	•	•
Home cleaning kit	•	•	•	•	•	•	•	•	•
Party clean-up kit	•	•	•	•	•	•	•	•	•
Car cleaning kit (2)			•		•		•		

### Replacements and upgrades for uprights

Zorb™ cleaning powder (4)	•	•	•	•	•	•	•	•	•
Dyzolv™ spot cleaner	•	•	•	•	•	•	•	•	•
Twin belt pack (5)	•		•	•					
Long life filter									
Lifetime washable filter			•	•	•	•	•		

## DC16

Combination tool	•
Soft dusting brush	•
Stubborn dirt brush	•
Wide nozzle tool	•
Extendable hose	•
Crevice tool	•
Handheld toolkit	•

Charger (6)	•
Battery (6)	•
Pre and post filters (6)	•

Cylinders	DC05	DC08	DC08T	DC11	DC19	DC20	DC21	DC22	DC23
	Turbine head		•	•	•	•	•	•	•
Mini turbine head	•	•	•	•	•	•	•	•	•
Flat Out™ head	•	•	•	•	•	•	•	•	•
Mini Flat Out™ head								•	
Mattress tool	•	•	•	•	•	•	•	•	•
Stubborn dirt brush	•	•	•	•	•	•	•	•	•
Up top tool	•	•	•	•	•	•	•	•	•
Soft dusting brush	•	•	•	•	•	•	•	•	•
Flexi crevice tool	•	•	•	•	•	•	•	•	•
Hard floor tool	•	•	•	•	•	•	•	•	•
Standard onboard tools (3)	•	•	•	•	•	•	•	•	•
Home cleaning kit	•	•	•	•	•	•	•	•	•
Party clean-up kit	•	•	•	•	•	•	•	•	•
Car cleaning kit (2)	•	•	•	•	•	•	•	•	•

### Replacements and upgrades for cylinders

Zorb™ cleaning powder (4)							•		
Dyzolv™ spot cleaner	•	•	•	•	•	•	•	•	•
Twin belt pack (5)									
Long life filter									
Lifetime washable filter	•	•	•	•	•	•	•	•	•

1. Not DCO4 silver/lime.

2. While using the car cleaning kit, care must be taken to ensure that the vacuum does not become wet in any circumstances.

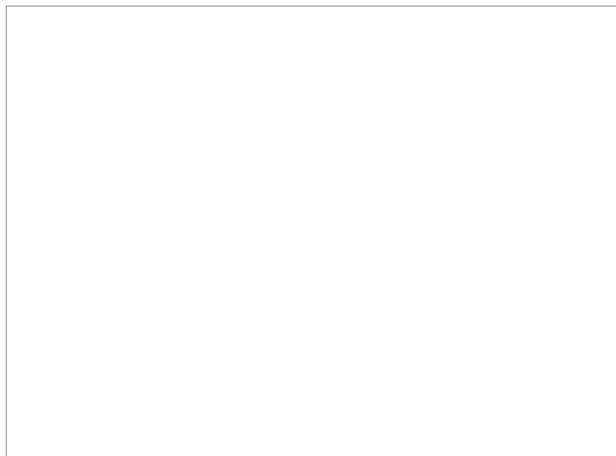
3. Standard tools for all machines are available direct from Dyson.

4. Zorb™ cleaning powder is recommended for use in conjunction with the Zorb™

groomer supplied with the carpet cleaning kit. Dyson do not recommend the use of Zorb with cylinder machines except DC21.

5. Belts are only suitable for machines without a brush control feature.

6. For DC16.



If you are unable to find the part or accessory you are looking for, please call our team of experts 7am to 10pm, seven days a week.

Freephone

**0800 298 0 298**

or visit

**[www.dyson.co.uk](http://www.dyson.co.uk)**