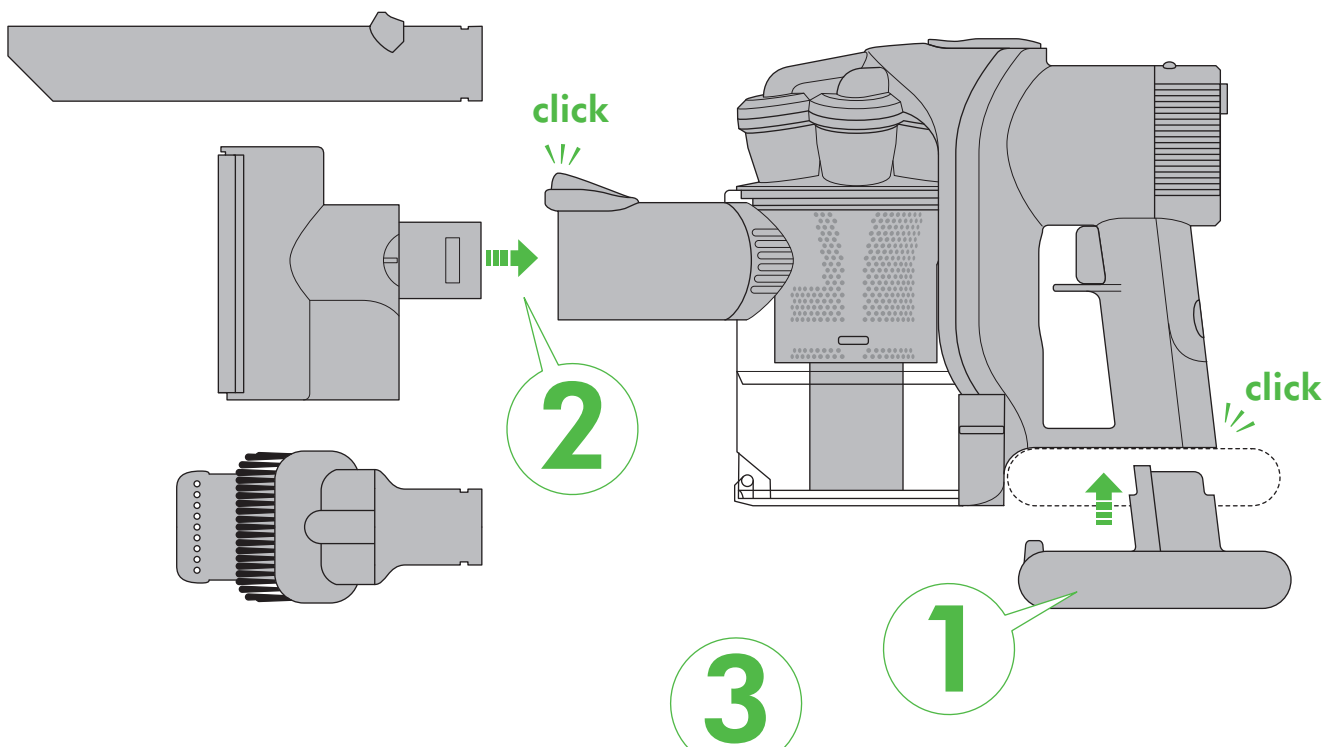


DC34 ANIMAL

ASSEMBLY



WASH FILTER
Wash your filter with cold water regularly or as required.

3.5 hrs
FULLY CHARGED

REGISTER YOUR 2 YEAR GUARANTEE TODAY

MAX
MAX POWER = 00:00 mins

MIN
MIN POWER = 05:00 mins

Your Dyson handheld vacuum will be covered for parts and labour for 2 years from the date of purchase, subject to the terms of the guarantee.

If you have a query about your Dyson handheld vacuum, call the Dyson Customer Care Helpline with your serial number and details of where/when you bought the Dyson handheld vacuum. Your serial number can be found on the main body of the Dyson handheld vacuum, behind the filter.

Most queries can be solved over the phone by one of our Dyson Customer Care Helpline staff (details below).

Visit our website to register your full parts and labour guarantee online (Australia and New Zealand only).

AU: www.dyson.com.au/register

NZ: www.dyson.co.nz/register

Note your serial number for future reference



This illustration is for example purposes only.

3 EASY WAYS TO REGISTER YOUR 2 YEAR GUARANTEE

REGISTER ONLINE



Visit our website to register your full parts and labour guarantee online (Australia and New Zealand only).

AU: www.dyson.com.au/register

NZ: www.dyson.co.nz/register

REGISTER BY PHONE



Call our dedicated Helpline.

AU 1800 239 766

NZ 0800 397 667

SG 7000 435 7546

ID 021 707 39766

MY 603 7710 5877

REGISTER BY MAIL



Complete and return the form to Dyson in the envelope supplied (not available in Malaysia).

IMPORTANT SAFETY INSTRUCTIONS

BEFORE CHARGING THE BATTERY OR USING THIS APPLIANCE, READ ALL INSTRUCTIONS AND CAUTIONARY MARKINGS IN THIS MANUAL, ON THE CHARGER, ON THE BATTERY AND ON THE DYSON HANDHELD VACUUM.

When using an electrical appliance, basic precautions should always be followed, including the following:

WARNING

TO REDUCE THE RISK OF FIRE, ELECTRIC SHOCK, OR INJURY:

1. This Dyson handheld vacuum and charger are not intended for use by young children or infirm persons with reduced physical, sensory or reasoning capabilities, or lack of experience and knowledge, unless they have been given supervision or instruction by a responsible person concerning use of the Dyson handheld vacuum or charger to ensure that they can charge and use the Dyson handheld vacuum safely.
2. Do not allow to be used as a toy. Close attention is necessary when used by or near children. Children should be supervised to ensure that they do not play with the Dyson handheld vacuum or charger.
3. Do not install, charge or use the Dyson handheld vacuum outdoors, in a bathroom or within 10 feet (3.1m) of a pool. Do not use the Dyson handheld vacuum or charger on wet surfaces and do not expose to moisture, rain or snow. Do not use to pick-up water.
4. Do not use or charge with damaged cable. If the Dyson handheld vacuum or charger is not working as it should, has received a sharp blow, has been dropped, damaged, left outdoors, or dropped into water, do not use and contact the Dyson Customer Care Helpline.
5. Do not unplug the charger by pulling on the cable. To unplug, grasp the charger, not the cable.
6. Unplug the charger from outlet when not in use for extended periods. Make sure the charger cable is located so that it will not be stepped on, tripped over, or otherwise subjected to damage or stress.
7. Do not stretch the charger cable or place the cable under strain. Keep cable away from heated surfaces.
8. Do not handle the charger, including the charger terminals or Dyson handheld vacuum with wet hands.
9. Do not put any object into openings. Do not use with any opening blocked; keep free of dust, lint, hair, and anything that may reduce airflow.
10. Keep hair, loose clothing, fingers, and all parts of body away from openings and moving parts, such as the brush bar.
11. Use extra care when cleaning on stairs.
12. Do not use to pick-up flammable or combustible liquids, such as petrol, or use in areas where they may be present.
13. Do not pick-up anything that is burning or smoking, such as cigarettes, matches, or hot ashes.
14. Do not use without the clear bin and filter in place.
15. Use only as described in this manual. Use only Dyson recommended accessories and replacement parts. Do not carry out any maintenance other than that shown in this manual, or advised by the Dyson Customer Care Helpline.
16. Contact the Dyson Customer Care Helpline when service or repair is required. Do not disassemble the Dyson handheld vacuum as incorrect reassembly may result in an electric shock or fire.
17. Use only Dyson chargers for charging this handheld vacuum. Use only Dyson batteries, other types of batteries may burst causing injury to persons and damage.
18. Unplug the charger from outlet before cleaning or maintenance.
19. The use of an extension cable is not recommended.
20. Do not incinerate this Dyson handheld vacuum even if it is severely damaged. The batteries may explode in a fire.
21. Do not press the battery release button during normal operation.
22. Always turn off the Dyson handheld vacuum before connecting or disconnecting the motorised brush bar.

SAVE THESE INSTRUCTIONS

THIS DYSON HANDHELD VACUUM IS INTENDED FOR DOMESTIC HOUSEHOLD AND CAR USE ONLY.



Do not use near naked flame.



Do not store near heat source.



Do not pick-up water or liquids.

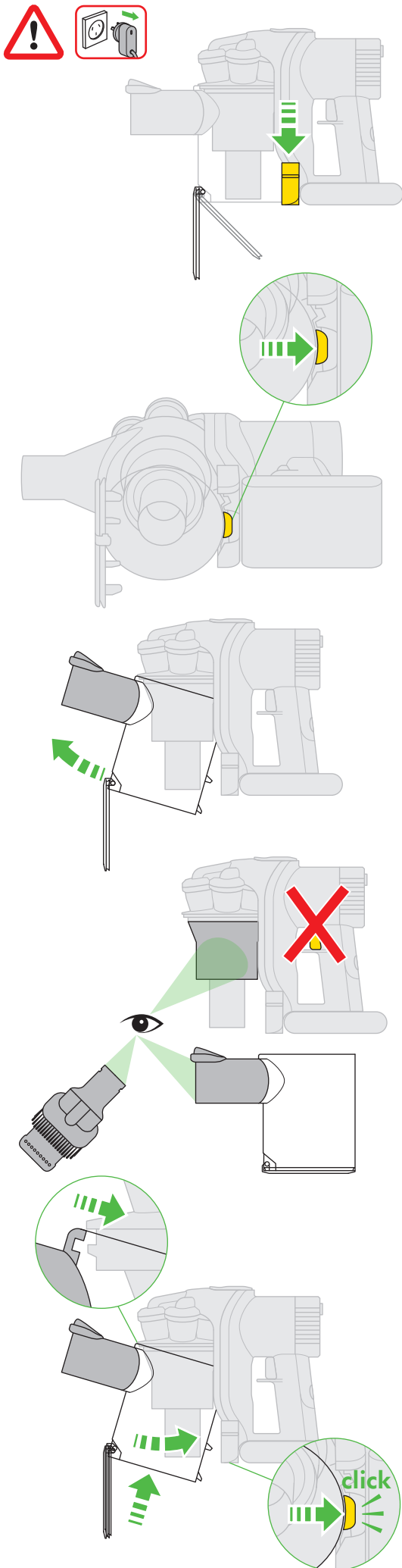


Do not pick-up burning objects.

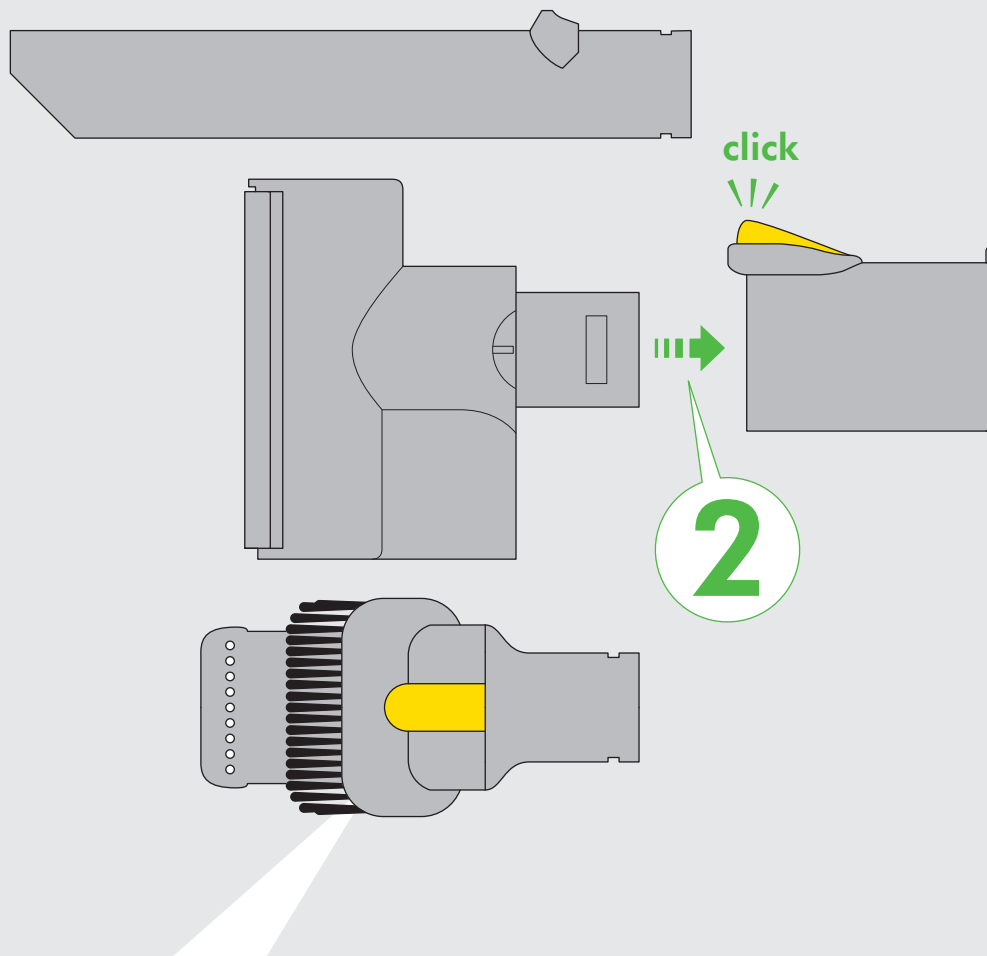
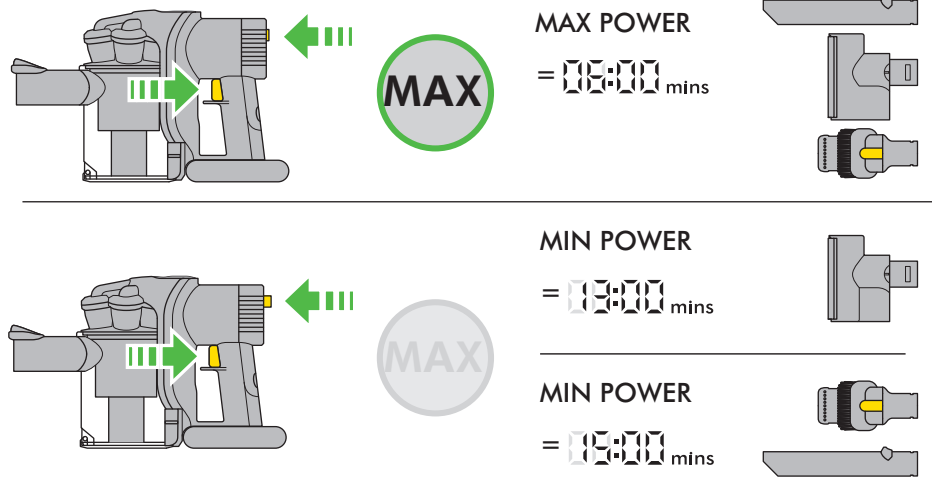


Do not pull on the cable.

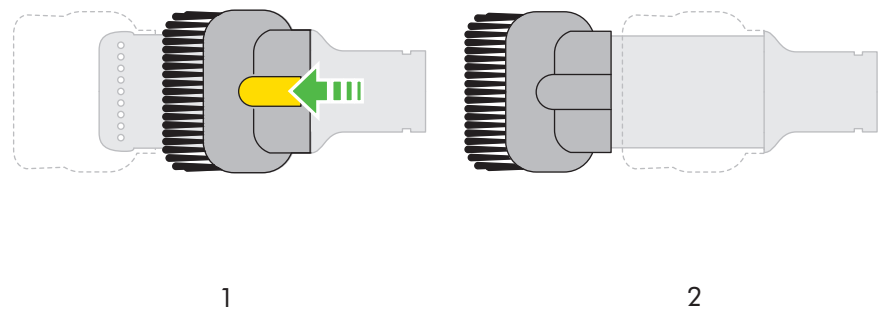
Looking for blockages

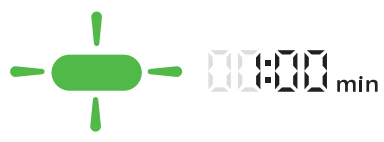
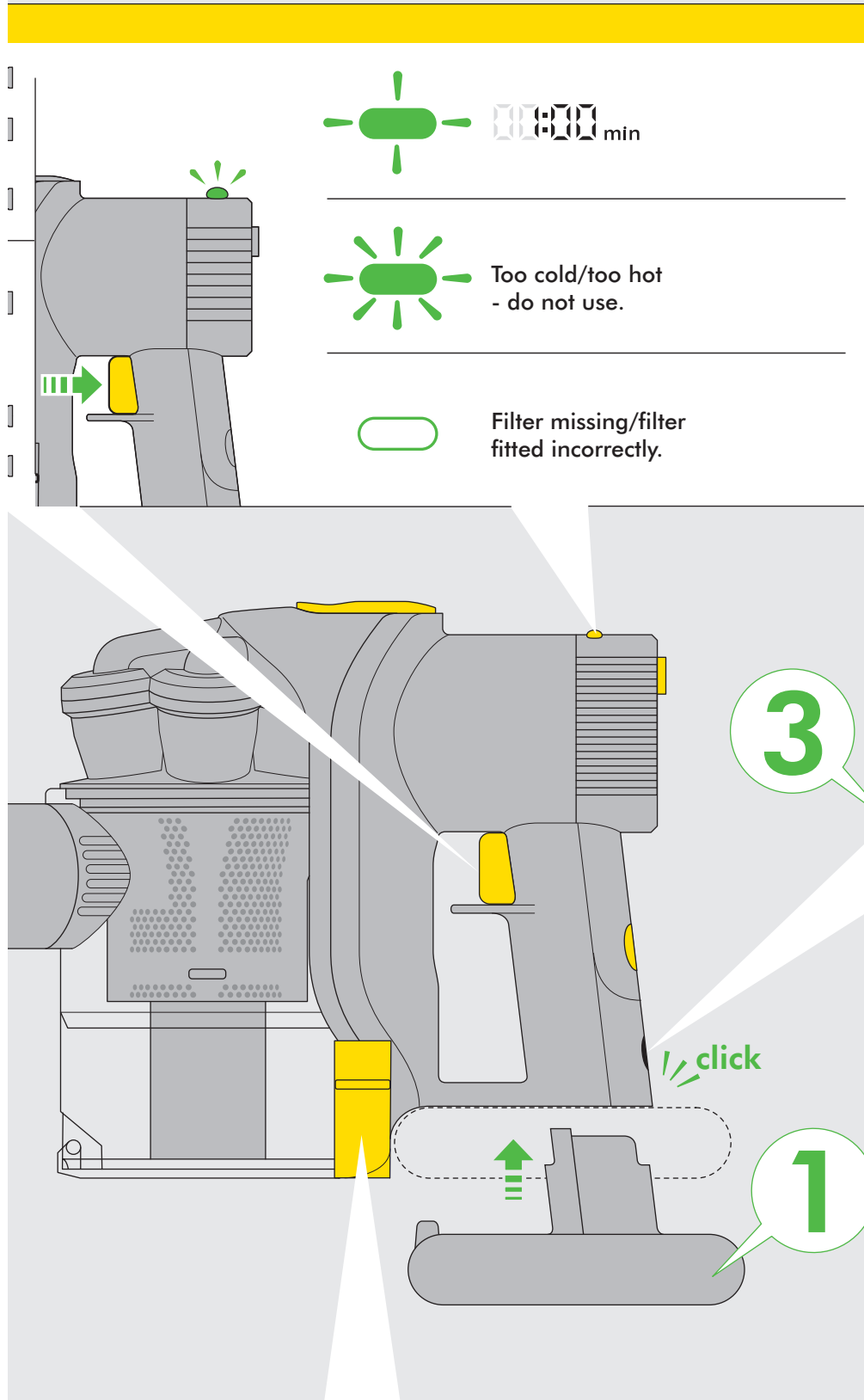


Power

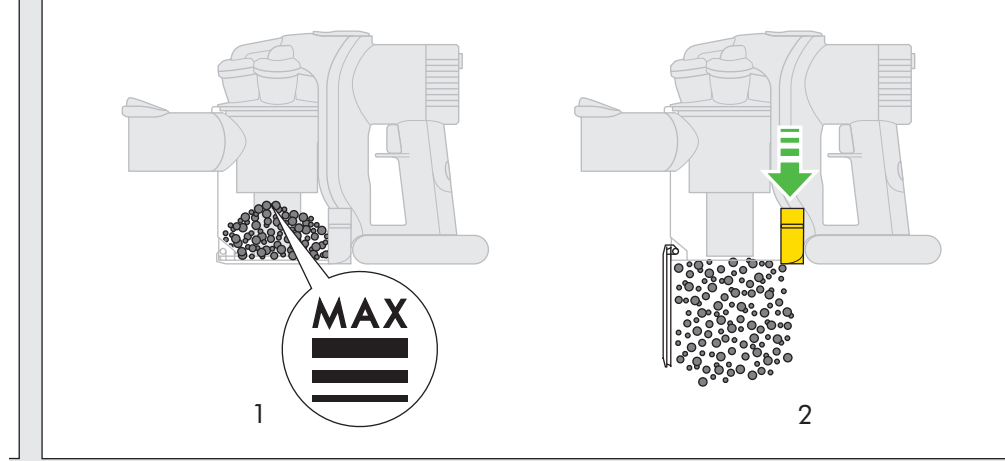


Combination accessory tool

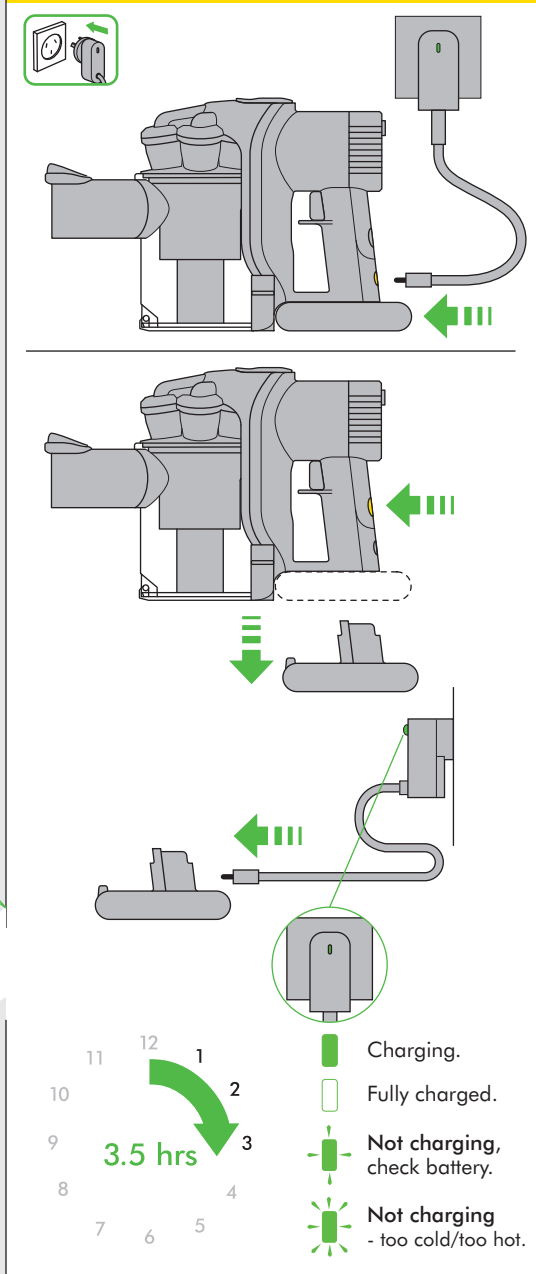




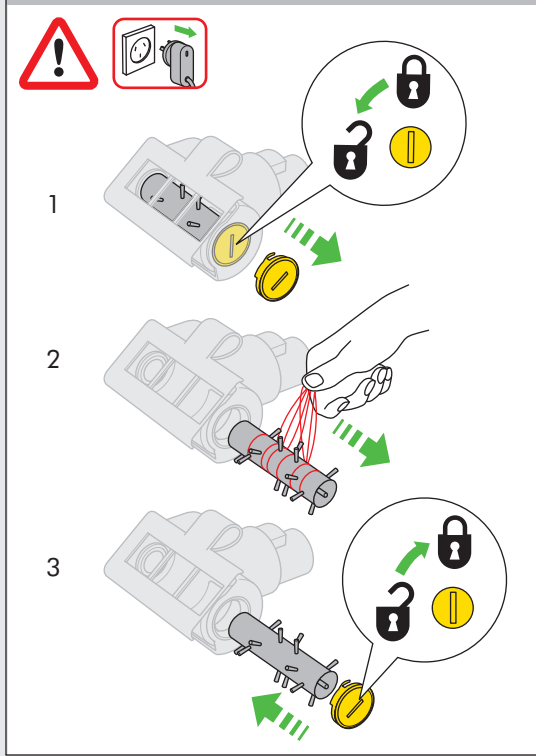
Emptying the clear bin



Charging

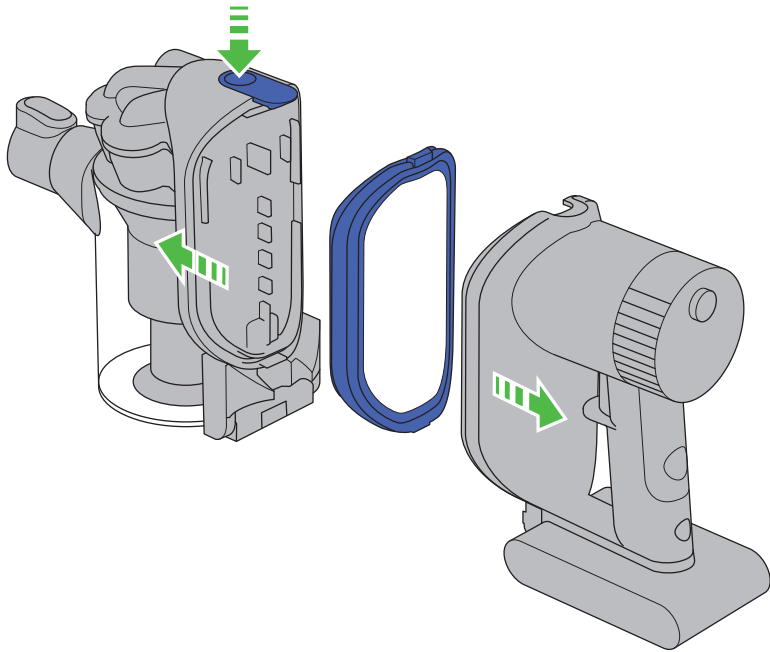
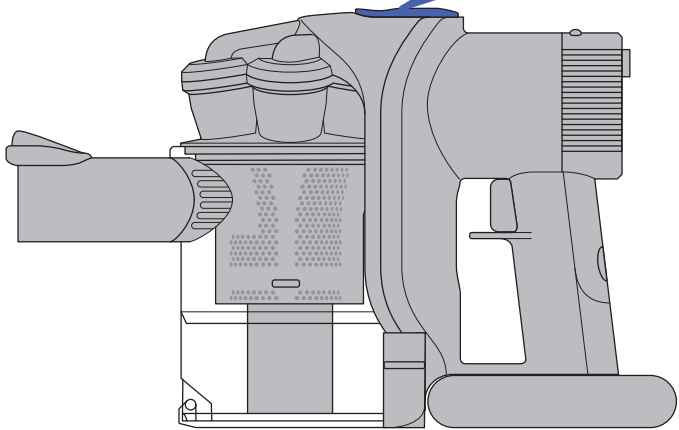
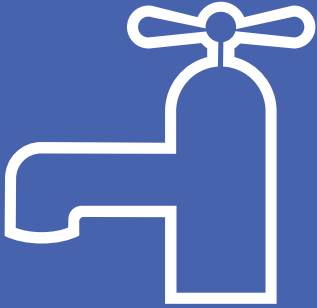


Motorised brush bar



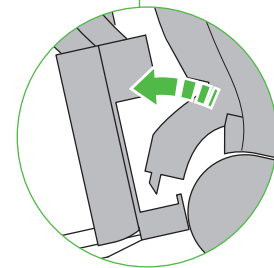
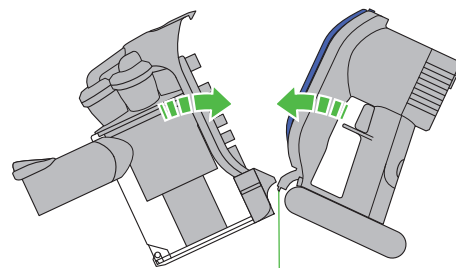
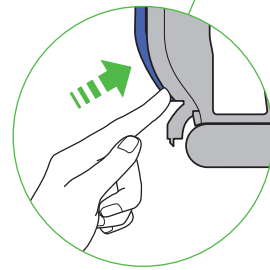
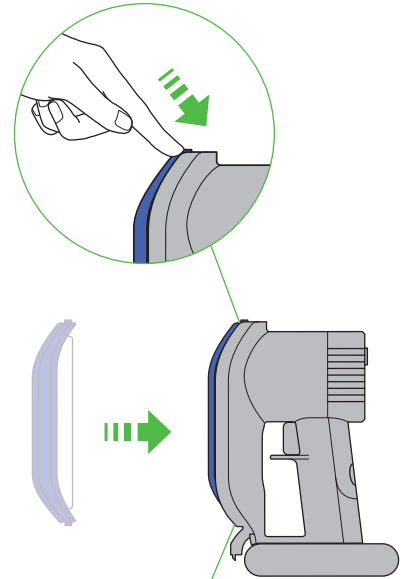
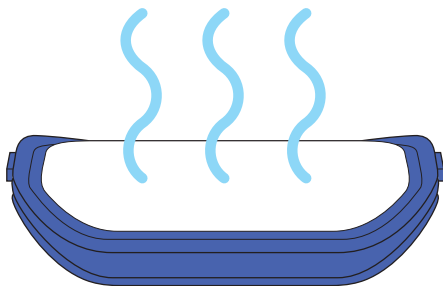
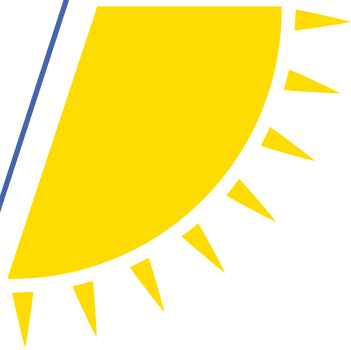
IMPORTANT!

WASH FILTER



Wash your filter with cold water regularly or as required.

Register for a filter wash reminder by email (Australia only);
customer@dyson.com.au



USING YOUR DYSON HANDHELD VACUUM

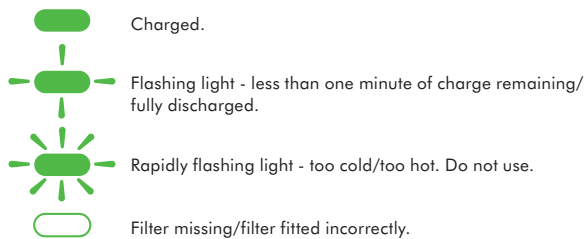
⚠ CAUTION:

- Do not allow the Dyson handheld vacuum to be used by anyone who may not be able to operate it safely.
- Take caution not to engage the silver battery release button during normal operation.
- Dirt and debris may be released from the Dyson handheld vacuum if it is turned upside down. Ensure the Dyson handheld vacuum remains upright in use.
- Do not operate the Dyson handheld vacuum while checking for blockages.
- Do not use outdoors or on wet surfaces or to vacuum water or other liquids – electric shock could occur.
- Do not lubricate any parts, or carry out any maintenance or repair work other than that shown in this Dyson Operating Manual, or advised by the Dyson Customer Care Helpline.

PLEASE NOTE:

- This Dyson handheld vacuum is designed for domestic indoor and car use only. Do not use it whilst the car is in motion or while driving.
- Do not use the Dyson handheld vacuum to pick-up sharp hard objects, small toys, pins, paper clips, etc. They may damage the Dyson handheld vacuum.
- Do not press down on the nozzle with excessive force when using the Dyson handheld vacuum as this may cause damage.
- If the motor overheats, the Dyson handheld vacuum will cut out automatically. Leave it to cool for at least an hour and check for blockages before restarting.
- Fine dirt such as flour or plaster dust should only be vacuumed in very small amounts.
- Before vacuuming highly polished floors, first check that the underside of the floor tool and its bristles are free from foreign objects that could cause marking.
- Consult your flooring manufacturer's recommended instructions before vacuuming and caring for your flooring, rugs, and carpet. The brush bar on the Dyson handheld vacuum can damage certain carpet types and floors. Some carpets will fuzz if a rotating brush bar is used when vacuuming. If this happens, we recommend vacuuming without the motorhead and consulting with your flooring manufacturer.**
- Do not use any lubricants, cleaning agents, polishes or air fresheners on any part of the Dyson handheld vacuum or charger.
- This Dyson handheld vacuum is fitted with a thermal cut-out. If any part of the Dyson handheld vacuum becomes blocked the machine may overheat and automatically shut off. If this happens, switch 'OFF' the Dyson handheld vacuum and allow to cool before attempting to check the filter or for blockages. Clear any blockages before restarting (see pages 4 and 8).
- Store the Dyson handheld vacuum indoors. Do not use or store this Dyson handheld vacuum below 3°C. Ensure that the Dyson handheld vacuum is at room temperature before operating.

TROUBLESHOOTING – DYSON HANDHELD VACUUM



EMPTYING THE CLEAR BIN

⚠ CAUTION:

- Switch 'OFF' the Dyson handheld vacuum and disconnect from charger before emptying the clear bin.
- Empty as soon as the dirt reaches the level of the MAX mark – do not overflow.
- To release the dirt, push the red button at the side of the clear bin as shown.
- To minimise dust/allergen contact when emptying, encase the clear bin tightly in a plastic bag and empty. Remove the clear bin carefully and seal bag tightly, dispose as normal.

PLEASE NOTE:

- Do not use the Dyson handheld vacuum without the clear bin in place.

CLEANING THE CLEAR BIN

⚠ CAUTION:

To remove the clear bin, push the red button at the side of the clear bin as you would when emptying the clear bin. Then press the red release button on the underside of the Dyson handheld vacuum as shown on page 4.

- Clean the clear bin with cold water only.
- Ensure the clear bin is completely dry before replacing.

PLEASE NOTE:

- Do not use detergents, polishes or air fresheners to clean the clear bin.
- Do not put the clear bin in a dishwasher.
- Clean the shroud with a cloth or dry brush to remove lint and dirt.

WASHING YOUR FILTER

⚠ CAUTION:

- Switch 'OFF' and disconnect from charger before removing the filter.
- Wash the filter with cold water only.

PLEASE NOTE:

- This Dyson handheld vacuum has one filter, located as shown. It is important to check your filter and wash with cold water regularly or as required to maintain performance. The filter may require more frequent washing if vacuuming fine dust or if used mainly in 'MIN' power mode.

- After washing please leave for 12 hours to dry completely.
- Ensure filter is completely dry before refitting to the Dyson handheld vacuum.
- Do not use detergents to clean the filter.
- Do not put the filter in a dishwasher, washing machine, tumble dryer, oven, microwave or near an open flame.

LOOKING FOR BLOCKAGES

⚠ CAUTION:

- Switch 'OFF' the Dyson handheld vacuum and disconnect from charger before looking for blockages. Failure to do so could result in personal injury.
- Beware of sharp objects when clearing blockages.
- Refit all parts of the Dyson handheld vacuum securely before using.

PLEASE NOTE:

- Clearing blockages is not covered by the Dyson handheld vacuum's limited guarantee.
- If any part of the Dyson handheld vacuum becomes blocked, it may overheat and then automatically shut off. Make sure the Dyson handheld vacuum is switched 'OFF' and disconnect from charger. Clear blockage before restarting.

CLEARING BRUSH BAR OBSTRUCTIONS

⚠ CAUTION:

- Switch 'OFF' the Dyson handheld vacuum and disconnect from charger before clearing brush bar obstructions. Failure to do so could result in personal injury. If your brush bar is obstructed, it may shut off. If this happens you will need to remove the brush bar as shown and clear any obstructing debris.
- Remove the brush bar by using a coin to loosen the screw marked with a key. Remove the obstruction. Replace the brush bar and secure it by tightening the screw. Ensure it is fixed firmly before operating the Dyson handheld vacuum.
- Beware of sharp objects when clearing blockages.
- Refit all parts of the Dyson handheld vacuum securely before using.

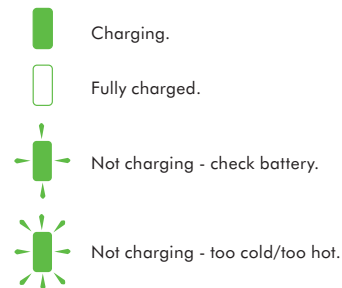
PLEASE NOTE:

- Clearing brush bar obstructions is not covered by your Dyson handheld vacuum's limited guarantee.

CHARGING AND STORING THE DYSON HANDHELD VACUUM

- Your Dyson handheld vacuum will turn 'OFF' if the battery temperature is below 3°C. This is designed to protect the motor and battery of your product. Do not charge the Dyson handheld vacuum and then move it to an area with a temperature below 3°C for storage purposes.
- To help prolong battery life, avoid recharging immediately after a full discharge. Allow to cool for a few minutes.
- Avoid using the Dyson handheld vacuum with the battery flush to a surface. This will help it run cooler and prolong battery run time and life.

TROUBLESHOOTING – CHARGER



BATTERY SAFETY INSTRUCTIONS

- The Dyson handheld vacuum must be disconnected from the mains supply when removing the battery.
- Use only Dyson batteries and charging unit for this Dyson handheld vacuum.
- The battery is a sealed unit and under normal circumstances poses no safety concerns. In the unlikely event that liquid leaks from the battery do not touch the liquid and observe the following precautions:
 - Skin contact – can cause irritation. Wash with soap and water.
 - Inhalation – can cause respiratory irritation. Expose to fresh air and seek medical advice.
 - Eye contact – can cause irritation. Immediately flush eyes thoroughly with water for at least 15 minutes. Seek medical attention.
- Disposal – wear gloves to handle the battery and dispose of immediately following local ordinances or regulations.

⚠ CAUTION:

- The battery used in this device may present a risk of fire or chemical burn if mistreated. Do not disassemble, short contacts, heat above 60°C, or incinerate. Replace battery with a Dyson battery only, use of any other battery may present a risk of fire or explosion. Dispose of used battery promptly. Keep away from children. Do not disassemble and do not dispose of in fire.
- The battery must be removed from the Dyson handheld vacuum before it is scrapped.
- The battery is to be disposed of safely.
- The Dyson handheld vacuum must be disconnected from the supply mains when removing the battery.
- Battery can be charged on or off the handheld vacuum. Take caution when removing the battery.

DISPOSAL INFORMATION

- Dyson products are made from high grade recyclable materials. Please dispose of this product responsibly and recycle where possible.
- The battery should be removed from the product before it is disposed of.
- Dispose of, or recycle the battery in accordance with local ordinances or regulations.

When your Dyson handheld vacuum reaches the end of its life, we are responsible for its safe disposal. You can send your old Dyson handheld vacuum back to us (at our cost) and we will organise for it to be recycled.*

*Please note that not all parts are recyclable. Recycling of parts is subject to the capabilities of 3rd party suppliers. Available in Australia only.

Simply:

1. Box up your old Dyson handheld vacuum
2. Take the package to your local post office and send to the address below:
Dyson We Recycle
Reply Paid 83215
Dyson Service Centre
Unit 6 & 7, 7-11 Parraweena Rd
Taren Point, NSW 2229

2 YEAR GUARANTEE - TERMS AND CONDITIONS

To help us ensure you receive prompt and efficient service, please register as a Dyson handheld vacuum owner. There are three ways to do this:

- Online (Australia and New Zealand only)
AU: www.dyson.com.au/register
NZ: www.dyson.co.nz/register
- By calling the Dyson Customer Care Helpline.
- By completing and returning the enclosed form to us by mail (not available in Malaysia).

This will confirm ownership of your Dyson handheld vacuum in the event of an insurance loss and enable us to contact you if necessary.

DYSON CUSTOMER CARE

If you have a query about your Dyson handheld vacuum call the Dyson Customer Care Helpline and quote your serial number or contact us via the Dyson website. Your serial number can be found on the main body of the handheld vacuum, behind the filter.

Most queries can be solved over the phone by one of our Dyson Customer Care Helpline staff.

If your Dyson handheld vacuum needs a service, call the Dyson Customer Care Helpline so we can discuss the available options.

DYSON CUSTOMER CARE DETAILS

If there are any queries, please call the Dyson Customer Care Helpline.

AU: 1800 239 766 (Mon-Fri 8:00am to 6:00pm EST,
Sat-Sun 8:30am to 4:00pm EST) www.dyson.com.au
NZ: 0800 397 667 (Mon-Fri 8:30am to 5:00pm) www.dyson.co.nz
SG: 7000 435 7546 (Mon-Fri 9:00am to 6:00pm) www.dyson.com.sg
ID: 021 707 39766 (Mon-Fri 9:00am to 5:00pm) www.dyson.co.id
MY: 603 7710 5877 (Mon-Fri 9:00am to 5:30pm,
Sat 9:00am to 1:00pm) www.dyson.my

SUMMARY OF COVER

Terms and conditions of the Dyson 2 year guarantee.

- The guarantee becomes effective from the date of purchase.
- All work will be carried out by Dyson Appliances (Aust) Pty Ltd., Avery Robinson Ltd. (NZ), Singapore's authorised agent – Service@Home Pte Ltd., Indonesia's authorised agent – PT Higienis Indonesia, Malaysia's authorised agent – Visionary Solutions or their authorised agents.
- Any parts replaced will become the property of Dyson Appliances (Aust) Pty Ltd., Avery Robinson Ltd. (NZ), Dyson Singapore Pte Ltd., PT Higienis Indonesia, Visionary Solutions.
- The repair or replacement of your Dyson handheld vacuum under guarantee will not extend the period of guarantee.
- The guarantee provides benefits which are additional to and do not affect your statutory rights as a consumer.
- You must provide proof of (both the original and any subsequent) delivery/purchase before any work can be carried out on your Dyson handheld vacuum. Without this proof, any work carried out will be chargeable. Please keep your receipt or delivery note.

WHAT IS COVERED

- The repair or replacement of your Dyson handheld vacuum if it is found to be defective due to faulty materials, workmanship or function within 2 years of purchase (if any part is no longer available or out of manufacture, Dyson will replace it with a functional replacement part).

WHAT IS NOT COVERED

Dyson shall not be liable for costs of repair or replacement of a product incurred as a result of:

- Normal wear and tear.
- Reduction in battery discharge time due to battery age or use.
- Industrial use of the Dyson handheld vacuum such as vacuuming gyprock dust or builders dust may void your guarantee.
- Accidental damage, faults caused by negligent use or care, neglect, careless operation or handling of the Dyson handheld vacuum which is not in accordance with this Dyson Operating Manual.
- Blockages – please refer to this Dyson Operating Manual for details on how to unblock your Dyson handheld vacuum.
- Use of the Dyson handheld vacuum for anything other than normal domestic purposes.
- Use of parts not assembled or installed in accordance with the instructions of Dyson.
- Use of parts and accessories other than those produced or recommended by Dyson.

- External sources such as transit damage or weather.
- Repairs or alterations carried out by parties other than Dyson or its authorised agents.
- If you are in any doubt as to what is covered by your guarantee, please call the Dyson Customer Care Helpline on:
Australia 1800 239 766
New Zealand 0800 397 667
Singapore 7000 435 7546
Indonesia 021 707 39766
Malaysia 603 7710 5877

ABOUT YOUR PRIVACY

Dyson may use this information for future marketing and research purposes (including sending commercial electronic messages) and may disclose it to third parties for the purposes of providing the services you have requested or to our business partners or professional advisers. If you wish to access your personal information or see our full privacy policy, please contact us at: customer-care@dyson.com.au

PRODUCT INFORMATION

Net weight: 1.52kg.

Please note: Small details may vary from those shown.

IMPORTANT!

WASH FILTER



Wash your filter with cold water regularly or as required.

Register for a filter wash reminder by email (Australia only);
customercare@dyson.com.au



Dyson Customer Care

If you have a query about your Dyson handheld vacuum, call the Dyson Customer Care Helpline with your serial number and details of where and when you bought the Dyson handheld vacuum, or contact us via the Dyson website. Your serial number can be found on the main body of the Dyson handheld vacuum, behind the filter.

AU Dyson Customer Care
customercare@dyson.com.au
1800 239 766
Dyson Appliances (Aust) Pty Ltd.,
PO Box 2835,
Taren Point, NSW 2229,
Australia
www.dyson.com.au

NZ Dyson Customer Care
dyson@averyrobinson.co.nz
0800 397 667
Avery Robinson Ltd.,
Unit F, 151D Marua Road,
Ellerslie, Auckland 1051,
New Zealand
www.dyson.co.nz

SG Dyson Customer Care
Singapore@dyson.com
7000 435 7546
Service @ Home Pte Limited,
2 Leng Kee Road,
#04-09A Thye Hong Centre,
Singapore 159086
www.dyson.com.sg

ID Dyson Customer Care
service@higienis.com
021 707 39766
PT. Higienis Indonesia
Permata Plaza Top Floor TF-04,
JI, M. H. Thamrin Kav. 57,
Jakarta 10350
Indonesia
www.dyson.co.id

MY Dyson Customer Care
dysonsupport@visionary.com.my
603 7710 5877
Visionary Solutions Sdn Bhd 49,
Wisma OTK 49,
Lorong Rahim Kajai 13,
Taman Tun Dr. Ismail,
60000, Kuala Lumpur.
www.dyson.my

Please take a few moments to answer our questions. They will help us develop new products for the future.

- 1 This handheld vacuum is...
 - My first handheld vacuum
 - A replacement handheld vacuum
 - An additional handheld vacuum

- 2 Which brand of handheld vacuum are you replacing or adding to?
 - Dyson
 - Piranha
 - Electrolux
 - Breville
 - Black and Decker
 - Other, please specify _____

- 3 Why did you choose to buy a Dyson handheld vacuum? (Please rank in order, 1-5, 1 being the most important).
 - Dyson reputation
 - Good for pet hair pick-up
 - No loss of suction
 - Features
 - Price/special offer
 - Store staff recommendation
 - Picks up more dust than others
 - Friend/family recommendation
 - Other

- 4 Where did you first hear about Dyson?
 - From friends and family
 - Saw it on the internet
 - From a TV/magazine advert
 - Saw it in a store catalogue
 - Saw it in a store
 - Recommended by salesperson

- 5 Where did you look for additional information?
 - Brand website
 - Online reviews and forums
 - Retail staff opinion
 - Retail catalogue
 - Didn't do any additional research

- 6 Do you own other Dyson products?
 - Vacuum cleaner
 - Fan
 - No

- 7 What is your average household income?
 - Less than \$45,000
 - Between \$45,000-\$74,000
 - Between \$75,000-\$100,000
 - Over \$100,000

- 8 Do you have any household pets?
 - Dog
 - Cat
 - No
 - Other, please specify _____

- 9 Does anyone in your household suffer from any of the following?
 - Asthma
 - Allergies
 - No

- 10 To which age group do you belong?

<input type="checkbox"/> 16-24	<input type="checkbox"/> 45-54
<input type="checkbox"/> 25-34	<input type="checkbox"/> 55-64
<input type="checkbox"/> 35-44	<input type="checkbox"/> 65+

- 11 Would you recommend a Dyson handheld vacuum to your family?
 - Yes
 - No

- 12 Do you have children?
 - Pre-school
 - Aged 5 - 17 years
 - Aged + 17 years
 - Children no longer at home
 - Pregnant
 - No children

- 13 Which best describes your house? (Tick one from each column).

<input type="checkbox"/> Own house	<input type="checkbox"/> Up to 2 beds
<input type="checkbox"/> Rented house	<input type="checkbox"/> 3-4 beds
<input type="checkbox"/> Own apartment/villa	<input type="checkbox"/> More than 4 beds
<input type="checkbox"/> Rented apartment/villa	
<input type="checkbox"/> Live with parents	
<input type="checkbox"/> Share accommodation	

THANK YOU FOR YOUR TIME





GUARANTEE FORM

Date of purchase / /

Country of purchase Australia New Zealand
 Singapore Indonesia

Serial number

Title Surname

First name

Address

Postcode

email

Telephone Mobile

Store of purchase

Privacy Act
Dyson may use this information for future marketing and research purposes (including sending commercial electronic messages) and may disclose it to third parties for the purposes of providing the services you have requested or to our business partners or professional advisers. If you wish to access your personal information or see our full privacy policy, please contact us at customer@dyson.com.au
If you do not wish to receive marketing information by these methods from Dyson please tick this box.

3 EASY WAYS TO REGISTER YOUR 2 YEAR GUARANTEE



REGISTER ONLINE

Visit our website to register your full parts and labour guarantee online (Australia and New Zealand only).

AU: www.dyson.com.au/register
NZ: www.dyson.co.nz/register



REGISTER BY PHONE

Call our dedicated Helpline.

AU 1800 239 766
NZ 0800 397 667
SG 7000 435 7546
ID 021 707 39766
MY 603 7710 5877



REGISTER BY MAIL

Complete and return the form to Dyson in the envelope supplied (not available in Malaysia).

