

dyson

**DC
07**



Please read this guide carefully before use.

Owner's Manual

JN: 16831	PN: 10682-01-02	COUNTRY: UK
TITLE: CANADA OWNERS MANUAL (ENGLISH)		
PROOF No: latest	DATE: 30.05.07	ARTWORKER: JT
SIZE: (W) 297 mm x (H) 210 mm		
No of PAGES: 20	PROOF SIZE: 100 %	
COLOUR SPEC:	CMYK	CUTTER: O32 C

IMPORTANT SAFETY INSTRUCTIONS

When using an electrical appliance, basic precautions should always be followed, including the following:

**READ ALL INSTRUCTIONS
BEFORE USING THIS
VACUUM CLEANER**

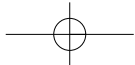
SAVE THESE INSTRUCTIONS

**THIS APPLIANCE IS INTENDED
FOR HOUSEHOLD USE ONLY**

WARNING

TO REDUCE THE RISK OF FIRE, ELECTRIC SHOCK OR INJURY:

- 1 Do not leave plugged in. Unplug from electrical outlet when not in use and before servicing.
- 2 Do not use outdoors or on wet surfaces or to vacuum water or other liquids – electric shock and personal injury could occur.
- 3 Do not allow to be used as a toy. Close attention is necessary when used near children.
- 4 You are responsible for making sure that your vacuum cleaner is not used by children or by anyone unable to operate it properly.
- 5 Use only as described in this manual. Use only with Dyson recommended or approved attachments and accessories.
- 6 Check to ensure your electricity supply corresponds to that shown on the rating plate, which can be found on the base of the machine between the wheels. The machine must only be used as rated.
- 7 Do not use with a damaged cord or plug. If the machine is not functioning properly, has been dropped, damaged, left outdoors, or immersed in liquid, do not use the machine and contact the Dyson Helpline on 1-877-397-6622.
- 8 Do not pull or carry by the cord, do not use the cord as a handle, do not close a door on the cord or pull the cord around sharp edges or corners. Do not run the machine over the cord. Keep the cord away from heated surfaces and open flames.
- 9 Do not unplug by pulling on the cord. To unplug, grasp the plug, not the cord.
- 10 Do not handle the plug or machine with wet hands.
- 11 Do not use the machine without the Clear bin™ and the filters in place.
- 12 Do not put any objects into openings in the machine. Do not use with any opening blocked; keep free of dust, lint, hair and anything that may reduce air flow.
- 13 Keep hair, loose clothing, fingers, and all parts of body away from openings in the machine and moving parts such as the brushbar.
- 14 Do not use the machine to pick up sharp hard objects, small toys, pins, paper clips etc. They may damage the machine.
- 15 The use of an extension cord is not recommended.
- 16 Store the machine indoors. Put the machine away after use to prevent tripping accidents, with the cord coiled safely.
- 17 Turn off all controls before unplugging.
- 18 Take extra care when cleaning on stairs; always work with the machine at the bottom of the stairs. Do not put the machine on chairs, tables etc, keep it on the floor.
- 19 Do not pick up anything that is burning or smoking, such as cigarettes, matches, or hot ashes.
- 20 Do not use to pick up flammable or combustible liquids, such as gasoline, or use in areas where they may be present.
- 21 When vacuuming, certain carpets may generate small static charges in the Clear bin™ or wand. These are not associated with the electricity supply. To minimize any effect from this, do not put your hand or insert any object into the Clear bin™ unless you have first emptied it and rinsed it out with cold water.
- 22 Use only identical Dyson replacement parts.
- 23 Do not carry out any maintenance or repair work other than that shown in this manual or advised by the Helpline.

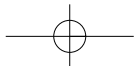
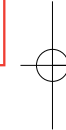
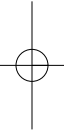


Owner's Manual

Please read this guide carefully before use.

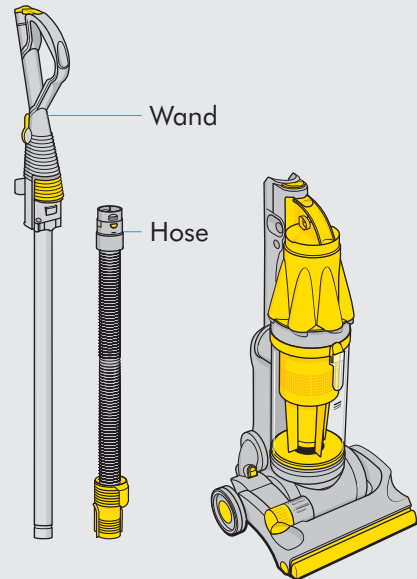
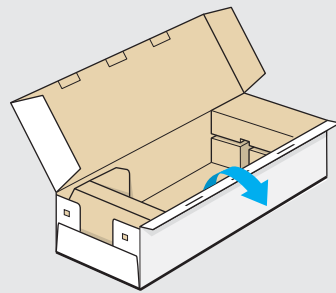
Important safety instructions	Page 2
Assembling your DCO7	4
Using your DCO7	6
Using the tools	8
Using the accessories	10
Emptying the Clear bin™	12
Cleaning the filter	14
Where to look for blockages	16
Warranty and customer care	18

Contents



Assembling your DCO7

Box contents



Wand

Hose



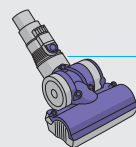
Stair tool



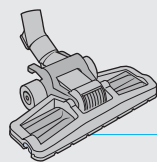
Brush tool



Crevice tool



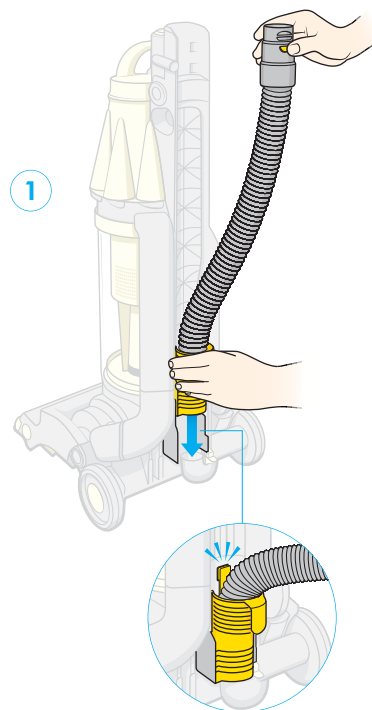
Mini turbine head
Supplied with certain models only, or available as an accessory.



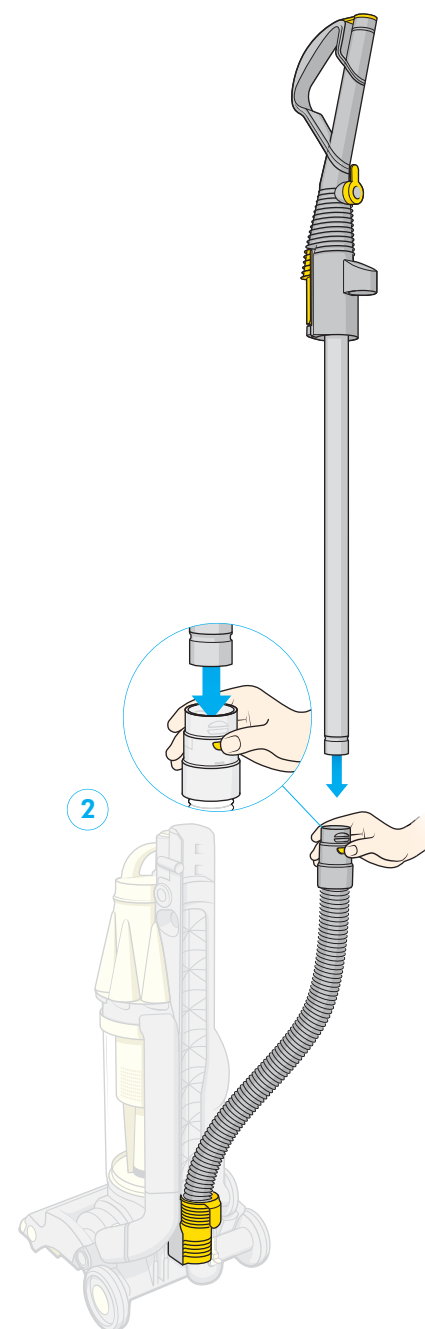
Floor tool
Supplied with certain models only, or available as an accessory.



Cleaning Kit
Supplied with certain models only, or available as an accessory.



1



2

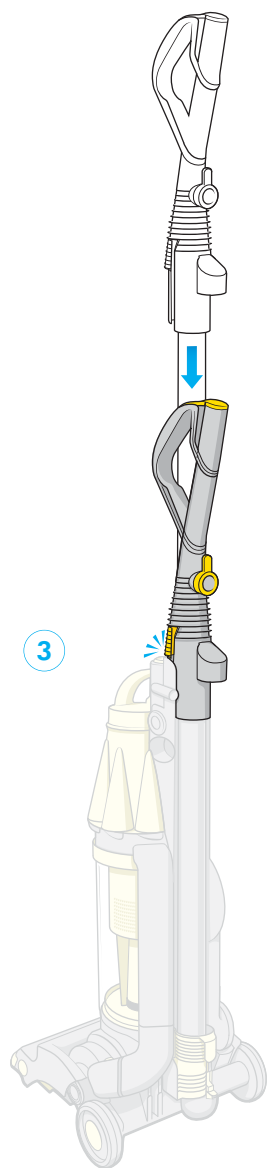
Assembling your DCO7

This machine was inspected and packaged carefully before being shipped from the factory.

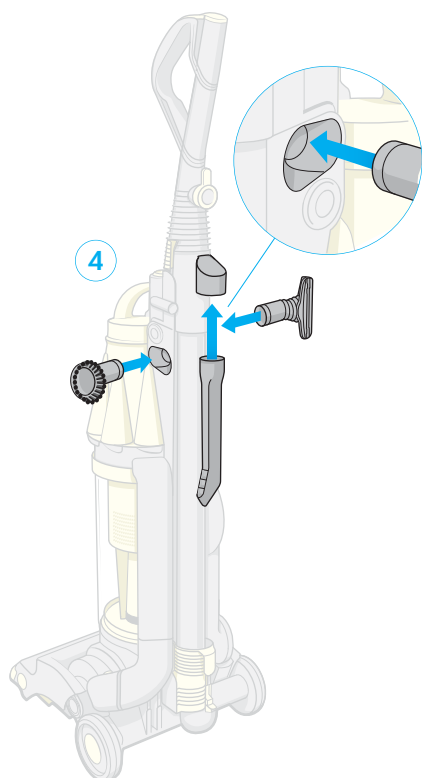
If you need assistance during assembly or operation, please call the Dyson Helpline on 1-877-397-6622.

- 1 Slide the hose into the guides at the back of the machine, pushing the tab securely into place.

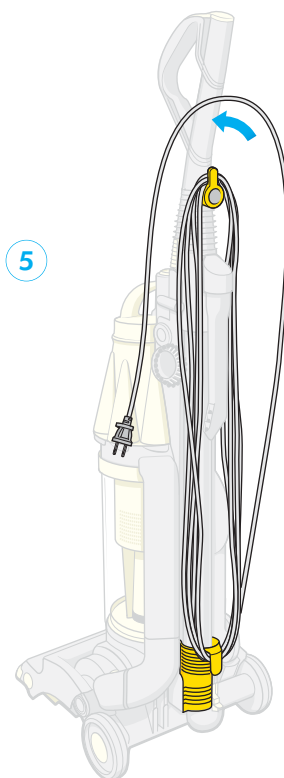
- 2 Pressing the wand release button, slide the wand down inside the hose.



3 Slide the wand into the top of the machine until it clicks securely into place. You may need to press firmly and should hear a 'click' sound.



4 Push the brush and stair tools securely into the storage holes on either side of machine. Fit the crevice tool into the tool clip on the back of the wand.



5 Store the cord safely by winding counter-clockwise around the cord winders and securing with the cord clip.

Assembling your DCO7

Using your DCO7

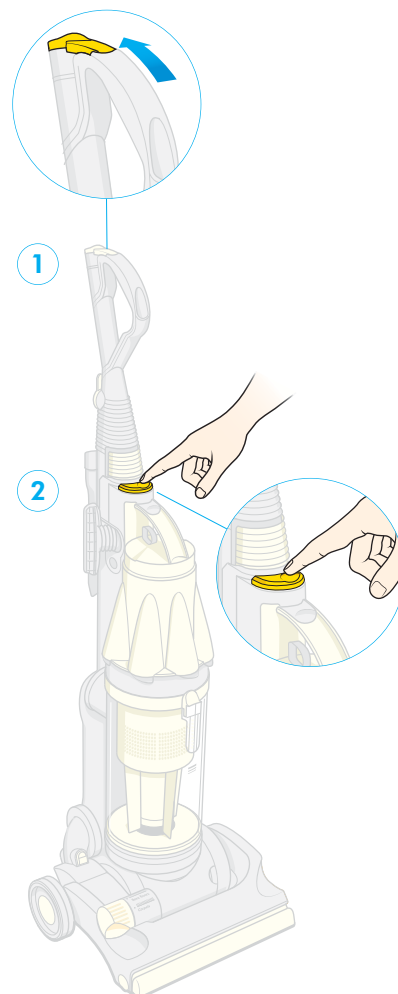
⚠ WARNING

- To reduce the risk of electric shock and personal injury, this appliance has a polarized plug (one blade wider than the other). This plug will fit in a polarized outlet only one way. If the plug does not fit fully in the outlet, reverse the plug. If it still does not fit, contact a qualified electrician to install the proper outlet. Do not force the plug into the outlet. Do not alter the plug in any way.

⚠ CAUTION

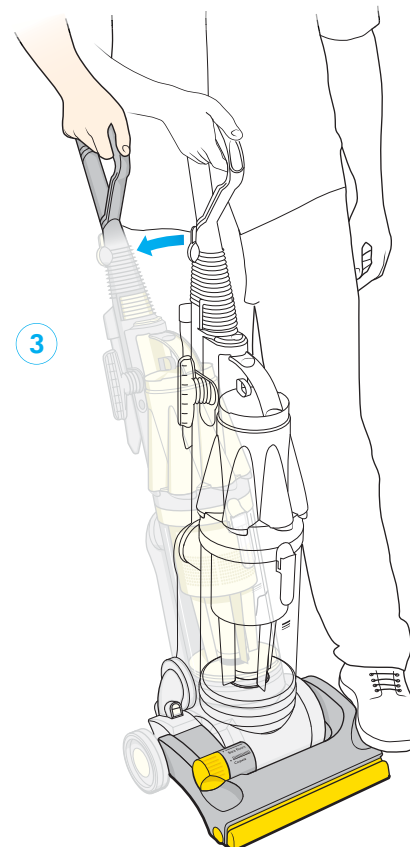
- Keep hair, loose clothing, fingers, and all parts of the body away from openings and moving parts.
- This machine is fitted with a belt protection system. If any item becomes caught in the brushbar (e.g. rug fringe), you will hear a loud 'ratchet' warning noise. To rectify, turn the machine off, disconnect from the electrical outlet and clear any obstruction (see page 15), checking that the brush control is set to the correct position for the floor surface before re-starting the machine.

Please note: This machine is intended for domestic use only. Fine dust such as plaster dust or flour should only be vacuumed in small amounts.

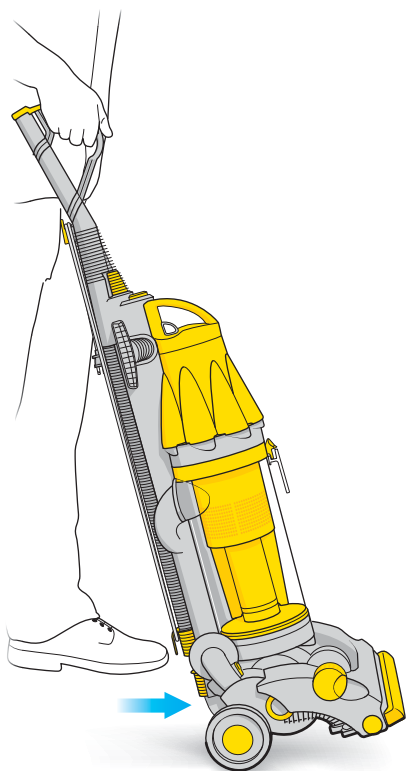


Switching on/off

- 1 Make sure you have read and understood all safety instructions before using the machine for the first time. The wand cap should be closed when not using the tools.
- 2 Plug into electrical outlet and press the on/off switch.

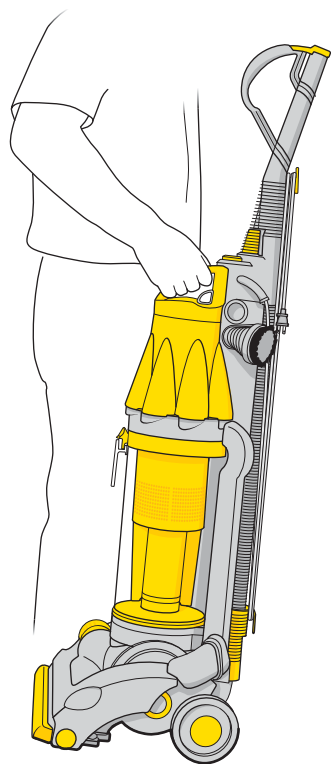


- 3 To start vacuuming, push the front of the cleaner head down with your foot and tilt the handle backwards.



Transporting your Dyson

To move the machine from room to room, ensure it is upright, with the cord stored on the cord winders and the wand securely in place. Tilt back on the rear wheels and push forward.

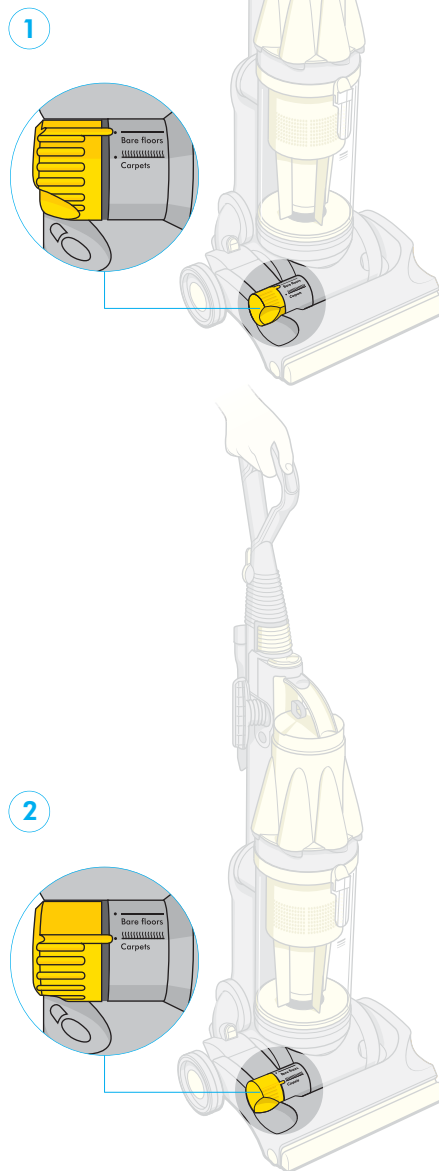
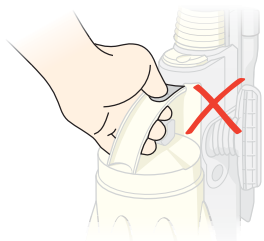


Carrying your DCO7

Your DCO7 should be lifted by using the carry handle.

CAUTION

- Do not shake the machine when carrying.
- For your safety **do not** press the cyclone release catch when carrying your machine.



Brush control system

- 1 Bare floors:** Use this setting to stop brushbar from turning when vacuuming delicate rugs and bare floors.
- 2 Carpets:** Use this setting so brushbar turns when vacuuming carpets.

Note: the brushbar will not turn until you begin to vacuum.

Using your DCO7

Using the tools

Using the tools

Choosing the right tool

The tools allow you to clean surfaces above the floor and to reach hard to clean areas. Ensure the machine is in an upright position before using tools.

- A Brush tool** – with soft bristles to dislodge dust and cobwebs. The brush head twists to make cleaning easier.
- B Stair tool** – with velour strips to pick up hairs and an agitating edge to lift the carpet. The tool channels airflow downward for better pick-up without sticking to upholstery. The head twists to make cleaning easier.
- C Crevice tool** – reaches deep into nooks and crannies. Ideal for cleaning along baseboards and in tight corners. The tool channels airflow downward for better pick-up without sticking.
- D Mini turbine head** – the air powered brushbar ensures effective removal of pet hair and fibers in confined spaces such as stairs, upholstery and in the car. Supplied with certain models only, or available as an accessory for other models – contact the Dyson Helpline or www.dyson.com to order.
- E Floor tool** – to reach under furniture. Adjustable for hard floors or carpets. Maintains perfect contact with the floor to optimize pick-up. Supplied with certain models only, or available as an accessory for other models – contact the Dyson Helpline or www.dyson.com to order.

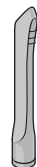
A



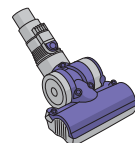
B



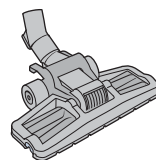
C



D

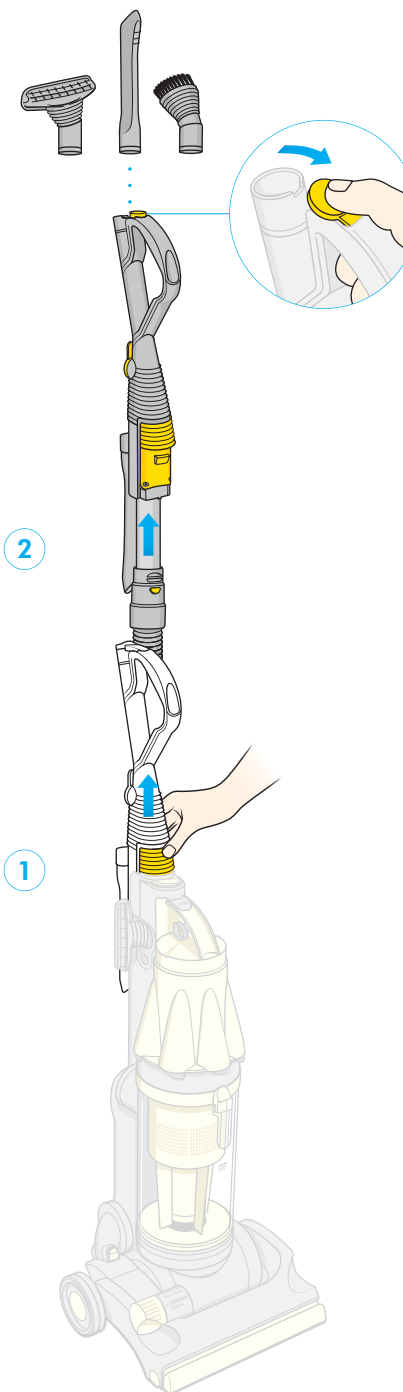


E



How to clean your tools

The brush tool, stair tool and crevice tool may be washed in warm water with a detergent. Rinse and air dry thoroughly before using. You may wipe the outside of the floor tool or turbo tool/mini turbine head with a damp cloth, but do not submerge in water. Do not attempt to clean any tools when they are attached to the machine.



2

1

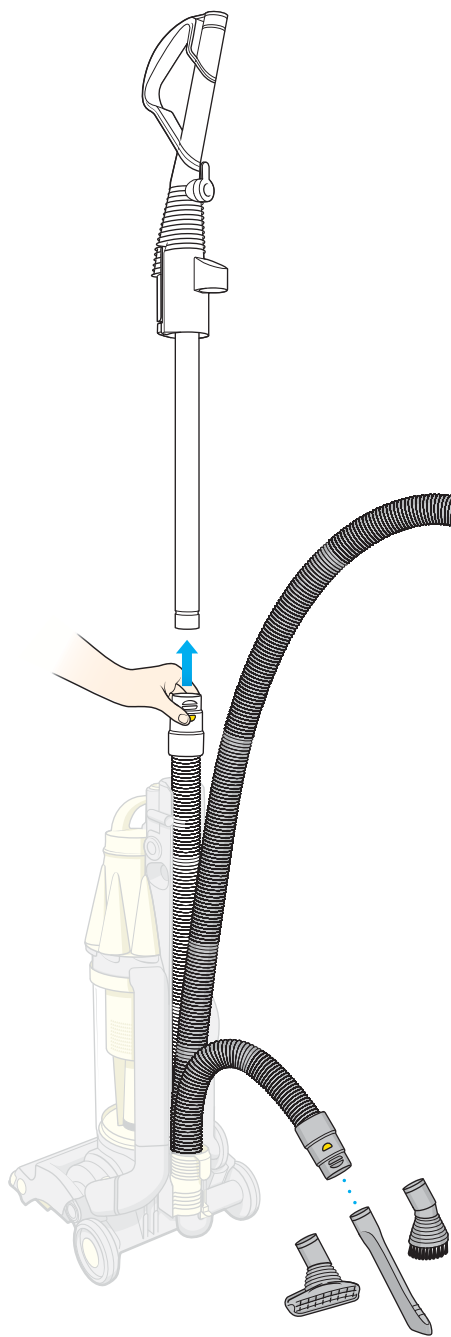
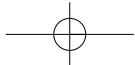
Attaching tools

- 1 Press the quick-draw hose release to detach the hose/wand from the machine.
- 2 Slide the wand to the end of the hose.

All Dyson tools can be used in the following ways:

Wand mode

Slide back the wand cap and fit one of the tools directly on to the wand handle.

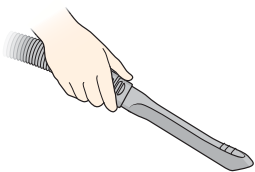


Hose mode

Press the wand release button and remove the wand. Fit one of the tools directly on to the end of the hose. Use tools for confined spaces such as car cleaning.

⚠ FOR YOUR SAFETY

- When the hose is fully extended, grasp firmly by the hose, not the tool.



Reversed wand mode

Reverse the wand and click into the end of the hose, pressing the wand release button to ensure a correct fit. Fit one of the tools on to the end of the wand. Use tools for easier handling in hard to reach areas.

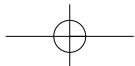
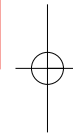
Stair cleaning

Use the hose and stair tool or turbo tool for stair cleaning. The hose will stretch all the way to the top of an average staircase so you can leave your machine at the bottom.

⚠ CAUTION

- To avoid personal injury and to prevent the machine from falling when cleaning stairs, always place it at the bottom of the stairs.

Using the tools



Using the accessories

Using the accessories

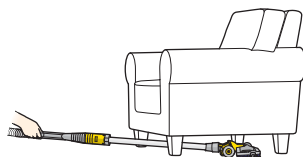
For your safety

Please read your Dyson Owner's Manual carefully, including the safety instructions, before attaching or using any of the tools.

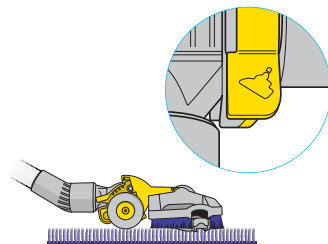


Low reach floor tool

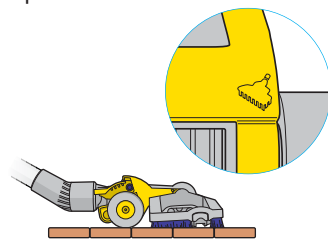
- Low furniture



- 1 Carpet – Press rear pedal

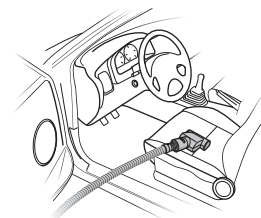


- 2 Bare floors – Press front pedal

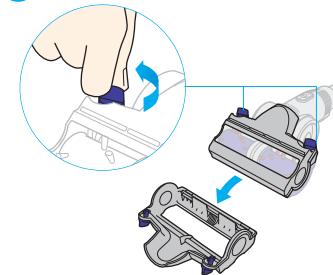


Mini turbine head

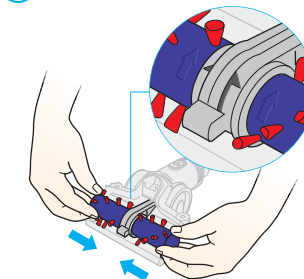
- Car cleaning



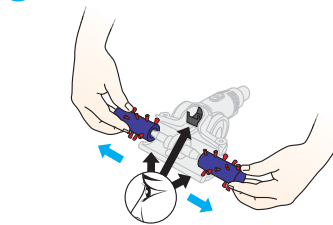
- 1 Remove soleplate



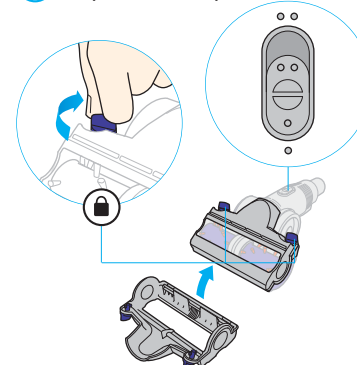
- 2 Remove brushbars

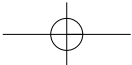


- 3 Replace brushbars



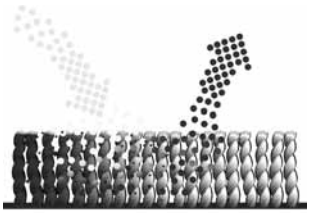
- 4 Replace soleplate



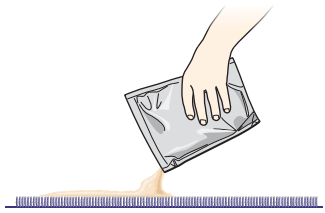


Zorb carpet powder

- Carpet cleaning



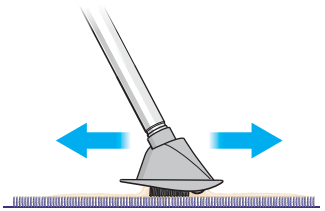
- 1 Sprinkle Zorb onto carpet



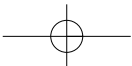
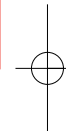
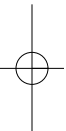
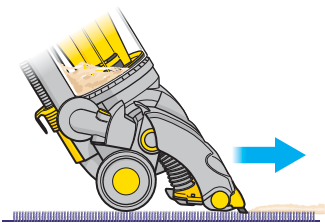
- 2 Ensure machine is turned off



- 3 Work into carpet pile



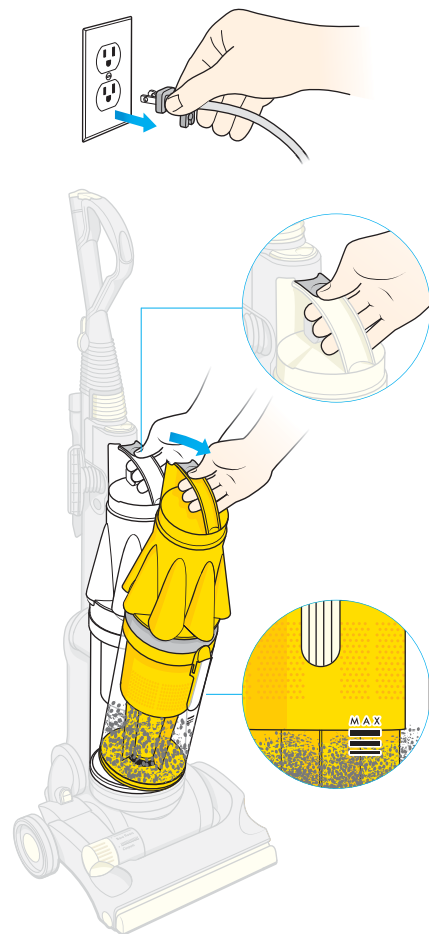
- 4 Vacuum the carpet



Emptying the clear bin™

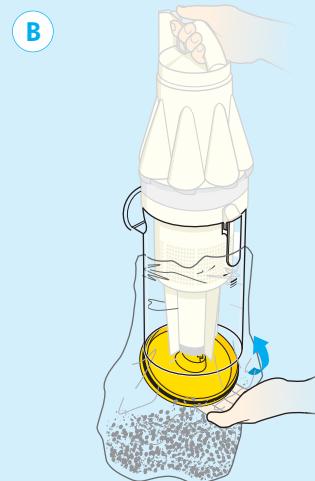
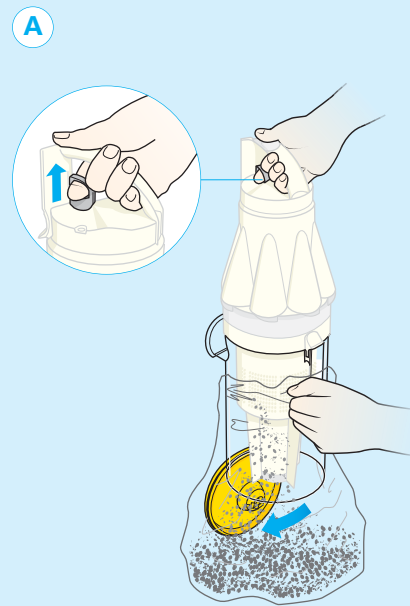
Emptying the
Clear bin™**⚠ CAUTION**

- Disconnect the machine from the electrical outlet before emptying the bin. Failure to do so could result in electric shock or personal injury.



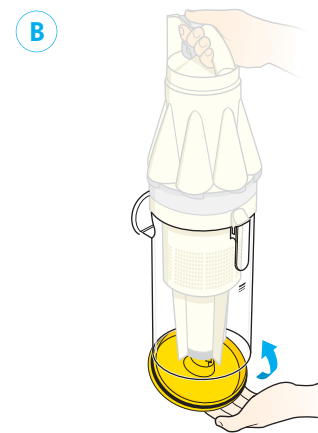
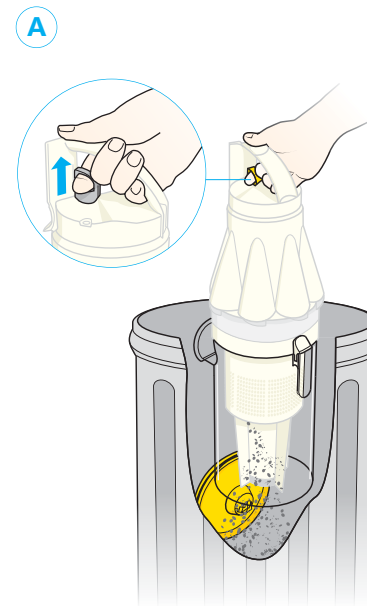
To ensure your machine continues to clean effectively, the Clear bin™ must be emptied when the dust reaches the **MAX** mark.

Press the cyclone release catch with your thumb to remove the Clear bin™ assembly from the machine.

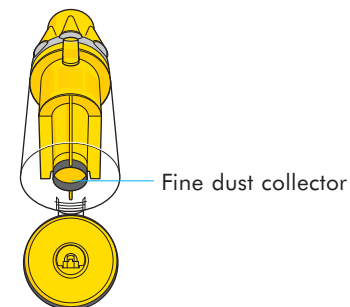
**Clear bin™ emptying option 1**

Wipe the outside of the Clear bin™ with a damp cloth.

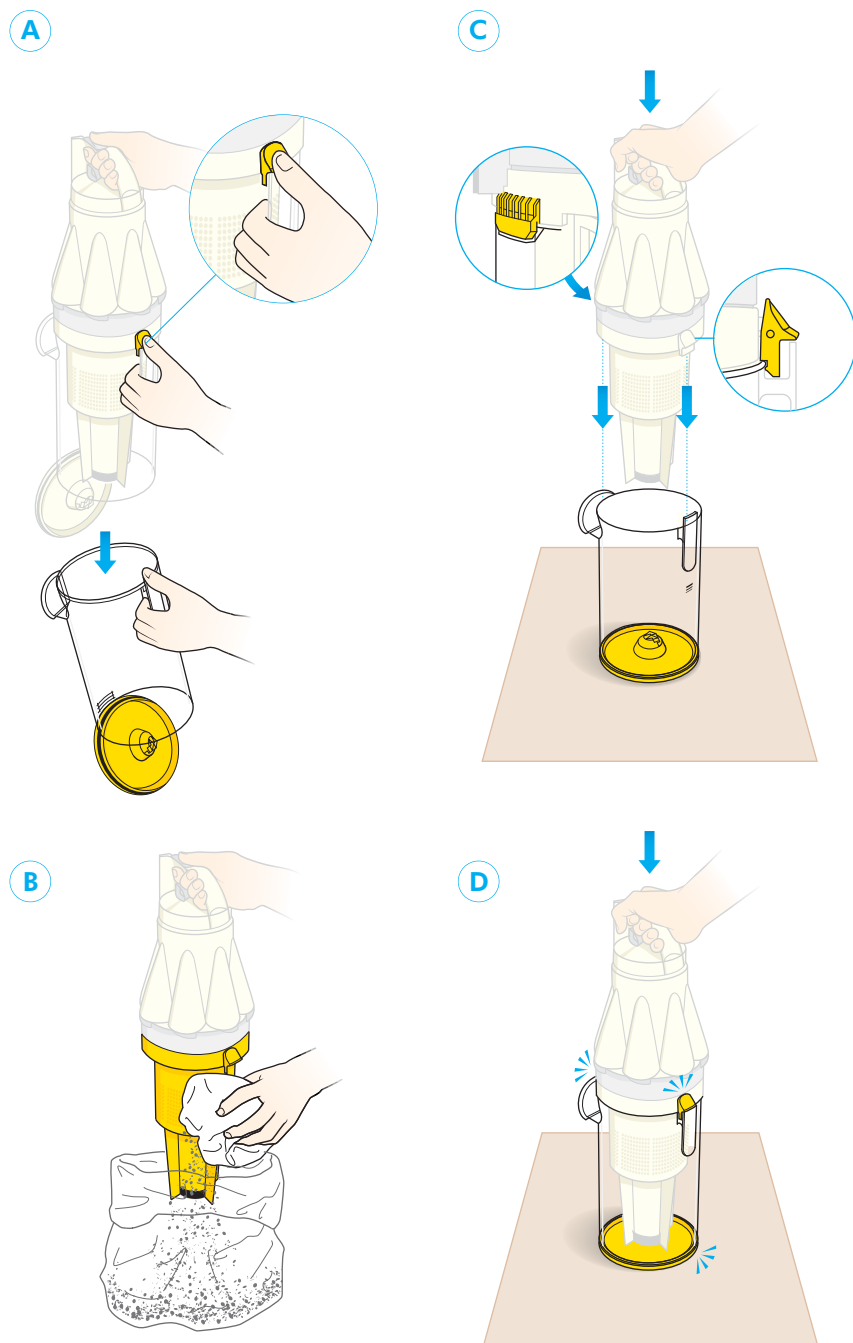
- Place the bin inside a bag, close the bag around the bin and pull the trigger to release dust. Shake or tap firmly to remove all dust from inside the fine dust collector.
- Let the dust settle, then press firmly on the centre of the bin base to close before removing from the bag. Seal the bag carefully and replace the bin.

**Clear bin™ emptying option 2**

- Pull the trigger to release dust directly into a garbage can or wastebasket. Shake or tap firmly to remove all dust from inside the fine dust collector.



- Press firmly on the center of the Clear bin™ base to close.



Shroud cleaning

(when necessary)

To remove any build-up of lint or large dust particles on the shroud:

Ensure the Clear bin™ is empty and the Clear bin™ base is open.

- A** Press the bin release catch to remove the Clear bin™.
- B** Clean the shroud with a cloth or dry brush to remove the lint and dust.

⚠ CAUTION

- Do not use the machine without the Clear bin™ in place.

To reassemble the Clear bin™, place on the floor with the Clear bin™ base closed.

- C** Holding the carry handle, put the cyclone assembly inside the Clear bin™, line up the front and rear catches and push down to click the catches into place.
- D** Ensure the Clear bin™ is secure before replacing on the machine.

Clear bin™ cleaning

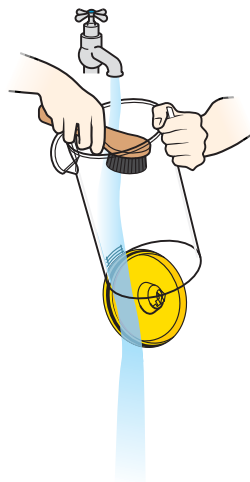
(optional)

- You may rinse the Clear bin™ with water. Rinse only the Clear bin™ – do not rinse the inner cyclone, shroud or cones.

⚠ CAUTION

- Do not use detergents.
- Do not immerse any other part of the machine in water.
- Ensure the Clear bin™ is completely dry before replacing.

Emptying the clear bin™

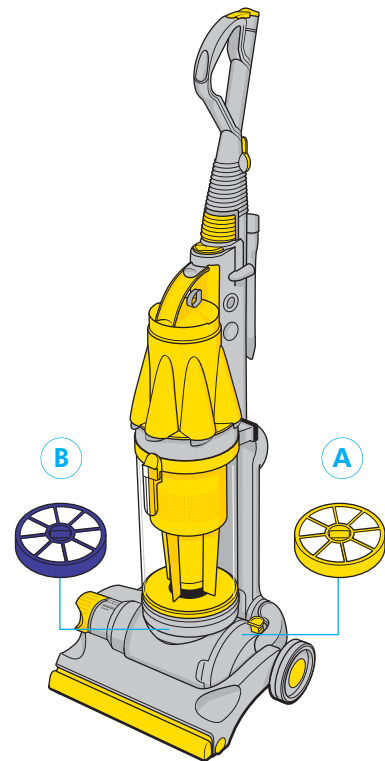
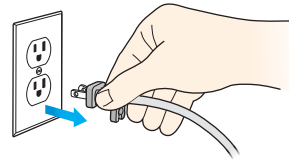


Cleaning the filter

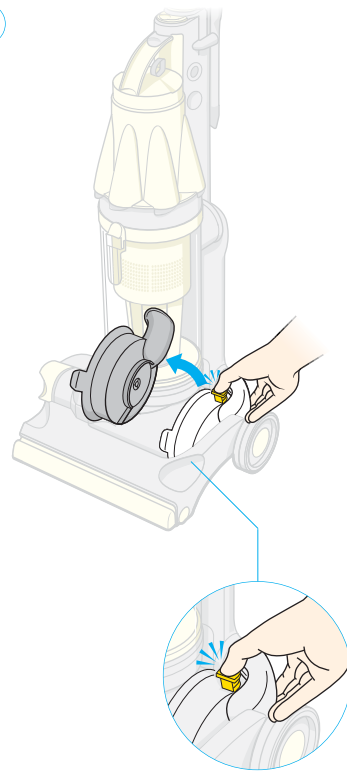
Cleaning the filter

⚠ CAUTION

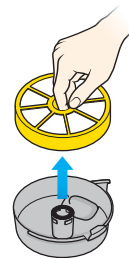
- Disconnect the machine from the electrical outlet before removing filter. Failure to do so could result in electric shock or personal injury.



1



2



3

**A Pre-motor filter**

Rinse at least once every six months in accordance with the instructions opposite. If machine is regularly used for vacuuming very fine dust such as plaster dust or carpet fresheners, you may need to rinse more often.

B Post-motor filter

This is a permanent filter – it does not require rinsing or replacement. Do not remove or attempt to rinse this filter.

1 Press the filter release catch to remove the filter housing from the machine.

2 Remove the filter from the housing.

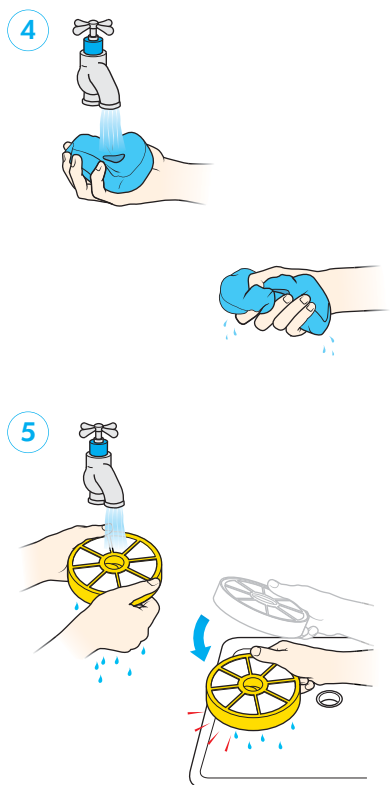
Only the blue foam pad and the yellow cage should be rinsed – not the filter housing.

3 Submerge the filter and cage in cold water and rinse thoroughly.

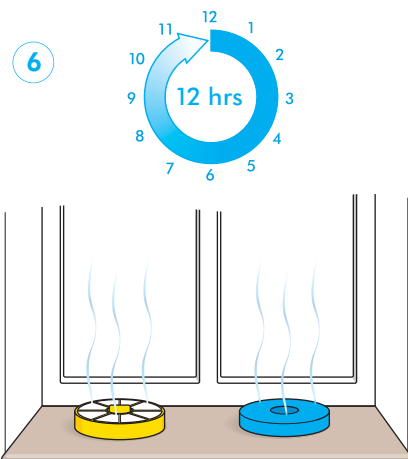
⚠ CAUTION

- Rinse in cold water only.
- Do not use detergent.
- Do not put in a washing machine or dishwasher.

Cleaning the filter



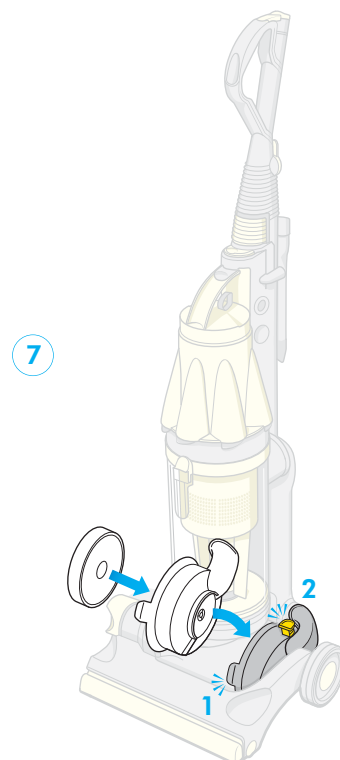
- 4** Rinse the blue foam pad and squeeze gently, repeating until the water runs clear.
- 5** Rinse the yellow cage and tap firmly, repeating until the water runs clear.



- 6** Leave in a warm place to dry for 12 hours. Make sure the filter is completely dry before replacing in the machine.

⚠ CAUTION

- Do not dry in an oven or microwave.
- Do not dry in a clothes dryer.
- Do not dry near an open flame.



- 7** When the blue filter pad and yellow cage are completely dry, replace in the filter housing and click back into machine, pressing points 1 and 2 firmly to secure.

⚠ CAUTION

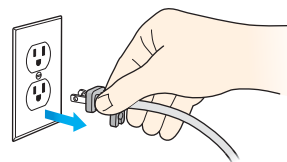
- Do not use the machine without the filter in place.

Where to look for blockages

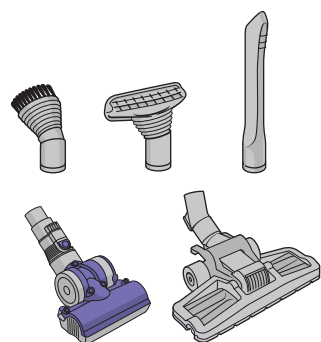
Where to look for blockages

CAUTION

- Disconnect the machine from the electrical outlet before starting to look for blockages. Failure to do so could result in electric shock or personal injury.

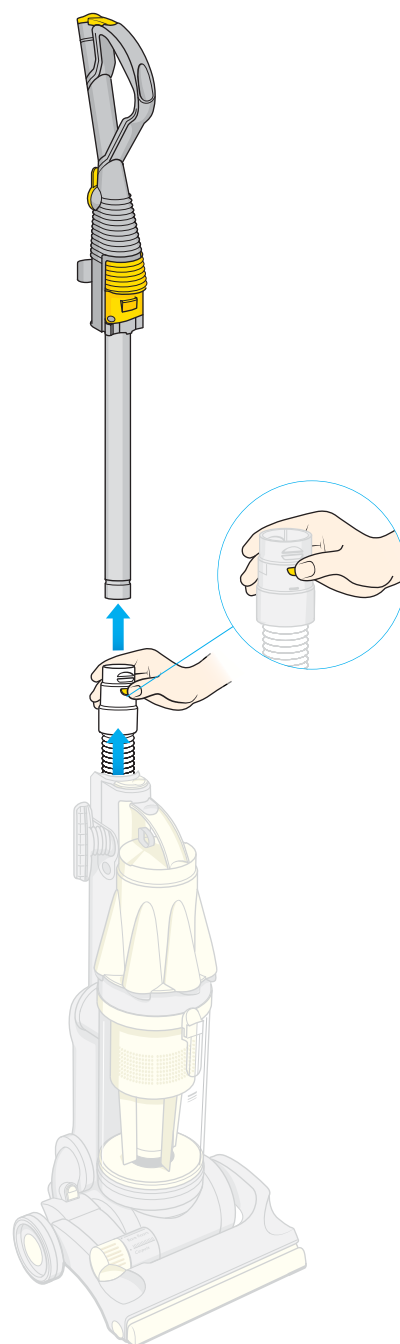


Please note: Should any part of the machine become blocked, the motor may overheat and stop due to the thermal cut-off being triggered. Disconnect from electrical outlet and let the machine cool down for at least 30 minutes before clearing the blockage.

**Tools**

Check that the tools are clear of blockages.

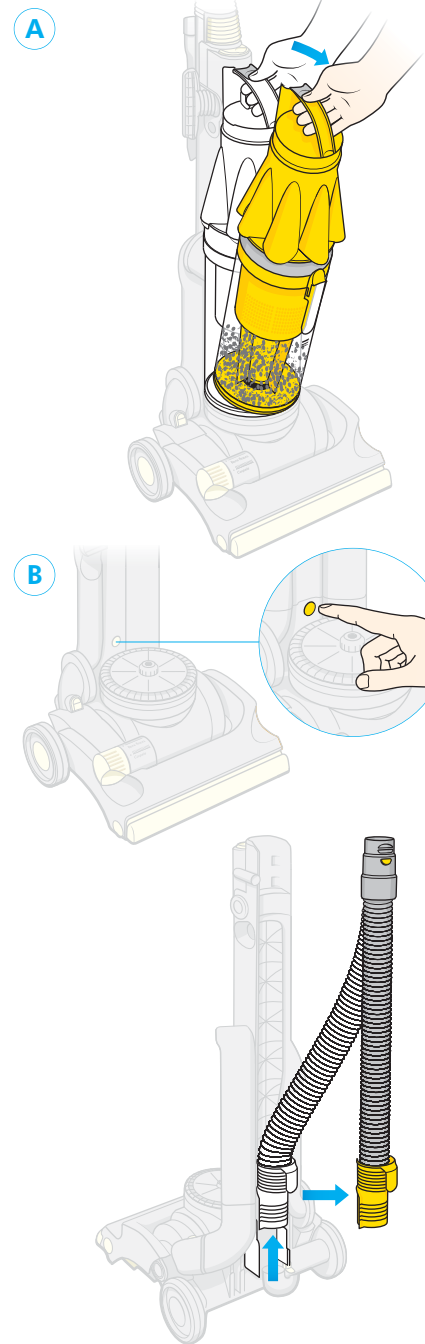
- Please note: Clearing blockages is not covered by your machine's limited warranty, please call the Dyson Helpline on 1-877-397-6622.

**Wand**

Press the wand release button to remove the wand from the hose. Check inside wand for blockages.

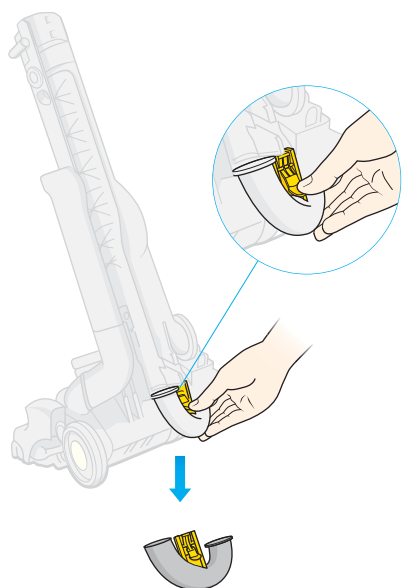
CAUTION

- Beware of sharp objects when clearing blockages.

**Hose**

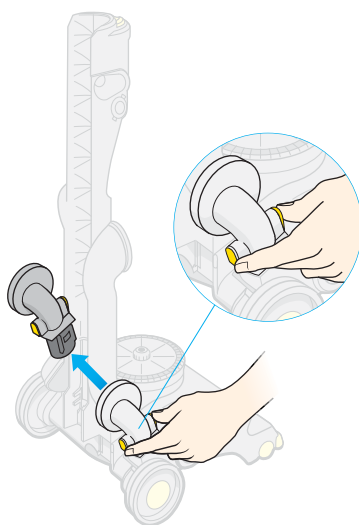
A Press the cyclone release catch to remove the Clear bin™ assembly from the machine.

B Press the hose release button from the front of machine and slide the hose out from the rear, holding the lower cord winder. Check inside the hose for blockages.



U-bend airway inspection

- Tilt the machine forward to slide out the U-bend airway inspection.
- Check inside for blockages.

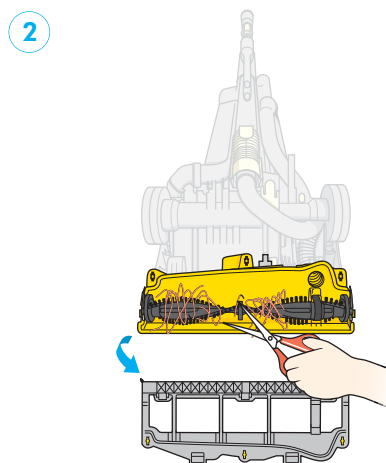
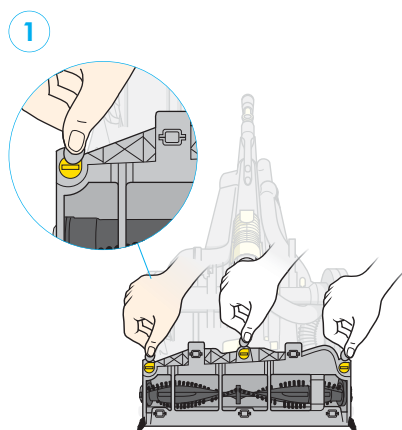


Airway inspection valve

- Squeeze the valve release catches to remove the airway inspection valve.
- Check inside for blockages.

! CAUTION

- The ratchet noise warns that the brushbar is obstructed. Disconnect the machine from the electrical outlet before removing the obstruction.



Brushbar

Lay the machine on its front.

- 1 Undo the colored soleplate fasteners using a coin and remove the soleplate.
- 2 Clear the brushbar obstruction, carefully cutting away any threads with a pair of scissors.

Replace the soleplate and tighten the fasteners.

! CAUTION

- Make sure all parts have been replaced securely before using your machine.

Where to look for blockages

Dyson customer care

If you have a question about your Dyson vacuum cleaner, call the Dyson Helpline at 1-877-397-6622 with your serial number and details of where/when you bought the cleaner. The serial number can be found on the base of your machine between the wheels.

Most questions can be solved over the phone by one of our Helpline staff.

If your cleaner needs service, call the Dyson Helpline we will discuss with you the options available for service. If your machine is under warranty, your machine will be repaired at no cost. To reach the Dyson Helpline call at 1-877-397-6622, or visit Dyson online at www.dyson.com

Limited 5 year household warranty

Thank you for choosing to buy a Dyson.

To help us ensure you receive prompt and efficient service, please register your purchase with us.

There are two ways to do this:

- You can register by completing and returning the enclosed form to us by post.
- Alternatively you can register on line at www.dyson.com

This will confirm your ownership of your Dyson in the event of an insurance loss, and enable us to contact you if necessary. If you have any questions about your Dyson, please call our customer helpline on 1-877-397-6622, 6 days a week, or log on to our website at www.dyson.com

What is covered

Your Dyson vacuum cleaner is warranted against original defects in material and workmanship for a period of five years from the date of purchase, when used for private household purposes in accordance with the Dyson Owner's Manual. This warranty provides, at no cost to you, all labour and parts to place your vacuum cleaner in proper operating condition during the warranty period.

This warranty is subject to the following terms:

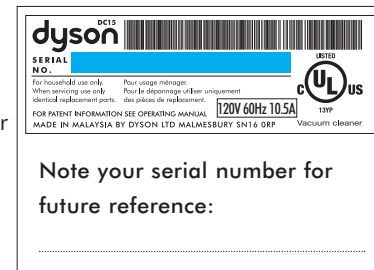
What is not covered

Dyson Canada Ltd. shall not be liable for costs, damages, or injuries incurred as a result of:

- Machines purchased from an unauthorized dealer.
- Clearing blockages from your machine.
- Use of parts not assembled in accordance with the Owner's Manual.
- Careless operation or handling, misuse and/or lack of maintenance or use not in accordance with the Owner's Manual.
- External sources such as weather.
- Repairs or alterations carried out by unauthorized parties or agents.
- Use of the vacuum cleaner other than for normal domestic household purposes within Canada, e.g. for commercial or rental purposes.
- Use of parts and accessories other than those produced or recommended by Dyson Canada Ltd.

Note your serial number for future reference:

Terms and Conditions of the Dyson 5 year limited warranty



Note your serial number for future reference:

.....

Warranty Service

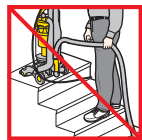
- Please fill out and return the Product Registration Form, or register online at www.dyson.com
- Before service can take place, the terms of the warranty require that you contact the Dyson Helpline with your model name/number, serial number, date and place of purchase. Please keep your purchase receipt in a safe place to ensure you have this information. The serial number is found on the vacuum cleaner's rating plate, which is on the base of the machine between the wheels.
- All work will be carried out by Dyson Canada Ltd. or its authorized agents.
- Any replaced defective parts will become the property of Dyson Canada Ltd.
- The fitting of replacement parts will not extend the period of this warranty.
- If your machine is not functioning properly, please call the Dyson Helpline on 1-877-397-6622. Most issues can be rectified over the telephone by our trained customer care staff. If this is not possible Dyson Canada Ltd. will arrange for your vacuum cleaner to be repaired and returned in full working order at no extra cost to yourself.

Warranty Limitations and Exclusions

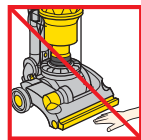
- Any representations, warranties or conditions relating to your vacuum cleaner, express or implied, statutory or otherwise, including but not limited to warranty of merchantability or warranty of fitness for a particular purpose, are limited to the duration of this warranty. This limitation is not allowed by some provinces and so this limitation may not apply to you.
- Your remedy for breach of this warranty is limited to the warranty service described above. Dyson Canada Ltd. will not be liable for any consequential damages or incidental damages you may incur in connection with your purchase and use of your vacuum cleaner. This limitation is not allowed by some provinces and so this limitation may not apply to you.
- In no event shall Dyson Canada Ltd. be liable for any damages arising directly or indirectly from any tort (including negligence or gross negligence) committed by Dyson Canada Ltd. its affiliates, agents or employees, or for any breach of contract, fundamental or otherwise.
- This warranty gives you specific legal rights. You may also have other rights which vary by province.



Do not pull on the cord.



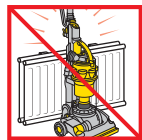
Do not place on stairs above you.



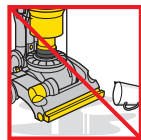
Do not put your hands near the brushbar when in use.



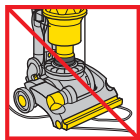
Do not use near open flame.



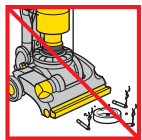
Do not leave cleaner near heat sources.



Do not pick up water or liquids.



Do not run over the cord.



Do not pick up burning objects.

This product is protected by the following intellectual property rights:

Patent/Patent Application numbers: CA 1,241,809; US 4,573,236; US 6,526,623; CA 2,313,177; US 6,691,849; CA 2,315,078; US 6,289,553; US 6,425,931; US 6,461,508; CA 2,351,552; US 6,572,078; CA 2,346,382; US 6,519,807; US 6,442,791; CA 2,400,404; US 10/220,039; CA 2,438,855; US 10/468,653; US10/363,918; CA 2,439,250; US10/468,676; CA 2,439,032; US10/468,870; CA 2,438,077; US10/640,568; CA 2,442,218; US 10/474,684; CA 2,438,069; US 10/468,442; CA 2,438,079; US 10/468,304; CA 2,438,073; US 10/467,671

Registered Design/Application numbers: CA 97,332; USD 475,820; CA 86192; US D427,737; CA 107215

Please note: Small details may vary from those shown.

www.dyson.com