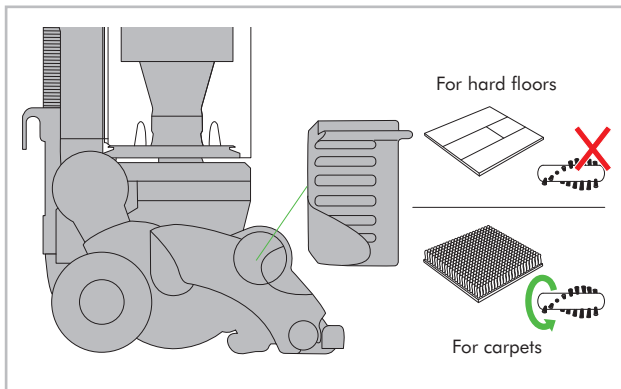
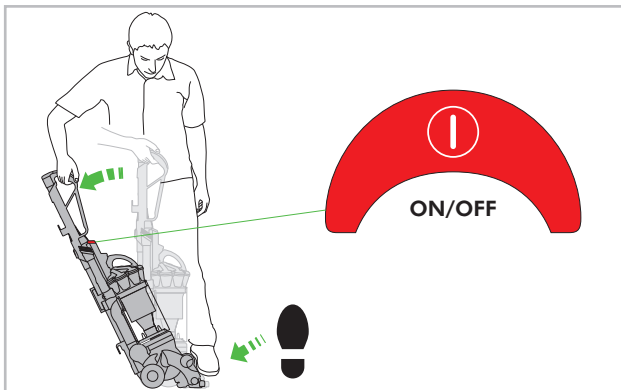
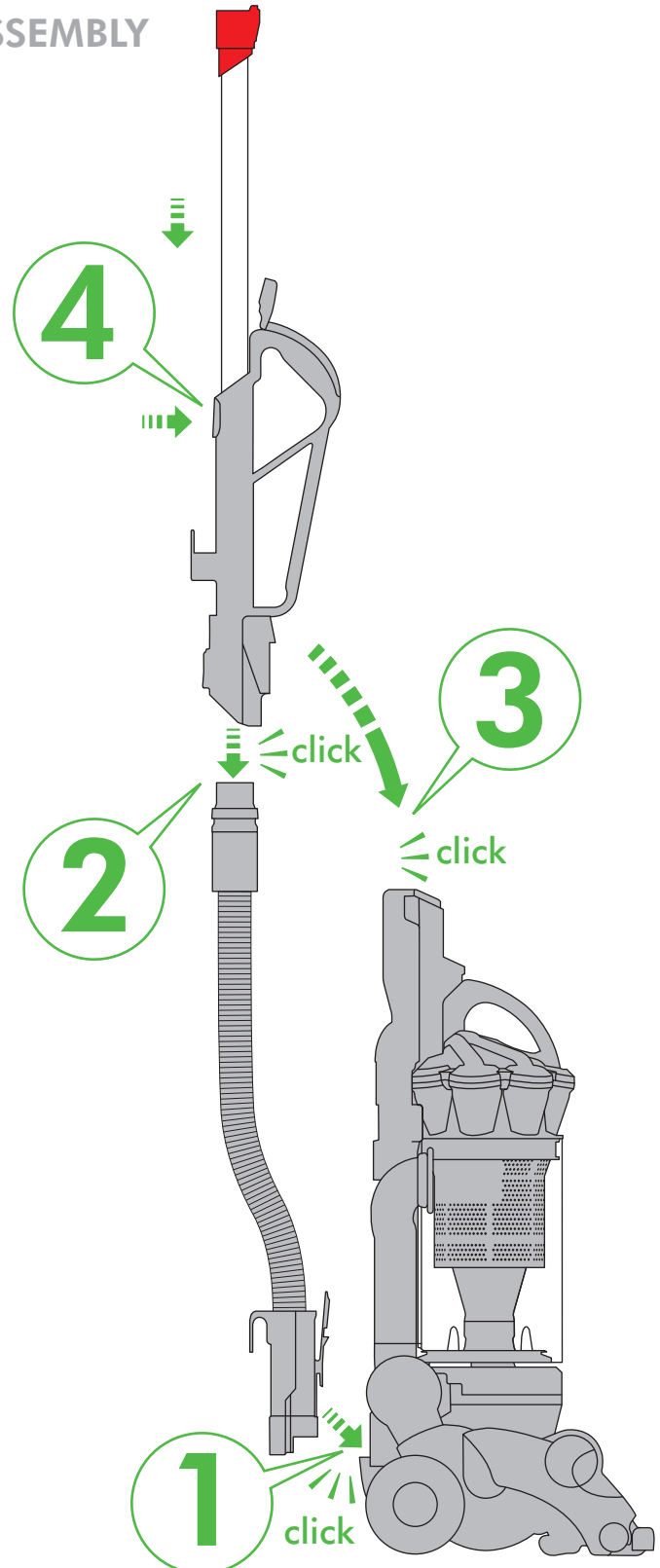


DC33 MULTI FLOOR



ASSEMBLY



Your Dyson appliance will be covered for parts and labour for 2 years from the date of purchase, as detailed in the terms of the Dyson guarantee on page 9 of this Dyson Operating Manual.

If you have a query about your Dyson appliance, call the Dyson Customer Care Helpline quoting your serial number and details of where and when you bought the appliance. Your serial number can be found on the main body of the appliance behind the clear bin.

Most queries can be solved over the phone by one of our Dyson Customer Care Helpline staff (details below).

Visit our website to register your Dyson full parts and labour guarantee online (Australia and New Zealand only).

AU: www.dyson.com.au/register

NZ: www.dyson.co.nz/register

Note your serial number for future reference



This illustration is for example purposes only.

3 EASY WAYS TO REGISTER YOUR DYSON 2 YEAR GUARANTEE



**REGISTER
ONLINE**

Visit our website to register your Dyson full parts and labour guarantee online (Australia and New Zealand only).

AU: www.dyson.com.au/register
NZ: www.dyson.co.nz/register



**REGISTER
BY PHONE**

Call our dedicated Helpline.

AU 1800 239 766
NZ 0800 397 667
SG 7000 435 7546
ID 021 707 39766



**REGISTER
BY MAIL**

Complete and return the form to Dyson in the envelope supplied.

IMPORTANT SAFETY INSTRUCTIONS

READ ALL INSTRUCTIONS BEFORE USING THIS APPLIANCE

When using an electrical appliance, basic precautions should always be followed, including the following:

WARNING

TO REDUCE THE RISK OF FIRE, ELECTRIC SHOCK, OR INJURY:

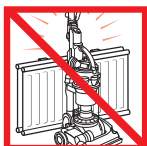
1. Do not leave the Dyson appliance when plugged in. Unplug from socket when not in use and before servicing.
2. Do not use outdoors or on wet surfaces. Suitable for dry locations only. Do not use to pick up water.
3. Do not allow to be used as a toy. Close attention is necessary when used by or near children. Children should be supervised to ensure that they do not play with the Dyson appliance.
4. This Dyson appliance is not intended for use by young children or infirm persons with reduced physical, sensory or reasoning capabilities, or lack of experience and knowledge, unless they have been given supervision or instruction by a responsible person concerning use of the Dyson appliance to ensure that they can use the Dyson appliance safely.
5. Use only as described in this Dyson Operating Manual. Use only Dyson recommended accessories and replacement parts. Do not carry out any maintenance other than that shown in this Dyson Operating Manual, or advised by the Dyson Customer Care Helpline. Contact the Dyson Customer Care Helpline when service or repair is required. Do not disassemble the Dyson appliance as incorrect reassembly may result in an electric shock or fire.
6. Do not use with a damaged cable or plug. If the Dyson appliance is not working as it should, has been dropped, damaged, left outdoors, or dropped into water, do not use and contact the Dyson Customer Care Helpline. If the supply cable is damaged it must be replaced by Dyson, its service agent or similarly qualified person in order to avoid a hazard.
7. Do not pull or carry by the cable, use the cable as a handle, close a door on the cable, or pull the cable around sharp edges or corners. Do not run the Dyson appliance over the cable. Keep the cable away from heated surfaces. To avoid a tripping hazard wind the cable when not in use.
8. Do not unplug by pulling on the cable. To unplug, grasp the plug, not the cable.
9. Do not handle the plug or Dyson appliance with wet hands.
10. Do not put any object into openings. Do not use with any opening blocked; keep free of dust, lint, hair, and anything that may reduce airflow.
11. Keep hair, loose clothing, fingers, and all parts of body away from openings and moving parts, such as the brush bar. Do not point the hose, wand or tools at your eyes or ears or put them in your mouth.
12. Turn off all controls before unplugging.
13. Use extra care when cleaning on stairs. Do not work with the Dyson appliance above you on the stairs.
14. Do not use to pick up flammable or combustible liquids, such as petrol, or use in areas where they or their vapours may be present.
15. Do not pick up anything that is burning or smoking, such as cigarettes, matches, or hot ashes.
16. Do not use without the clear bin and filters in place.
17. The use of an extension cable is not recommended.

READ AND SAVE THESE INSTRUCTIONS

THIS DYSON APPLIANCE IS INTENDED FOR HOUSEHOLD USE ONLY



Do not pull on the cable.



Do not store near heat sources.



Do not use near naked flame.



Do not run over the cable.



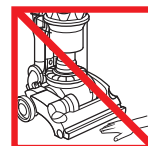
Do not pick up water or liquids.



Do not pick up burning objects.

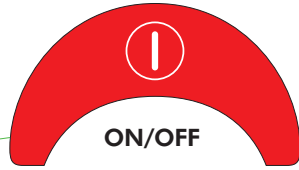
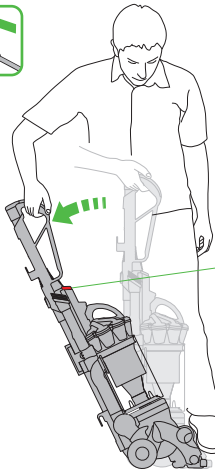


Do not use above you on the stairs.

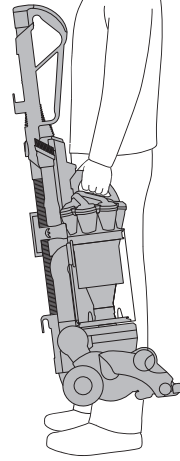


Do not put hands near the brush bar when the appliance is in use.

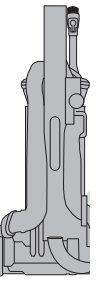
Using your Dyson appliance



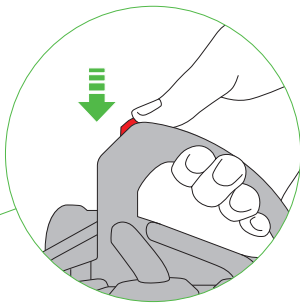
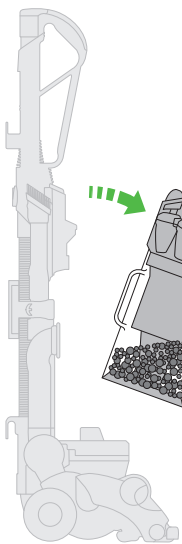
Carrying your Dyson appliance



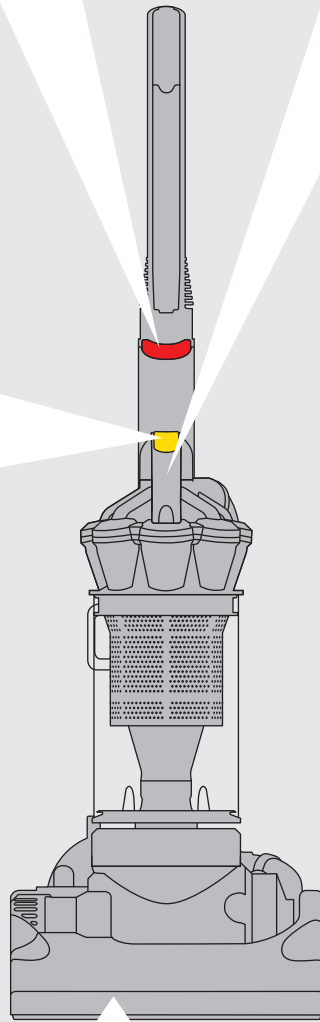
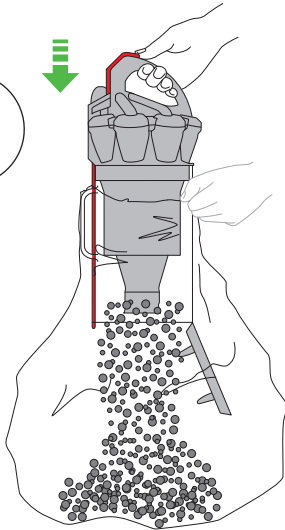
Looking fo



Emptying the clear bin



MAX
|||



4

2

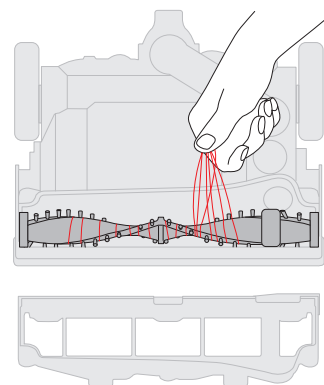
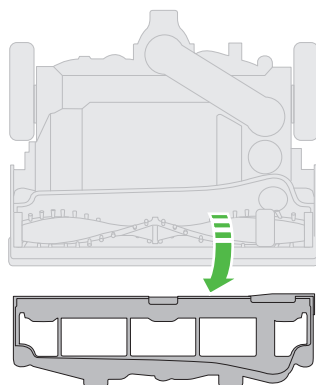
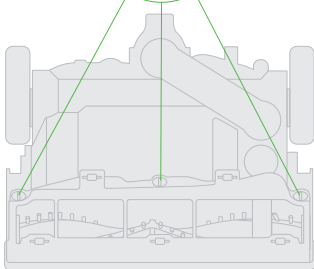
1

click

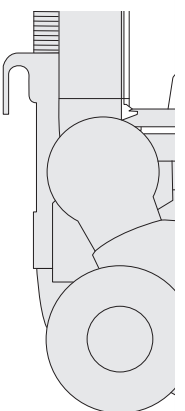
click

click

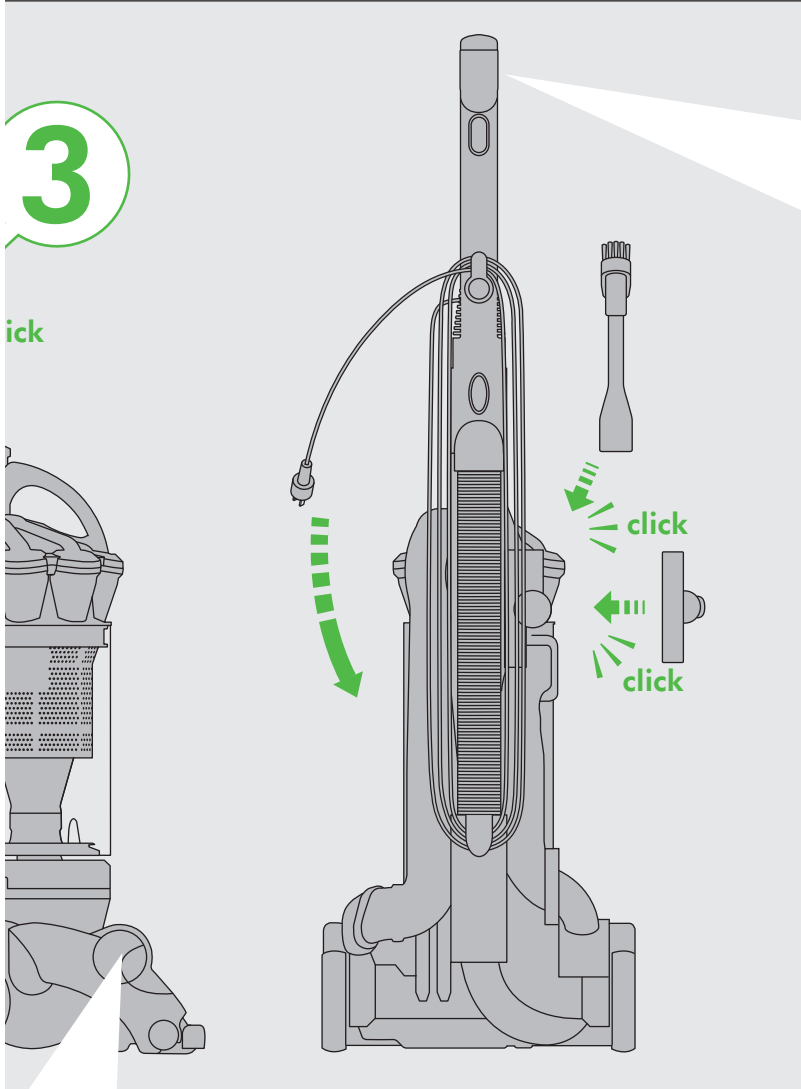
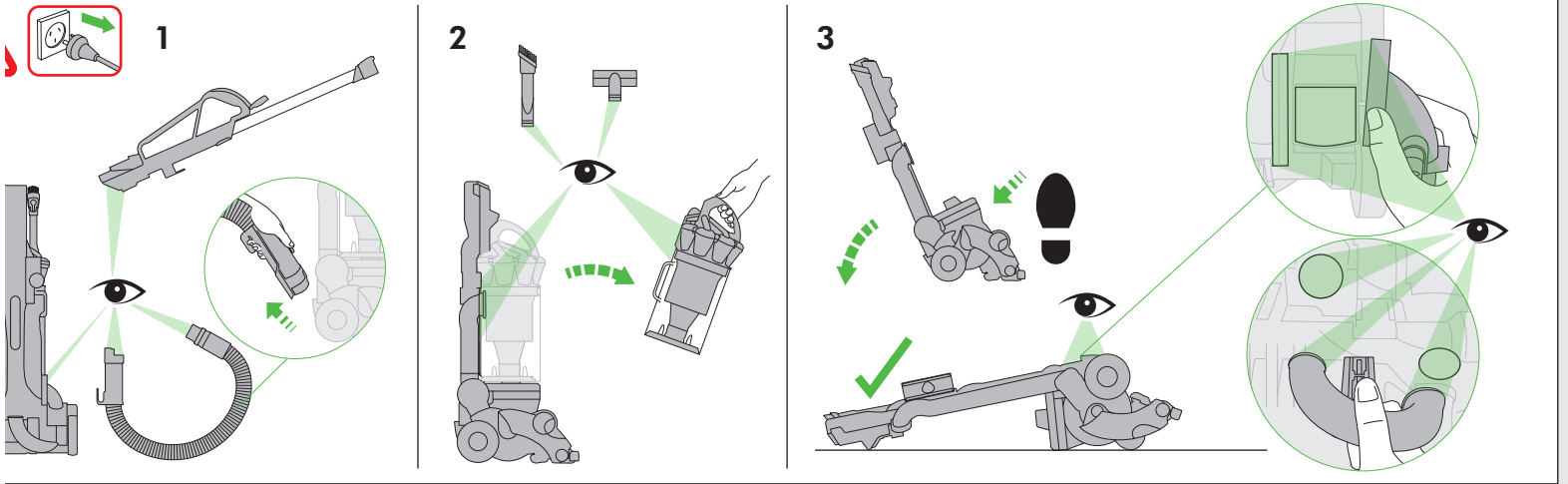
Clearing brush bar obstructions



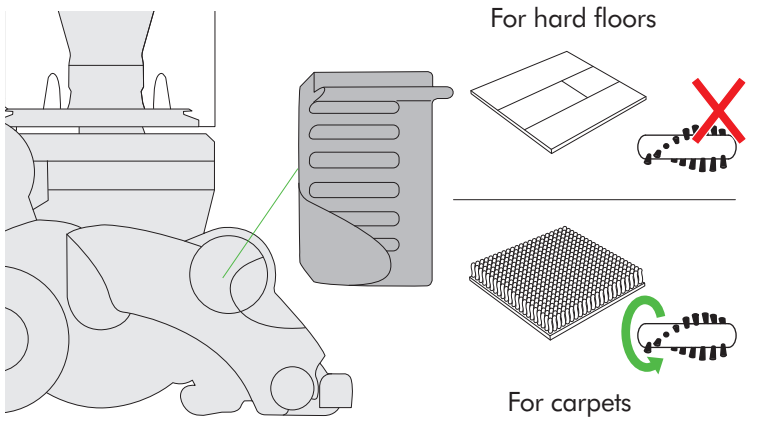
Hard floors/c ar



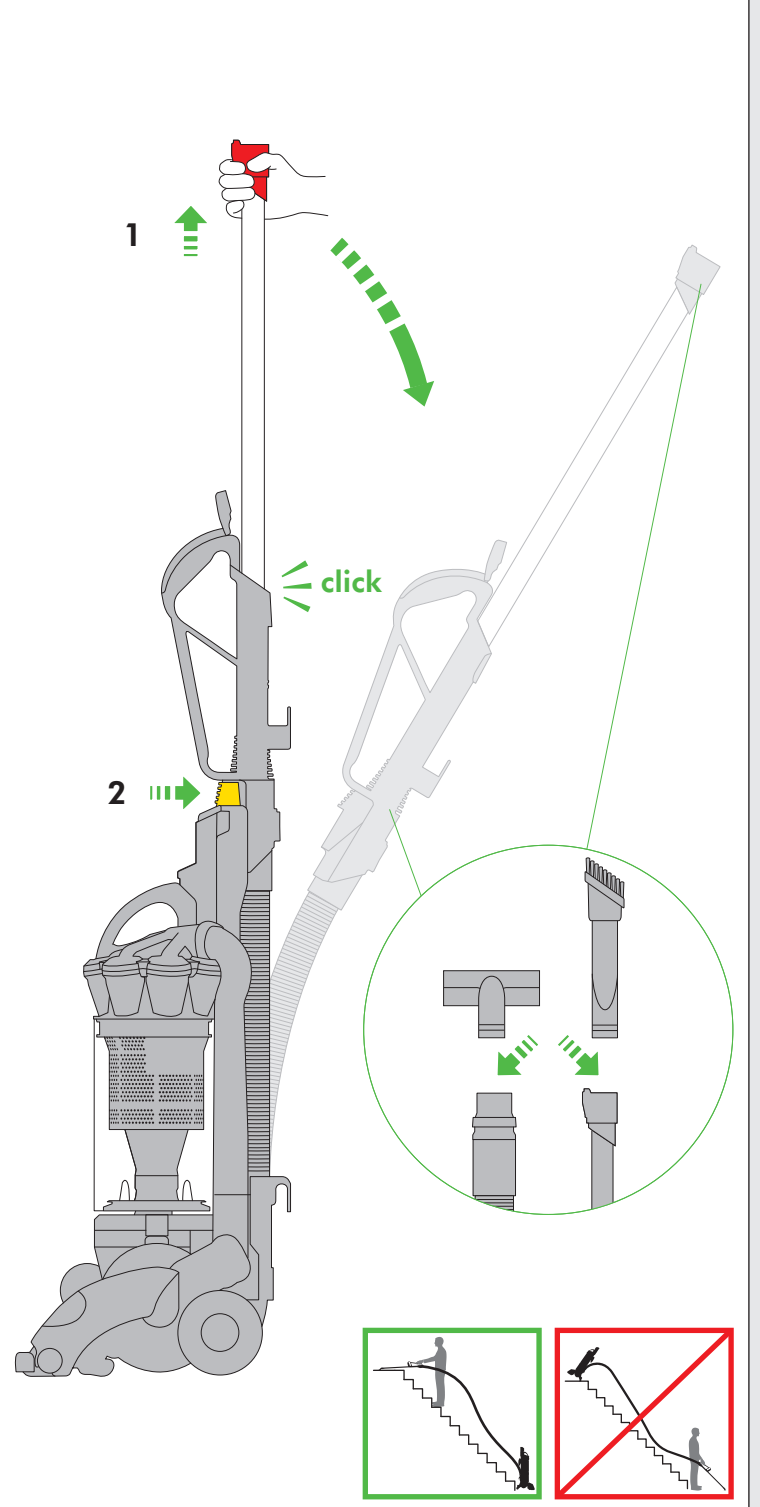
g for blockages



/c carpets



High-reach cleaning

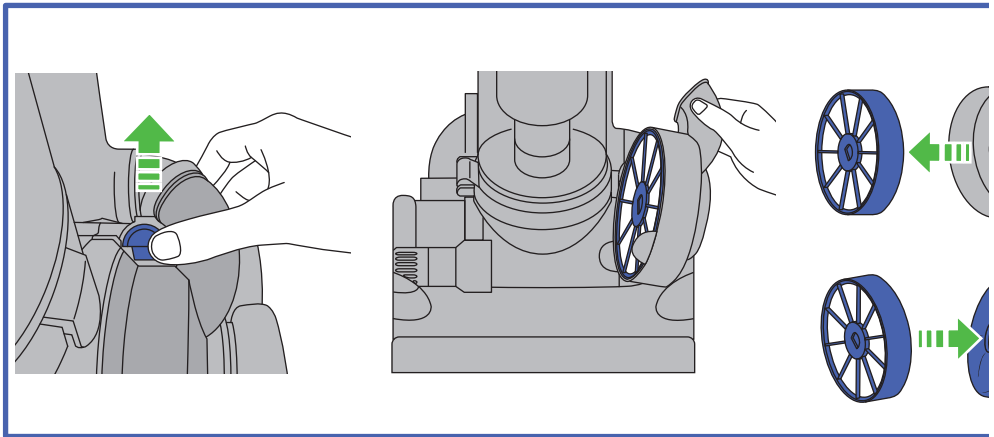


IMPORTANT!

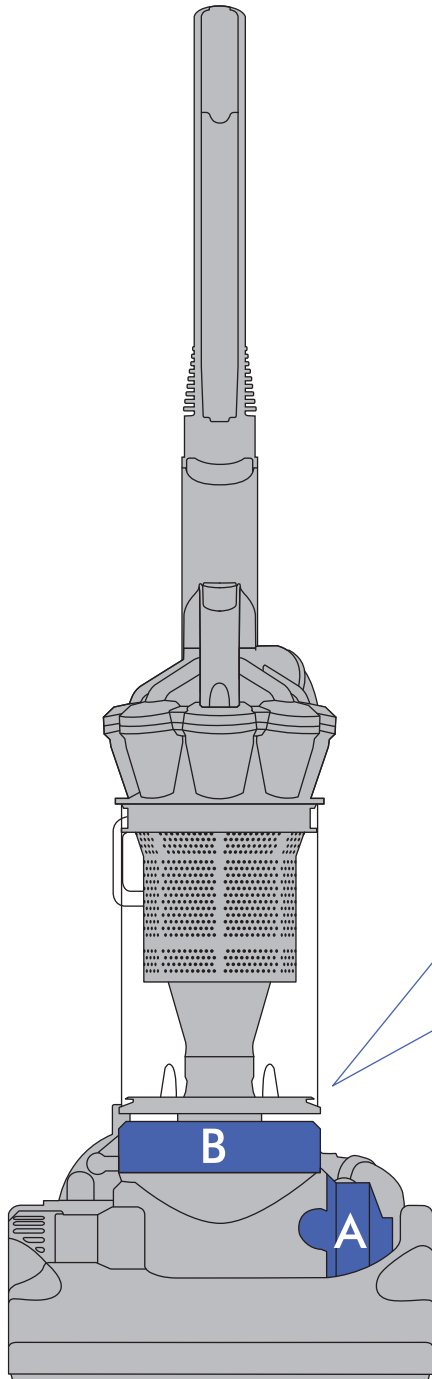
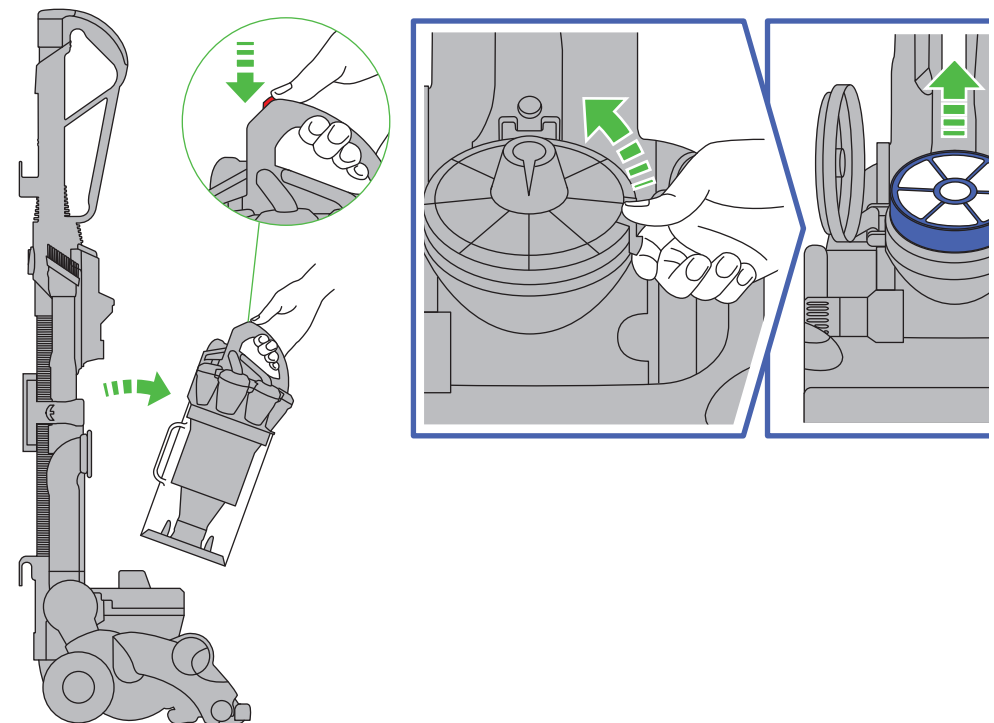
WASH FILTERS



  **Filter A** 

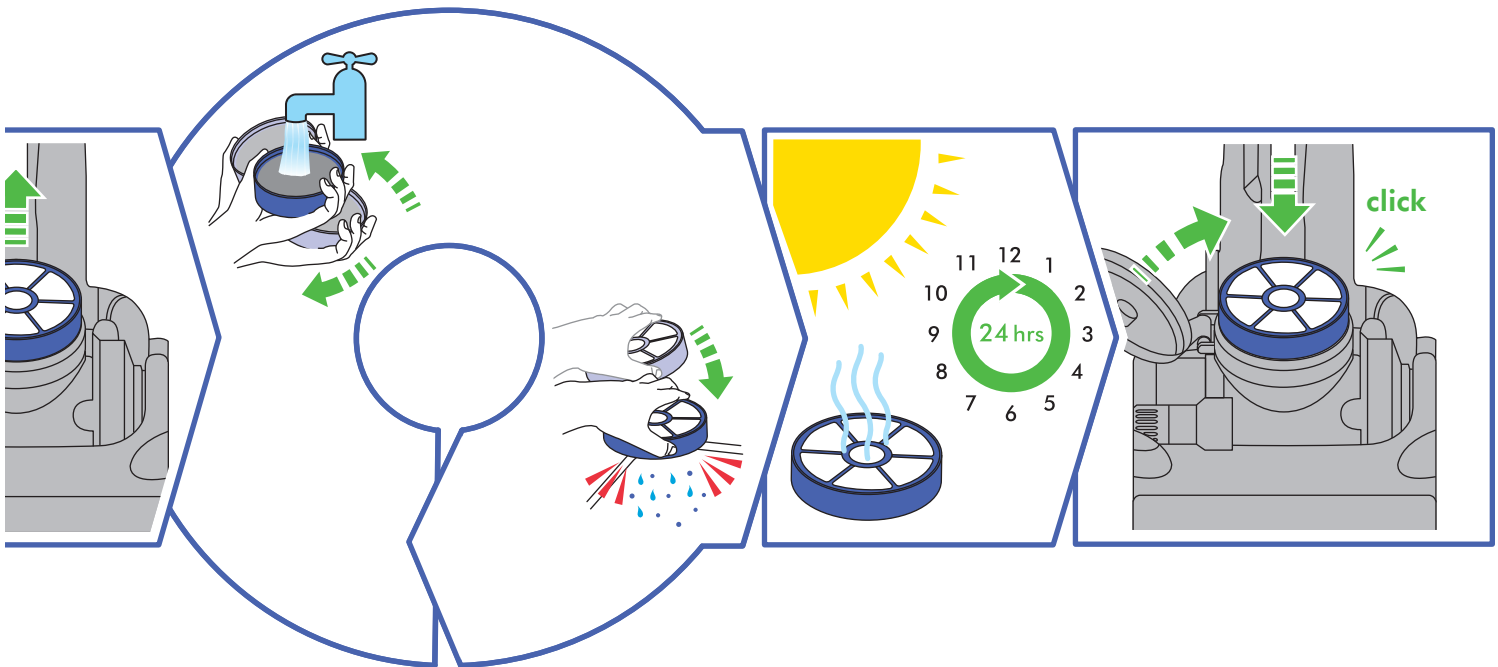
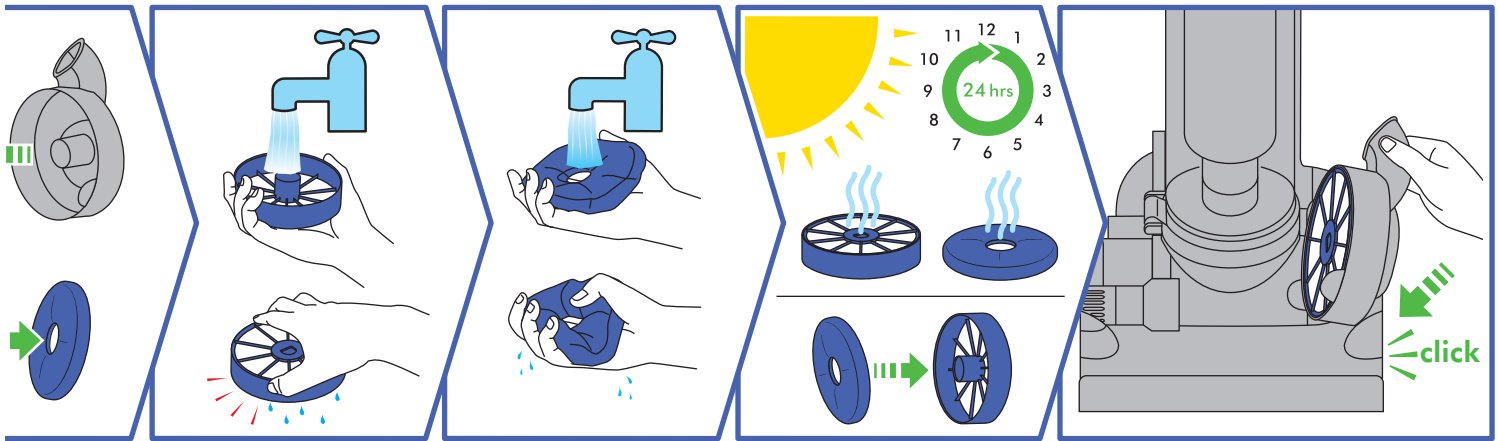


  **Filter B** 



Wash filters with cold water at least every 3 months.

Register for a filter wash reminder by email (Australia only):
customercare@dyson.com.au



ASSEMBLY

- Stand the appliance up straight and slide the hose into guides at the back of the appliance and click into place.
- Ensure the hose is straight and slide the wand straight down into the hose until it clicks into place.
- Click the wand handle into the top of the appliance. Press the red button on the rear of the wand handle and slide the tube down. Close the wand cap.
- Attach the tools to the appliance and wind the cable anti-clockwise around cable hooks and secure with clip.

USING YOUR DYSON APPLIANCE

Unwind the cable and insert the plug into a suitable socket. Hold the cleaner head down with your foot and pull the handle downwards. To switch 'ON' or 'OFF' press the red power button in front of the handle.

⚠ CAUTION:

- Do not allow the appliance to be used by anyone who may not be able to operate it safely.
- The use of an extension cable is not recommended.
- Always switch 'OFF' and unplug before performing maintenance on your appliance.
- Ensure the cyclone is secured to the appliance. Do not press the cyclone release button or shake the appliance while carrying or it could fall and cause injury.
- Store the appliance indoors. Put the appliance away after use with the cable coiled safely, to prevent tripping hazards.
- Do not use outdoors or on wet surfaces or to vacuum water or other liquids – electric shock could occur.
- Do not lubricate any parts, or carry out any maintenance or repair work other than that shown in this Dyson Operating Manual, or advised by the Dyson Customer Care Helpline.

PLEASE NOTE:

- This appliance is intended for domestic use only. Fine dust such as plaster dust or flour should only be vacuumed in very small amounts.
- Do not use the appliance to pick up sharp hard objects, small toys, pins, paper clips, etc. They may damage the appliance.
- If used in a garage, care should be taken to wipe the soleplate and wheels with a dry cloth after vacuuming to clean off any sand, dirt, or pebbles that could damage delicate floors.
- **Consult your flooring manufacturer's recommended instructions before vacuuming and caring for your flooring, rugs, and carpet. Some carpets will fuzz if a rotating brush bar is used when vacuuming. If this happens, we recommend vacuuming in hard floors mode and consulting with your flooring manufacturer.**
- When vacuuming, certain carpets may generate small static charges in the clear bin. These are entirely harmless and are not associated with the mains supply. To minimise any effect from this, do not put your hand or insert any object into the clear bin unless you have first emptied it and rinsed it out with cold water. (See 'Cleaning the clear bin' section on page 8).
- Do not use or store this appliance below 0°C. Ensure that the appliance is at room temperature before operating.

HARD FLOORS/CARPETS

Ensure the appliance is in an upright position before adjusting the setting. The brush bar will automatically stop if it becomes obstructed. If the brush bar stops during use, please refer to the 'Clearing brush bar obstructions' section (see pages 4 and 8).

HIGH-REACH CLEANING

⚠ CAUTION:

- Switch 'OFF' the appliance before changing tools.
- Powerful suction can cause the hose to 'pull back' - please take care.
- Take extra care when vacuuming on stairs. Do not work with the appliance above you on the stairs. Do not put the appliance on chairs, tables etc.
- Ensure the appliance is in the upright position before using tools.

PLEASE NOTE:

- To release the wand, open the wand cap and pull the red tube from inside the handle until it clicks. Press the grey button at the front of the carry handle to release the wand and hose from the appliance. Tools can be attached to either the hose or the wand.
- The brush bar will not rotate when the appliance is in an upright position.
- Ensure wand cap is closed when not in use.

EMPTYING THE CLEAR BIN

⚠ CAUTION:

- Switch 'OFF' the appliance and unplug before emptying the clear bin.
- Empty as soon as the dirt reaches the level of the MAX mark – do not overfill.
- To remove the clear bin from the appliance, press the red button at the rear of cyclone carrying handle. To release the dirt, press the red bin release button.
- To minimise dust/allergen contact when emptying, encase the clear bin tightly in a plastic bag and empty. Remove the clear bin carefully and seal bag tightly, dispose as normal. Emptying into a bag is recommended for people with asthma and allergies.
- Do not use the appliance without the clear bin in place.

CLEANING THE CLEAR BIN

⚠ CAUTION:

To remove the cyclone unit from the clear bin press the red bin release button. This exposes a small silver button behind the red opening mechanism. Press the silver button and separate the cyclone unit from the clear bin.

- Clean the clear bin with cold water only.
- Ensure the clear bin is completely dry before replacing.

PLEASE NOTE:

- Do not use detergents, polishes or air fresheners to clean the clear bin.
- Do not put clear bin in a dishwasher.
- Clean the shroud with a cloth or dry brush to remove lint and dust.

WASHING YOUR FILTERS

DO THIS EVERY 3 MONTHS

⚠ CAUTION:

- Switch 'OFF' and unplug the appliance before removing the filters.
- Ensure the filters are completely dry before refitting to the appliance.

PLEASE NOTE:

This appliance has two filters, located as shown. It is important to check your filters regularly and wash at least every 3 months according to instructions, to maintain performance.

- After washing please leave for 24 hours to dry completely.
- The filters may require more frequent washing if vacuuming fine dust.
- Do not use detergents to clean the filters.
- Do not put the filters in a dishwasher, washing appliance, tumble dryer, oven, microwave or near a naked flame.

LOOKING FOR BLOCKAGES

⚠ CAUTION:

- Switch 'OFF' and unplug the appliance before checking for blockages. Failure to do so could result in personal injury.
- Please ensure the appliance is upright and switched off before removing hose or airway inspection parts.
- Beware of sharp objects when clearing blockages.
- Refit all parts of the appliance securely before using.

PLEASE NOTE:

- Clearing blockages is not covered by your appliance's limited guarantee.
- This appliance is fitted with an automatically resetting thermal cut-out. If any part of the appliance becomes blocked, it may overheat and automatically cut-out. Switch 'OFF' and unplug the appliance and leave to cool down for 1-2 hours before checking filter or for blockages.

CLEARING BRUSH BAR OBSTRUCTIONS

⚠ CAUTION:

- Switch 'OFF' and unplug the appliance before clearing brush bar obstructions. Failure to do so could result in personal injury.
- Beware of sharp objects when clearing obstructions.
- Refit all parts of the appliance securely before using.

PLEASE NOTE:

- Clearing brush bar obstructions is not covered by your appliance's limited guarantee.

BRUSH BAR TROUBLESHOOTING

If the brush bar has stopped spinning, follow the steps below. Alternatively contact the Dyson Customer Care Helpline or visit our website (see page 9).

⚠ CAUTION:

- Ensure appliance is in reclined position.
- Ensure clutch is turned on- appliance is in carpet mode (See page 5).
- Check the cleaner head for blockages (i.e. tangled hair, large debris).
- If the brush bar still isn't spinning, contact the Dyson Customer Care Helpline or visit our website (See page 9).

AUSTRALIAN CONSUMER LAW

The details of the Dyson guarantee are set out below. In addition to your rights under the Dyson guarantee, we also provide the following statement as required by the Australian Consumer Law: In Australia, your Dyson appliance comes with statutory guarantees that cannot be excluded under the Australian Consumer Law. You are entitled to a replacement or refund for a major failure and for compensation for any other reasonably foreseeable loss or damage. You are also entitled to have your Dyson appliance repaired or replaced if it fails to be of acceptable quality and the failure does not amount to a major failure.

DYSON 2 YEAR GUARANTEE TERMS AND CONDITIONS

Terms and conditions of your Dyson 2 year guarantee.

- The Dyson guarantee becomes effective from the date of purchase.
- All work will be carried out by Dyson Appliances (Aust) Pty Ltd., Avery Robinson Ltd. (NZ), Singapore's authorised agent - Service @ Home Pte. Ltd., Indonesia's authorised agent - PT Higienis Indonesia or their authorised agents.
- Any parts replaced will become the property of Dyson Appliances (Aust) Pty Ltd., Avery Robinson Ltd. (NZ), Dyson Singapore Pte Ltd. or PT Higienis Indonesia.
- The repair and replacement of your Dyson appliance under Dyson guarantee will not extend the Dyson guarantee period.
- The Dyson guarantee provides benefits which are additional to and do not affect your statutory rights and remedies as a consumer.
- You must provide proof of (both original and any subsequent) delivery/purchase before any work can be carried out on your Dyson appliance. Without this proof, any work carried out pursuant to the Dyson guarantee and any associated delivery charges (both to and from us) will be at your cost, subject to your statutory rights and remedies as a consumer. Please keep your receipt or delivery note.

WHAT IS COVERED

Your Dyson guarantee covers:

- The repair or replacement of your Dyson appliance if your Dyson appliance is found to be defective due to faulty materials, workmanship or function within 2 years of purchase or delivery (if any part is no longer available or out of manufacture Dyson will replace it with a functional replacement part).
- Use of the Dyson appliance in the country of purchase.

WHAT IS NOT COVERED

Under your Dyson guarantee, Dyson shall not be liable for costs of repair or replacement of a product incurred as a result of:

- Normal wear and tear (e.g. fuse, belt, brush bar etc).
- Industrial use of the Dyson appliance such as vacuuming gyprock dust or builders dust. This may void your Dyson guarantee.
- Accidental damage, faults caused by negligent use or care, neglect, careless operation or handling of the Dyson appliance which is not in accordance with this Dyson Operating Manual.
- Blockages – please refer to this Dyson Operating Manual for details of how to unblock your Dyson appliance.
- Use of the Dyson appliance for anything other than normal domestic household purposes in the country of purchase.
- Use of parts not assembled or installed in accordance with the instructions of Dyson.
- Use of parts and accessories other than those produced or recommended by Dyson.
- Damage from external sources such as transit, weather, electrical outages or power surges.
- Failures caused by circumstances outside Dyson's control.
- Repairs or alterations carried out by parties other than Dyson or its authorised agents.

If your Dyson guarantee does not apply, you may have statutory rights and remedies available to you as a consumer.

If you are in any doubt as to what is covered by your Dyson guarantee, please call the Dyson Customer Care Helpline on:
Australia 1800 239 766
New Zealand 0800 397 667
Singapore 7000 435 7546
Indonesia 021 707 39766

Remember: Always disconnect plug from mains before inspecting for problems.

- If your Dyson appliance will not operate, first check mains socket has electricity supply and the plug is properly inserted into the socket.
- Sucking up certain items such as stockings, clippings of cloth, sizeable pieces of paper etc may block the hose or ducts. Should a blockage occur, refer to the 'Looking for blockages' section in this Dyson Operating Manual (see pages 4 and 8).
- Never pick up hot cinders or lit cigarette ends.
- Do not attempt to pick up water with your Dyson appliance. It has not been designed as a wet pick-up cleaner.

REGISTERING YOUR DYSON GUARANTEE

To help us ensure you receive prompt and efficient service, please register as a Dyson appliance owner. There are three ways to do this:

- Online (Australia and New Zealand only)
AU: www.dyson.com.au/register
NZ: www.dyson.co.nz/register
- By calling the Dyson Customer Care Helpline.
- By completing and returning the enclosed form to us by mail.
This will confirm ownership of your Dyson appliance in the event of an insurance loss, and enable us to contact you if necessary.

DYSON CUSTOMER CARE

THANK YOU FOR CHOOSING TO BUY A DYSON APPLIANCE

- If you have a query about your Dyson appliance, call the Dyson Customer Care Helpline and quote your serial number, or contact us via the website. Your serial number can be found on the main body of the Dyson appliance behind the clear bin.
- Most queries can be solved over the phone by one of our Dyson Customer Care Helpline staff.
- If your Dyson appliance needs a service, call the Dyson Customer Care Helpline so we can discuss the available options.
- To enable us to carry out work on your Dyson appliance please contact the Dyson Customer Care Helpline to obtain a reply paid delivery address in your state (available in Australia only).
- If your appliance is under Dyson guarantee and the repair or replacement is covered, it will be repaired or replaced at no cost. If the repair or replacement is found not to be covered under the Dyson guarantee, the repair or replacement of the appliance and any associated delivery charges (both to and from us) will be at your cost, subject to your statutory rights and remedies as a consumer.

DYSON CUSTOMER CARE DETAILS

If there are any queries, please call the Dyson Customer Care Helpline.

AU: 1800 239 766

(Mon-Fri 8:00am to 6:00pm EST, Sat-Sun 8:30am to 4:00pm EST)

www.dyson.com.au

NZ: 0800 397 667 (Mon-Fri 8:30am to 5:00pm)

www.dyson.co.nz

SG: 7000 435 7546 (Mon-Fri 9:00am to 6:00pm)

www.dyson.com.sg

ID: 021 707 39766 (Mon-Fri 9:00am to 5:00pm)

www.dyson.co.id

ABOUT YOUR PRIVACY

Dyson may use your information provided for future marketing and research purposes (including sending commercial electronic messages) and may disclose it to third parties for the purposes of providing the services you have requested, or to our business partners or professional advisers. If you wish to access your personal information or see our full privacy policy, please contact us at customercare@dyson.com.au

DISPOSAL INFORMATION

- Dyson products are made from high grade recyclable materials. Please dispose of this product responsibly and recycle where possible.

When your Dyson appliance reaches the end of its life, we are responsible for its safe disposal. You can send your old Dyson appliance back to us (at our cost) and we will organise for it to be recycled.*

*Please note that not all parts are recyclable. Recycling of parts is subject to the capabilities of 3rd party suppliers. Available in Australia only.

Simply:

1. Box up your old Dyson appliance
2. Take the package to your local post office and send to the address below:

Dyson We Recycle

Reply Paid 83215

Dyson Service Centre

Unit 6 & 7, 7-11 Parraweena Rd

Taren Point, NSW 2229

PRODUCT INFORMATION

Please note: Small details may vary from those shown.

IMPORTANT!

WASH FILTERS



Wash filters with cold water at least every 3 months.

Register for a filter wash reminder by email (Australia only):
customercare@dyson.com.au



Dyson Customer Care

If you have a query about your Dyson appliance, call the Dyson Customer Care Helpline with your serial number and details of where and when you bought the appliance, or contact us via the Dyson website. The serial number can be found on the main body of the appliance behind the clear bin.

AU Dyson Customer Care customercare@dyson.com.au 1800 239 766

Dyson Appliances (Aust) Pty Ltd.,
PO Box 2835,
Taren Point, NSW 2229,
Australia
www.dyson.com.au

NZ Dyson Customer Care dyson@averyrobinson.co.nz 0800 397 667

Avery Robinson Ltd.,
Unit F, 151D Marua Road,
Ellerslie, Auckland 1051,
New Zealand
www.dyson.co.nz

SG Dyson Customer Care singapore@dyson.com 7000 435 7546

Service @ Home Pte. Ltd.,
2 Leng Kee Road,
#04-09A Thye Hong Centre,
Singapore 159086
www.dyson.com.sg

ID Dyson Customer Care 021 707 39766

PT. Higienis Indonesia
Permata Plaza Top Floor, TF-04,
Jl. M. H. Thamrin Kav. 57,
Jakarta 10350
Indonesia
www.dyson.co.id

Please take a few moments to answer our questions.
They will help us develop new products for the future.

1 This vacuum cleaner is...

- My first vacuum cleaner (please go to question 3)
- A replacement vacuum cleaner
- An additional vacuum cleaner

2 Which brand of vacuum cleaner are you replacing or adding to?

- Dyson
- Hoover
- Miele
- Vax
- Volta
- Other, please specify
- Electrolux
- LG
- Nilfisk
- Wertheim

3 Why did you choose to buy a Dyson vacuum cleaner?
(Please rank in order, 1-5. 1 being the most important).

- Dyson reputation
- Good for pet hair pick-up
- No loss of suction
- Previous experience of Dyson
- HEPA filter/benefit for asthma and allergy sufferers
- Features
- Price/special offer
- Wanted a bagless cleaner
- Compact and easy to store
- Store staff recommendation
- Picks up more dust than others
- Latest model/technology
- Reliability/quality
- Friend/family recommendation
- Other

4 Where did you first hear about Dyson?

- From friends and family
- Saw it on the internet
- From TV/a magazine advert
- Saw it in a store catalogue
- Saw it in a store
- Recommended by salesperson

5 Where did you look for additional information?

- Dyson website
- Online reviews and forums
- Talked to retail staff
- Retail catalogue
- Didn't do any additional research

6 Do you own other Dyson products?

- Handheld
- Vacuum cleaner
- No
- Fan
- Handstick

7 What is your average household income?

- Less than \$45,000
- Between \$45,000 – \$74,999
- Between \$75,000 – \$100,000
- Over \$100,000

8 Do you have any household pets?

- Dog
- No
- Cat
- Other

9 Does anyone in your household suffer from any of the following?

- Asthma
- No
- Allergies

10 To which age group do you belong?

- 16 – 24
- 35 – 44
- 55 – 64
- 25 – 34
- 45 – 54
- 65+

11 Would you recommend a Dyson vacuum cleaner to your family and friends?

- Yes
- No

12 Do you have children?

- Pre-school
- Aged +17 years
- Pregnant
- Aged 5-17 years
- Children no longer at home
- No children

13 Which best describes your house?

(Tick one from each column).

- Own house
- Rented house
- Own apartment/villa
- Rented apartment/villa
- Share accommodation
- Live with parents
- Up to 2 beds
- 3-4 beds
- More than 4 beds

THANK YOU FOR YOUR TIME



dyson GUARANTEE FORM

2 year guarantee – plus option to extend to 5 years.

Section 1: Dyson 2 year guarantee

Please complete Section 1 to register as a Dyson appliance owner, and return it in the envelope provided. Alternatively, register online (Australia and New Zealand only).

Serial number			
Date of purchase		Country of purchase	
<input type="text"/> / <input type="text"/> / <input type="text"/>	<input type="text"/> / <input type="text"/> / <input type="text"/>	AU <input type="checkbox"/> NZ <input type="checkbox"/> SG <input type="checkbox"/> ID <input type="checkbox"/>	
Store of purchase			
<input type="text"/>			
Did you purchase an extended warranty from the retailer?		Yes <input type="checkbox"/>	No <input type="checkbox"/>
If yes, for what additional period?		1 year <input type="checkbox"/>	2 years <input type="checkbox"/> 3 years <input type="checkbox"/>
Title	First name	Surname	
<input type="text"/>	<input type="text"/>	<input type="text"/>	
Address			
<input type="text"/>			
<input type="text"/>			
<input type="text"/>			
Postcode			<input type="text"/>
email		Contact number	
<input type="text"/>		<input type="text"/>	
Privacy Act			
Dyson may use this information for future marketing and research purposes (including sending commercial electronic messages) and may disclose it to third parties for the purposes of providing the services you have requested or to our business partners or professional advisers. If you wish to access your personal information or see our full privacy policy, please contact us at customercare@dyson.com.au			
If you do not wish to receive marketing information by these methods from Dyson please tick this box. <input type="checkbox"/>			

REGISTER ONLINE
Visit our website to register your Dyson full parts and labour 2 year guarantee (Australia and New Zealand only)
AU: www.dyson.com.au/register
NZ: www.dyson.co.nz/register

REGISTER BY MAIL
Complete and return the form to Dyson in the envelope supplied.

REGISTER BY PHONE
Call our dedicated Helpline
AU 1800 239 766 NZ 0800 397 667
SG 7000 435 7546 ID 021 707 39766

Section 2: Dyson 2+3 year guarantee

Increase your Dyson 2 year guarantee cover to 5 years when you purchase an extended guarantee from Dyson (Australia only). This option is just AUS65.00. Dyson is committed to providing the best Aftersales Service, which is why we offer the option to extend your Dyson 2 year guarantee to 5 years. The terms of the Dyson 2 year guarantee on page 9 of this Dyson Operating Manual will apply to the Dyson extended guarantee. The Dyson extended guarantee is underwritten by Dyson Appliances (Aust) Pty Ltd. To purchase, just complete the fields below. Send both sections to us, together with your cheque/money order or credit card details, within 2 years of your appliance purchase. Offer to purchase the Dyson extended guarantee is only available within 2 years of customers purchasing their appliance. Offer not available to customers who have purchased an extended warranty from a retailer. The Dyson extended guarantee provides benefits which are additional to, and do not affect, your statutory rights and remedies as a consumer. If you decide not to extend your Dyson 2 year guarantee, you may have statutory rights and remedies available to you as a consumer.

Cheque/money order made payable to: Dyson Appliances.

Credit card Mastercard VISA Visa

Card Number / / / Expiry Date M Y

Declaration

I hereby apply for the Dyson appliance extended guarantee in accordance with the terms and conditions of your plan. I confirm the appliance is in good working order and used for domestic purposes only and declare that the details on this proposal are true and complete to the best of my knowledge and belief.

Signature Date / /

WARNING Any false statement may render this plan invalid