

#### Electrical

Electrical supply: 110-120 V AC, 60 Hz  
 Rated power: 1400 W  
 Motor type: Dyson digital motor. Switched reluctance brushless  
 Motor speed: 81,000 rpm  
 Heater type: None  
 Standby power consumption: 1 W  
 Energy consumption per dry: 0.00468 kWh

#### Construction

Die-cast aluminum casing with anti-microbial scuff resistant lacquer coating on exterior surfaces  
 Color finish: Silver, gloss lacquer  
 Light reflective value: 39.9  
 Anti-microbially integrated external plastics and seals  
 Pressed anti-rust steel backplate  
 Tamper-proof T30 type exterior screws  
 Water ingress protection to IPX 5

#### Filtration

Anti-microbial HEPA filter  
 Particulate removal tested to 99.5% at 0.15 MPPS according to EN1822  
 Bacteria removal 99.9%

#### Operation

Touch-free infra-red activation  
 Hand dry time: 12 seconds (measured to method defined by National Sanitation Foundation protocol P335)  
 Airspeed at apertures: 400 mph  
 Operating airflow: 66 CFM  
 Rated operating noise power: 84 db(A)

#### Logistics

Single unit order code: 13043-01  
 Unit weight: 34.2 lb  
 Packaged weight: 39.7 lb  
 Packaged dimensions: 28.7" x 14.1" x 11.9"  
 Pallet count: 13  
 Pallet type: US  
 Unit barcode: 879957001275

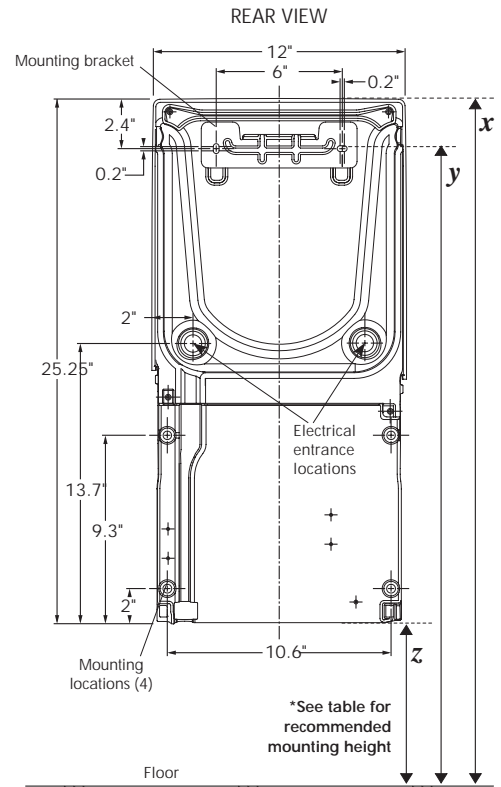
#### Standard warranty

5 year parts, 1st year labor limited

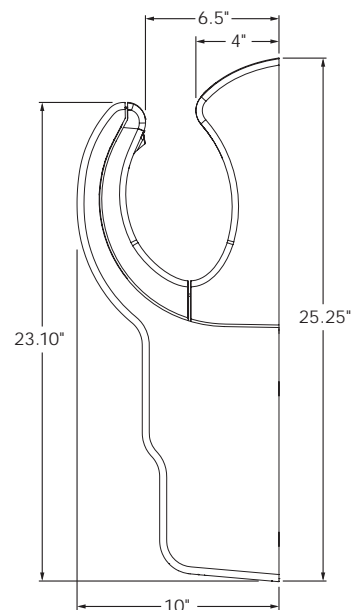
#### Product Certification

ETL listed in accordance with UL 507  
 ADA Compliant  
 HACCP Certified

*Recommended installation heights measured from floor	Male	Female	Child or Disabled
x To top of machine	41.25"	38.25"	34.25"
y To mounting bracket screw	39.0"	36.0"	32.0"
z To bottom of machine	16.0"	13.0"	9.0"



#### SIDE VIEW





**Electrical**

>

**Construction**

**Filtration**

i

**Operation**

©

©

>

**Logistics**

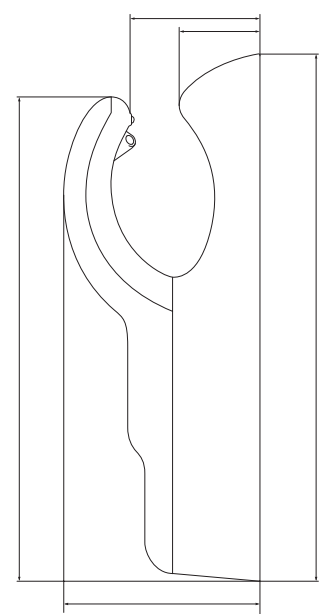
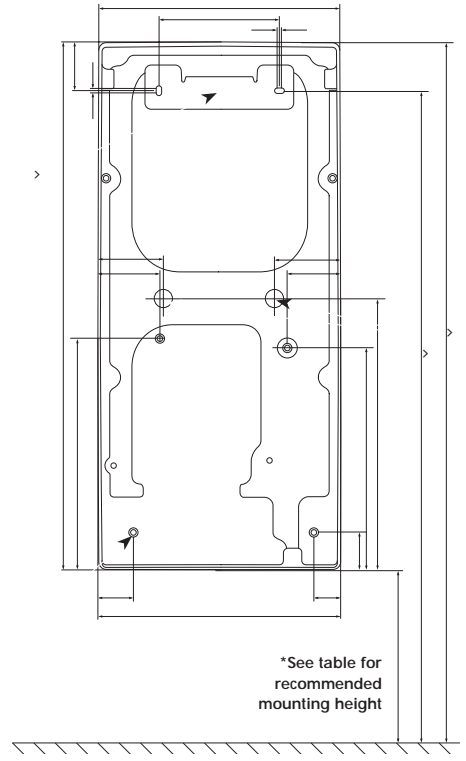
£/ £/ £

**Standard warranty**

**Product Certification**

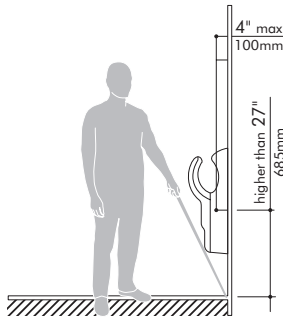
*Recommended installation heights measured from floor	Male	Female	Child or Disabled
	£	£	£
	£	£	£
	£	£	£

© 1-888-397-6622 ¥ airbladeinfo@dyson.com



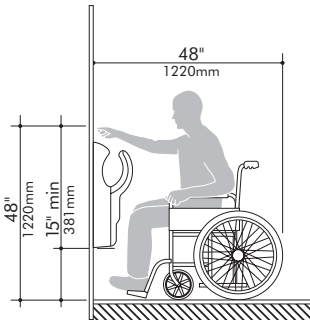
### Mobility access within washroom facilities

The Americans with Disabilities Act (ADA) defines the accessible requirements for the design and construction of washroom spaces in the United States.\* Detailed below are examples of the installation requirements for hand dryers. The Dyson Airblade™ hand dryer (AB02, AB04) has been designed to comply with these recommendations.



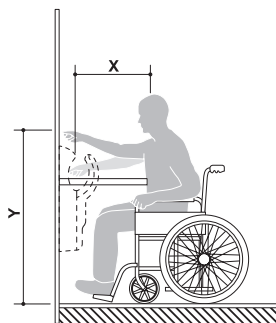
#### Clearance for wall-mounted protruding objects

Objects that protrude beyond 4" (100mm) from the wall must be mounted so that part of the object is below 27" (685mm) from the floor in order to overlap the cane detection range specified by ADA standards.



#### Forward reach:

Maximum high forward reach allowed shall be: 48" (1220mm)  
Minimum low forward reach allowed shall be: 15" (381mm)



#### Forward reach over an obstruction:

When the reach x is less than 20" (510mm) then the maximum height y shall be 48" (1220mm) maximum.



\*Source: ADA Accessibility Guidelines for Buildings and Facilities (ADAAG), Section 4. Accessible Elements and Spaces: Scope and Technical Requirements.