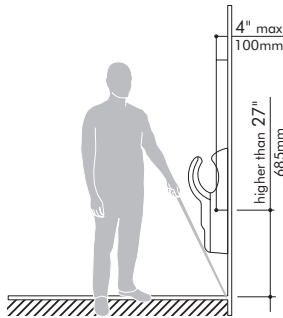


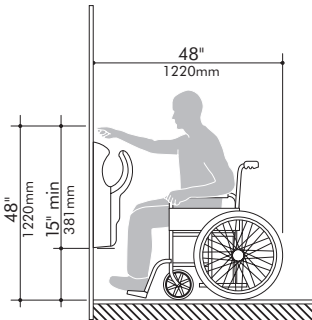
Mobility access within washroom facilities

The Americans with Disabilities Act (ADA) defines the accessible requirements for the design and construction of washroom spaces in the United States.* Detailed below are examples of the installation requirements for hand dryers. The Dyson Airblade™ hand dryer (AB02, AB04) has been designed to comply with these recommendations.



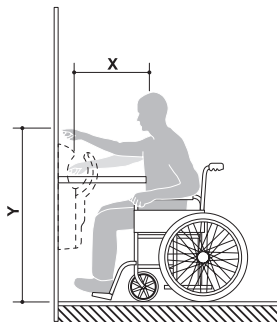
Clearance for wall-mounted protruding objects

Objects that protrude beyond 4" (100mm) from the wall must be mounted so that part of the object is below 27" (685mm) from the floor in order to overlap the cane detection range specified by ADA standards.



Forward reach:

Maximum high forward reach allowed shall be: 48" (1220mm)
Minimum low forward reach allowed shall be: 15" (381mm)



Forward reach over an obstruction:

When the reach x is less than 20" (510mm) then the maximum height y shall be 48" (1220mm) maximum.

US09003 01.14.09 © 2009 Dyson



*Source: ADA Accessibility Guidelines for Buildings and Facilities (ADAAG), Section 4. Accessible Elements and Spaces: Scope and Technical Requirements.