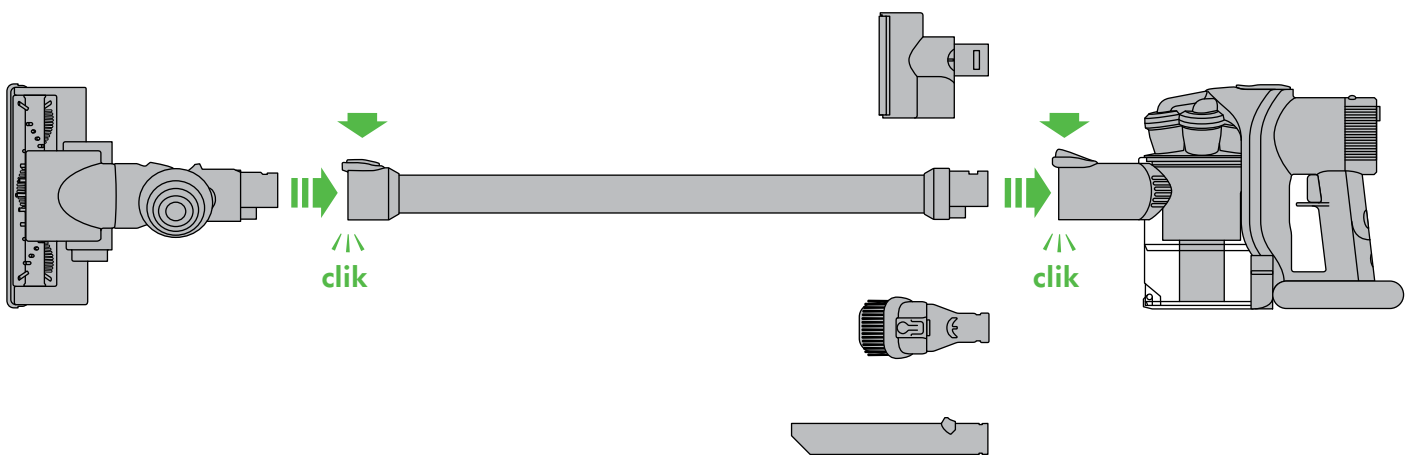


ASSEMBLY • ASSEMBLAGE



1
month
mois

WASH FILTER
Wash filter with cold water at least every month.

LAVER LE FILTRE
Laver le filtre à l'eau froide une fois par mois minimum.

REGISTER TODAY

3 easy ways to register
your 2 year warranty.

ENREGISTREMENT

3 façons faciles de vous enregistrer pour
bénéficier d'une garantie de 2 ans.



IMPORTANT SAFETY INSTRUCTIONS

BEFORE USING THIS APPLIANCE READ ALL INSTRUCTIONS AND CAUTIONARY MARKINGS IN THIS MANUAL AND ON THE APPLIANCE

When using an electrical appliance, basic precautions should always be followed, including the following:

⚠ WARNING

TO REDUCE THE RISK OF FIRE, ELECTRIC SHOCK, OR INJURY:

THESE WARNINGS APPLY TO THE APPLIANCE, ALL TOOLS AND ACCESSORIES, AND ALSO WHERE APPLICABLE TO ANY CHARGER OR MAINS ADAPTOR.

1. This Dyson appliance is not intended for use by young children or infirm persons with reduced physical, sensory or reasoning capabilities, or lack of experience and knowledge, unless they have been given supervision or instruction by a responsible person concerning use of the appliance to ensure that they can use it safely.
2. Do not allow to be used as a toy. Close attention is necessary when used by or near children. Children should be supervised to ensure that they do not play with the appliance.
3. Use only as described in this Dyson Operating Manual. Do not carry out any maintenance other than that shown in this manual, or advised by the Dyson Helpline.
4. Suitable for dry locations only. Do not use outdoors or on wet surfaces.
5. Do not use to pick up water.
6. Do not handle any part of the plug or appliance with wet hands.
7. Do not use with a damaged cord or plug. If the supply cord is damaged it must be replaced by Dyson, its service agent or similarly qualified persons in order to avoid a hazard.
8. If the appliance is not working as it should, has received a sharp blow, has been dropped, damaged, left outdoors, or dropped into water, do not use and contact the Dyson Helpline.
9. Contact the Dyson Helpline when service or repair is required. Do not disassemble the appliance as incorrect reassembly may result in an electric shock or fire.
10. Do not stretch the cord or place the cord under strain. Keep the cord away from heated surfaces. Do not close a door on the cord, or pull the cord around sharp edges or corners. Arrange the cord away from traffic areas and where it will not be stepped on or tripped over. Do not run the appliance over the cord.
11. Do not unplug by pulling on the cord. To unplug, grasp the plug, not the cord. The use of an extension cord is not recommended.
12. Do not use to pick up flammable or combustible liquids, such as gasoline, or use in areas where they or their vapours may be present.
13. Do not pick up anything that is burning or smoking, such as cigarettes, matches, or hot ashes.
14. Keep hair, loose clothing, fingers, and all parts of the body away from openings and moving parts, such as the brush bar. Do not point the hose, wand or tools at your eyes or ears or put them in your mouth.
15. Do not put any object into openings. Do not use with any opening blocked; keep free of dust, lint, hair, and anything that may reduce airflow.
16. Use only Dyson recommended accessories and replacement parts.
17. Make sure the cord is located so that it will not be stepped on, tripped over, or otherwise subjected to damage or stress.
18. Do not use without the clear bin and filter in place.
19. Unplug when not in use for extended periods and before maintenance or servicing.
20. Use extra care when cleaning on stairs.
21. Do not install, charge or use this appliance outdoors, in a bathroom or within 3 metres (10 feet) of a pool. Do not use on wet surfaces and do not expose to moisture, rain or snow.
22. Use only Dyson chargers for charging this Dyson appliance. Use only Dyson batteries: other types of batteries may burst causing injury to persons and damage.
23. Do not incinerate this appliance even if it is severely damaged. The battery may explode in a fire.
24. Do not press the battery release button during normal operation.
25. Always turn 'OFF' the appliance before connecting or disconnecting the motorized brush bar.

READ AND SAVE THESE INSTRUCTIONS

THIS DYSON APPLIANCE IS INTENDED FOR HOUSEHOLD USE ONLY

POLARIZATION INSTRUCTIONS

To reduce the risk of electric shock, this appliance has a polarized plug (one blade is wider than the other). This plug will fit in a polarized outlet only one way. If the plug does not fit fully in the outlet, reverse the plug. If it still does not fit, contact a qualified electrician to install the proper outlet. Do not attempt to defeat this safety feature and do not change the plug in any way.



Do not use near open flames.



Do not store near heat sources.



Do not pick up water or liquids.



Do not pick up burning objects.



Do not put hands near the brush bar when the appliance is in use.



Ne pas utiliser près de flammes nues.



Ne pas ranger à proximité de sources de chaleur.



Ne pas aspirer d'eau ni des liquides.



Ne pas aspirer des objets qui brûlent.



Ne pas mettre vos mains près de la brosse lorsque l'appareil est en marche.

CONSIGNES DE SÉCURITÉ IMPORTANTES

AVANT D'UTILISER L'APPAREIL, LIRE TOUTES LES INSTRUCTIONS ET CONSIGNES DE SÉCURITÉ DANS CE MANUEL ET SUR L'APPAREIL

Lorsque vous utilisez un appareil électrique, vous devez toujours suivre les précautions de base suivantes :

⚠ AVERTISSEMENT

AFIN DE RÉDUIRE LES RISQUES D'INCENDIE, DE DÉCHARGE ÉLECTRIQUE OU DE BLESSURE :

CES AVERTISSEMENTS S'APPLIQUENT À L'APPAREIL ET À TOUS LES ACCESSOIRES, AINSI QUE, S'IL Y A LIEU, À TOUT CHARGEUR OU ADAPTEUR PRINCIPAL.

1. Cet appareil ne doit pas être utilisé par de jeunes enfants ni des personnes dont les capacités physiques, sensorielles ou de raisonnement sont réduites, ou qui manquent d'expérience ou de connaissances, à moins qu'une personne responsable ne les supervise ou leur indique comment utiliser cet appareil de façon sécuritaire.
2. Cet appareil n'est pas un jouet. Faire très attention lorsqu'on l'utilise près d'enfants ou si ceux-ci s'en servent. Il faut veiller à ce que les enfants ne jouent pas avec l'appareil.
3. Utiliser cet appareil seulement de la façon décrite dans le présent guide. Ne pas effectuer de travaux d'entretien autres que ceux indiqués dans ce guide ou recommandés par le service d'assistance téléphonique de Dyson.
4. Convient aux surfaces sèches seulement. Ne pas utiliser à l'extérieur ou sur des surfaces mouillées.
5. Ne pas aspirer d'eau.
6. Ne pas toucher la prise ou l'appareil avec des mains mouillées.
7. Ne pas utiliser si la fiche ou le cordon est endommagé. Si le cordon est endommagé, il doit être remplacé par Dyson ou un agent qualifié afin d'éviter les dangers.
8. Si l'appareil fonctionne mal, s'il a reçu un coup violent, s'il a été échappé, endommagé, laissé à l'extérieur ou plongé dans l'eau, ne pas l'utiliser et communiquer avec le service d'assistance téléphonique de Dyson.
9. Pour toute réparation ou procédure d'entretien, communiquer avec la ligne d'assistance Dyson. Ne pas démonter l'appareil. S'il est réassemblé de manière inappropriée, cela peut causer un incendie ou des décharges électriques.
10. Ne pas étirer le cordon ni lui faire subir une tension. Garder le cordon loin des zones de chaleur. Ne pas le coincer dans une porte ni le faire passer sur des bords et des angles pointus. Éloigner le cordon des aires de passage et le placer à un endroit où il ne risque pas de causer une chute. Ne pas faire passer l'appareil sur le cordon.
11. Ne pas débrancher l'appareil en tirant sur le cordon. Pour le débrancher, saisir la fiche et non le cordon. Nous déconseillons l'utilisation d'une rallonge électrique.
12. Ne pas l'utiliser pour aspirer des liquides inflammables ou combustibles, comme de l'essence, ni dans des zones où il peut y avoir de tels liquides ou émanations de leurs vapeurs.
13. Ne pas aspirer d'objets qui brûlent ou qui fument, comme des cigarettes, des allumettes ou des cendres incandescentes.
14. Éloigner les cheveux, les vêtements amples, les doigts et toute partie du corps des ouvertures et des pièces mobiles, comme la brosse. Ne pas pointer le tuyau souple, le tube-rallonge ou les accessoires vers les yeux ou oreilles et ne pas les mettre dans la bouche.
15. Ne placer aucun objet dans les ouvertures. Ne pas l'utiliser si une ouverture est obstruée; enlever la poussière, les peluches, les cheveux et tout ce qui pourrait réduire la circulation de l'air.
16. Utiliser seulement les accessoires et les pièces de rechange recommandés par Dyson.
17. S'assurer que le cordon est placé à un endroit où il ne risque pas de causer une chute, d'être endommagé ou de subir des contraintes.
18. Ne pas l'utiliser lorsque le collecteur transparent et le filtre ne sont pas en place.
19. Débrancher de la prise lorsque l'aspirateur n'est pas utilisé durant de longues périodes et avant toute intervention aux fins d'entretien ou de réparation.
20. Redoubler de prudence dans les escaliers.
21. Ne pas installer, recharger ou utiliser cet aspirateur à l'extérieur, dans une salle de bains ou à moins de 3 mètres (10 pi) d'une piscine. Ne pas l'utiliser sur des surfaces humides et éviter de l'exposer à l'humidité, à la pluie ou à la neige.
22. Utiliser seulement des chargeurs Dyson pour recharger la pile de cet aspirateur Dyson. N'utiliser que des piles Dyson; l'utilisation d'autres types de piles peut causer une explosion occasionnant des blessures et des dommages.
23. Ne pas incinérer cet aspirateur même s'il est très endommagé. La pile pourrait exploser et causer un incendie.
24. Ne pas appuyer sur le bouton de déclenchement de la batterie pendant l'utilisation normale de l'appareil.
25. Toujours mettre l'appareil hors tension avant de raccorder ou de retirer la brosse à moteur.

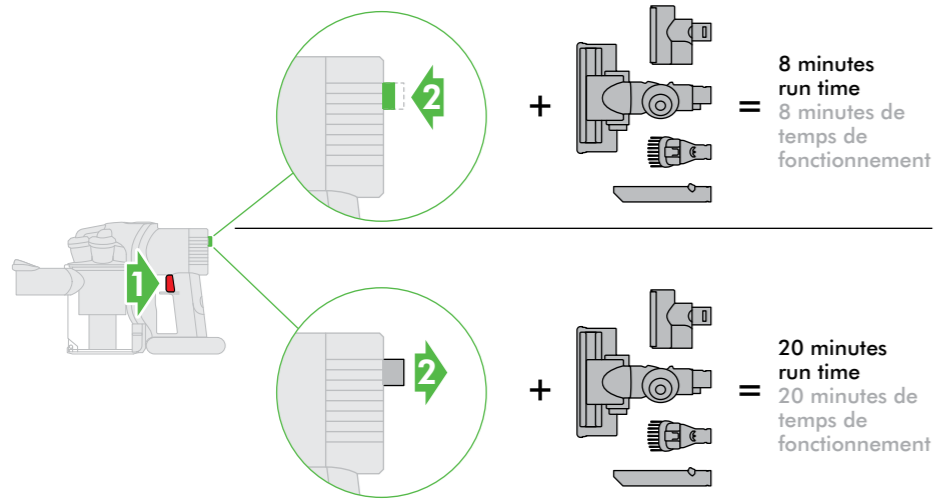
LIRE ET CONSERVER CES INSTRUCTIONS

CET APPAREIL DYSON EST CONÇU POUR UN USAGE DOMESTIQUE SEULEMENT

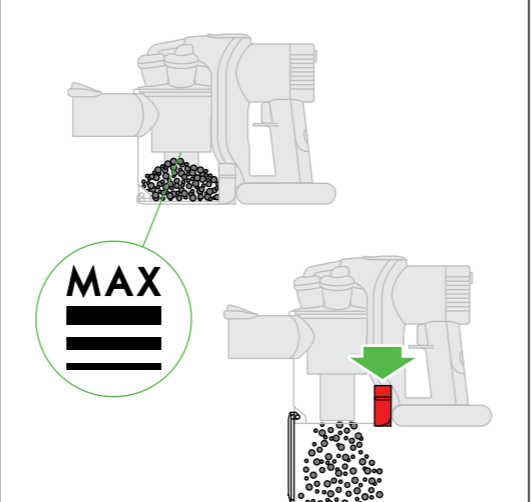
INSTRUCTIONS DE POLARISATION

Afin de réduire les risques de décharge électrique, cet appareil a été muni d'une fiche polarisée (une broche est plus large que l'autre). Cette fiche peut être branchée à une prise polarisée d'une seule façon. Si elle n'entre pas entièrement dans la prise, l'inverser. Si cela ne fonctionne toujours pas, communiquer avec un électricien qualifié afin de faire installer une prise appropriée. Ne pas tenter de déjouer ce dispositif de sécurité et ne jamais modifier la fiche.

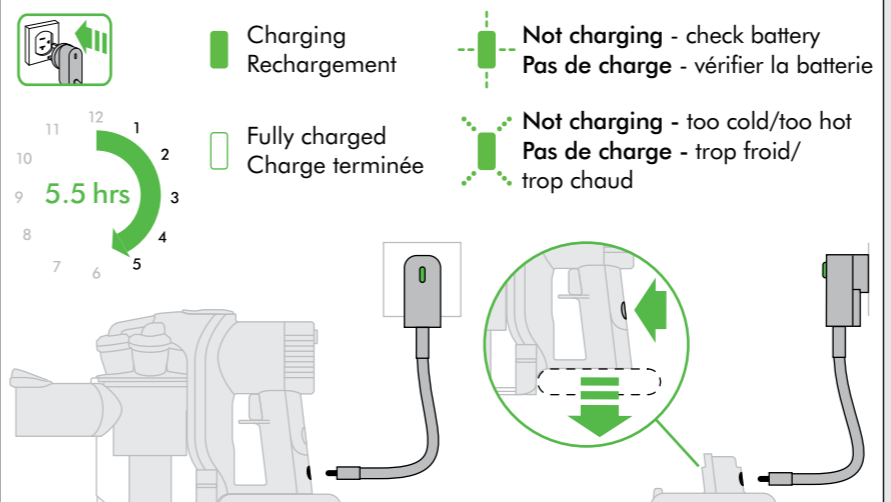
Power
Puissance



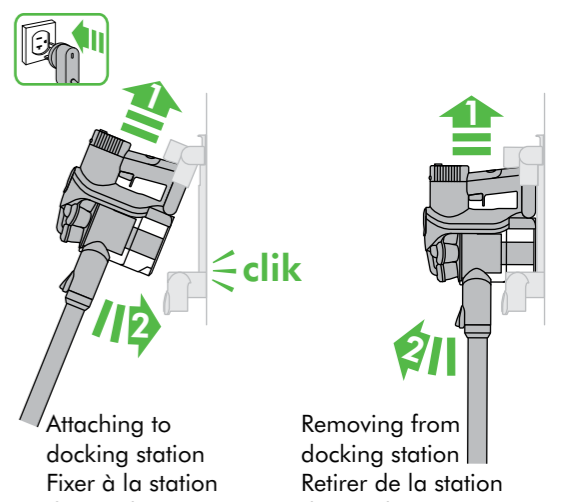
Emptying the clear bin
Vidage du collecteur transparent



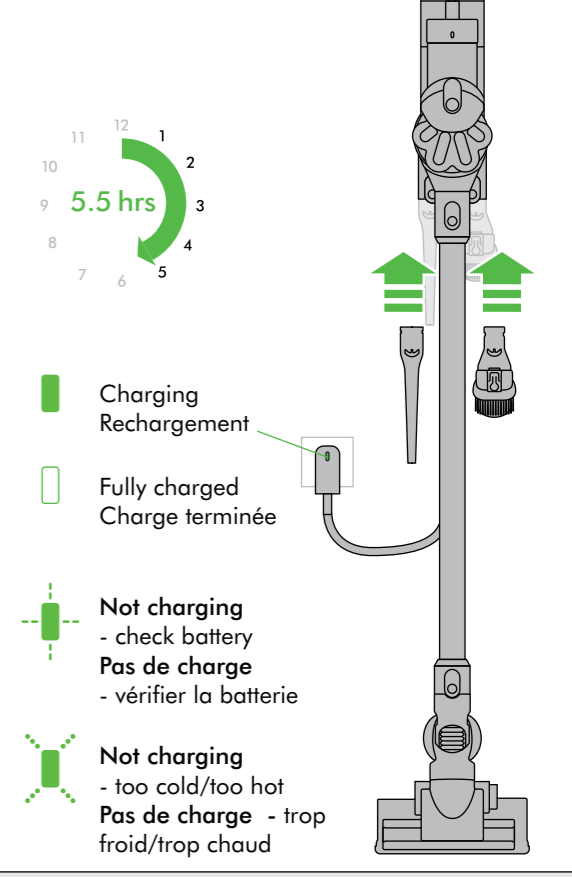
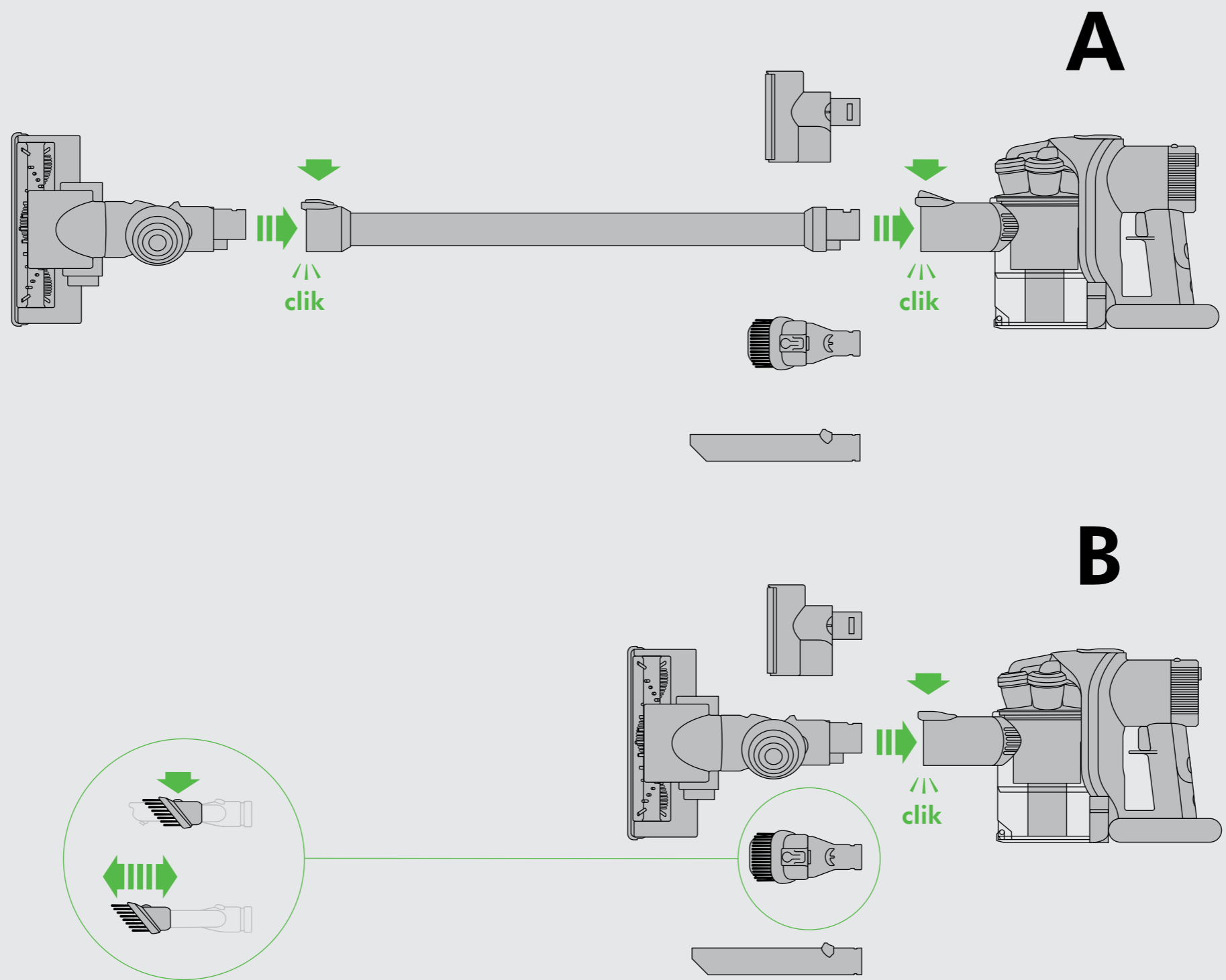
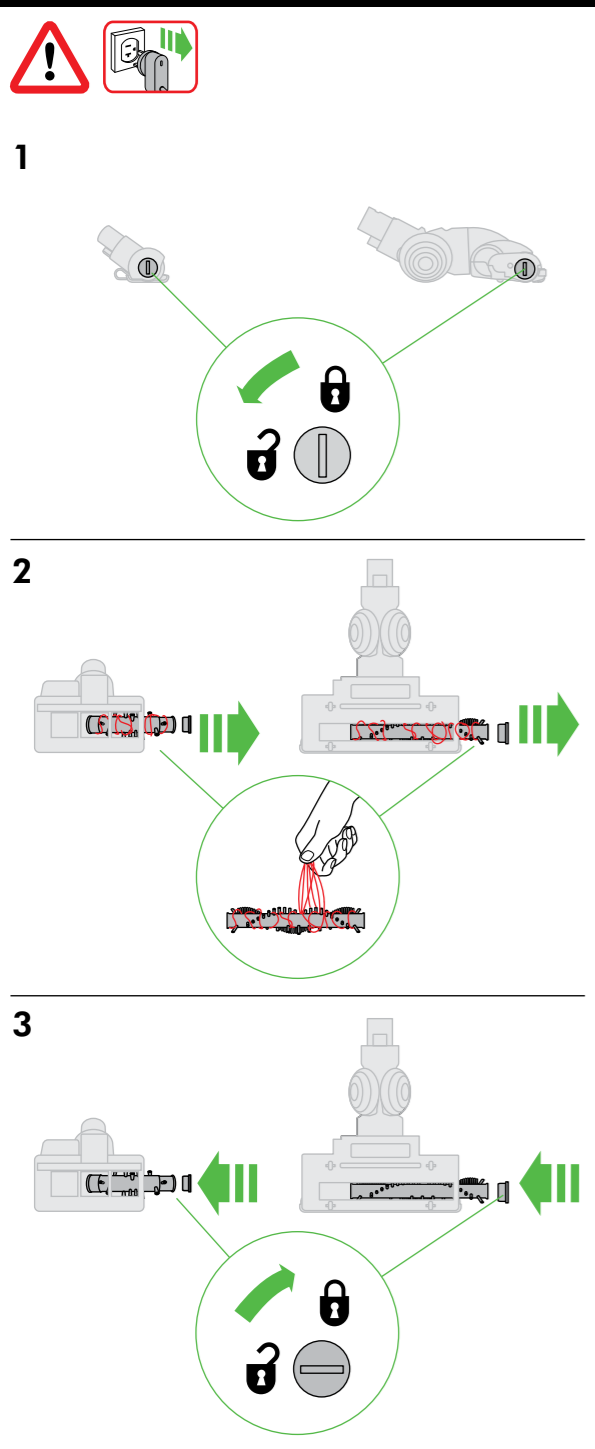
Charging
Rechargement



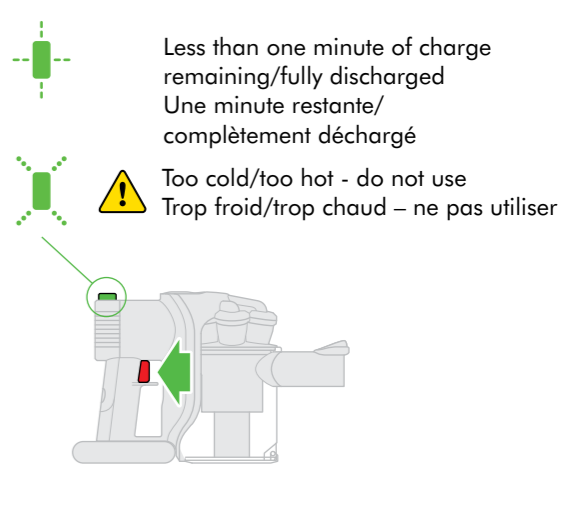
Storage and charging in the docking station
Rangement et charge sur la station d'accueil

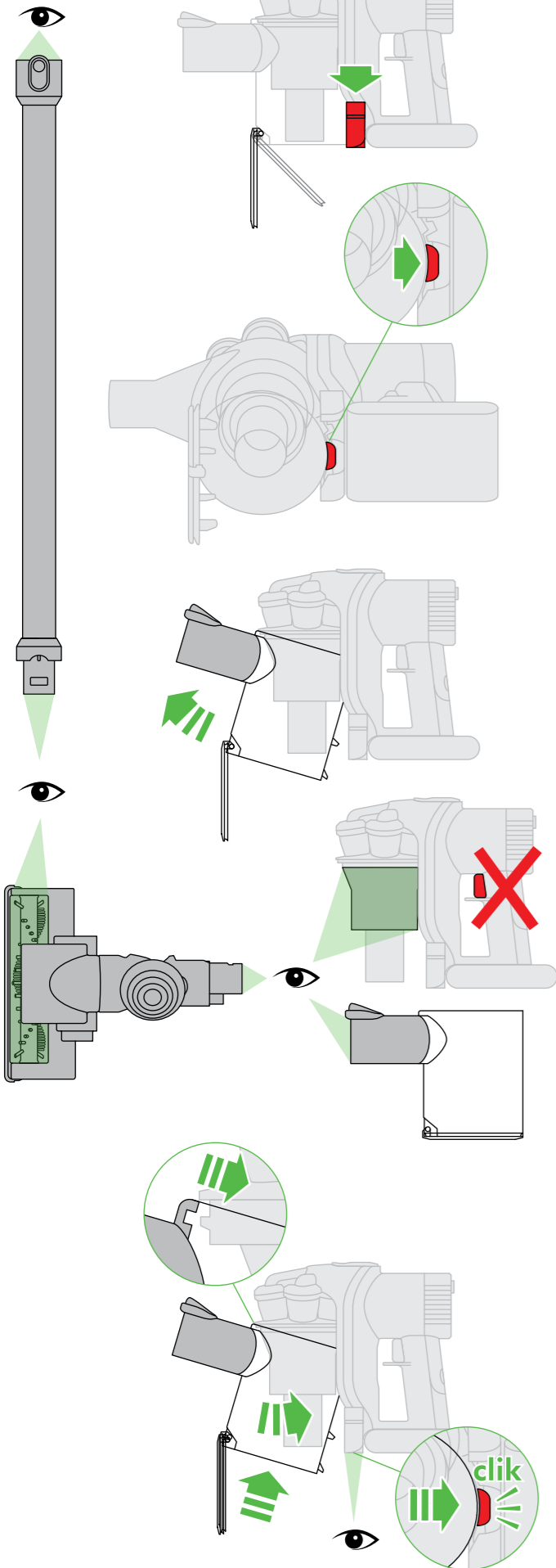


Clearing brush bar obstructions
Élimination des obstructions sur la brosse



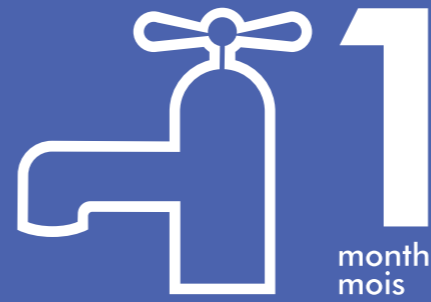
Diagnostics
Diagnostics



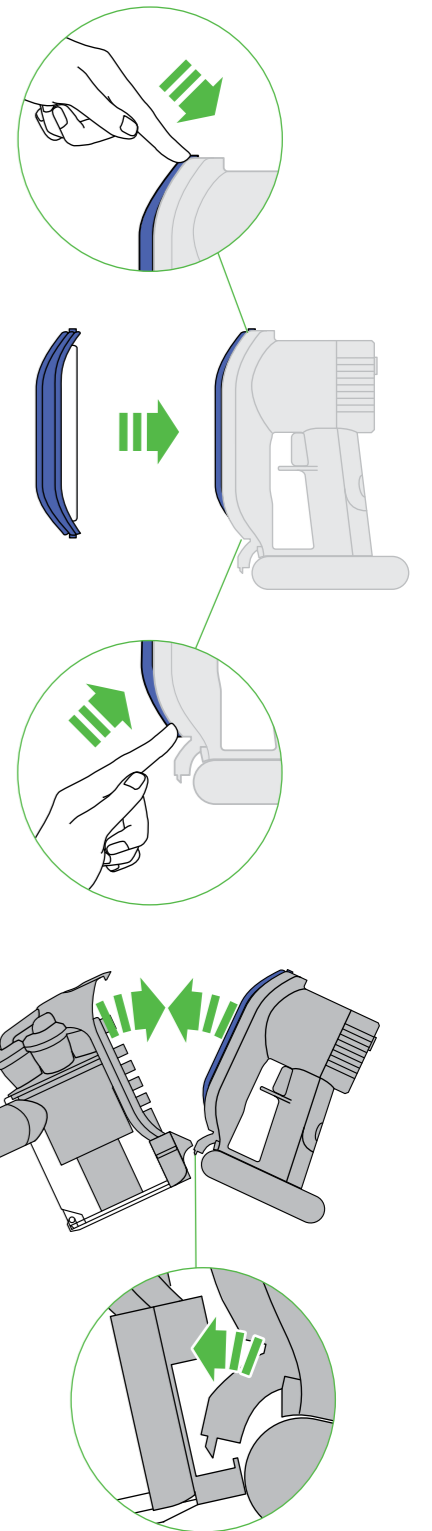
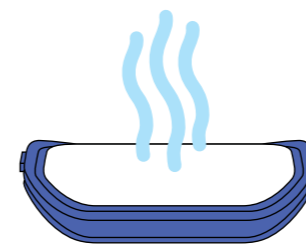
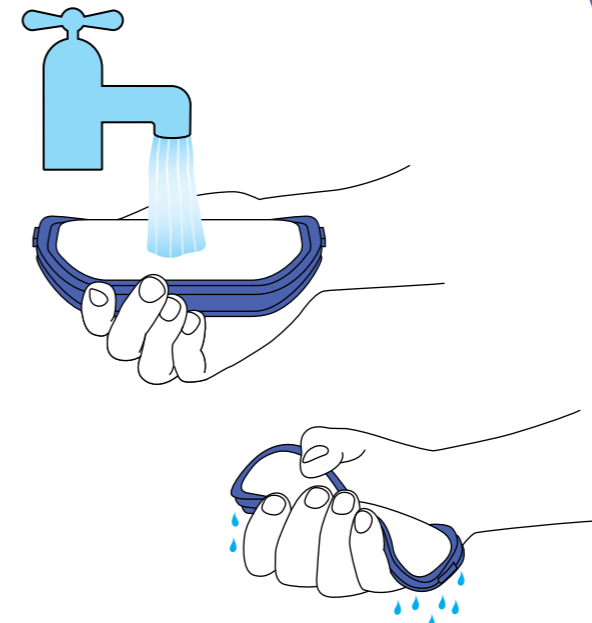
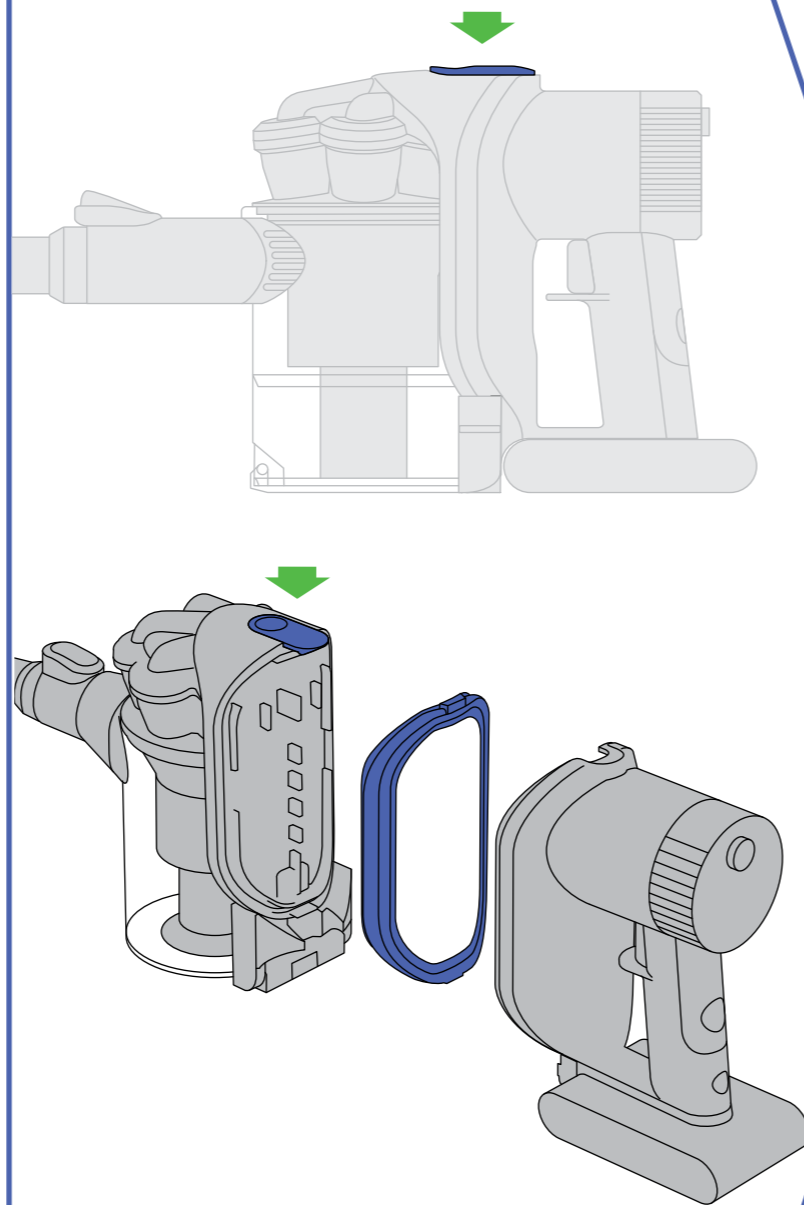


IMPORTANT!

WASH FILTER LAVER LE FILTRE



Wash filter with cold water at least every month.
Laver le filtre à l'eau froide une fois par mois minimum.



USING YOUR DYSON APPLIANCE

PLEASE READ THE 'IMPORTANT SAFETY INSTRUCTIONS' IN THIS DYSON OPERATING MANUAL BEFORE PROCEEDING.

OPERATION

- Do not allow this appliance to be used by anyone who may not be able to operate it safely.
- Do not use outdoors or on wet surfaces or to vacuum water or other liquids – electric shock could occur.
- Ensure the appliance remains upright in use. Dirt and debris may be released if it is turned upside down.
- Be careful not to engage the silver battery release button during normal operation.
- Do not operate while checking for blockages.
- For domestic indoor and car use only. Do not use it whilst the car is in motion or while driving.
- To watch a short online video visit:
www.english.dysoncanada.ca/dc45gettingstarted

CARPETS OR HARD FLOORS

- Before vacuuming your flooring, rugs and carpets, check the manufacturer's recommended cleaning instructions.
- Before vacuuming highly polished floors, such as wood or linoleum, first check that the underside of the floor tool and its brushes are free from foreign objects that could cause marking.

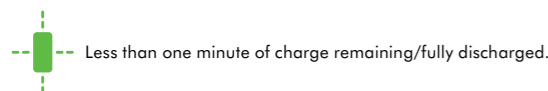
LOOKING AFTER YOUR DYSON APPLIANCE

- Do not carry out any maintenance or repair work other than that shown in this Dyson Operating Manual, or advised by the Dyson Helpline.
- Only use parts recommended by Dyson. If you do not this could invalidate your warranty.
- Store the appliance indoors. Do not use or store it below 0°C (32°F). Ensure the appliance is at room temperature before operating.
- Clean the appliance only with a dry cloth. Do not use any lubricants, cleaning agents, polishes or air fresheners on any part of the appliance.

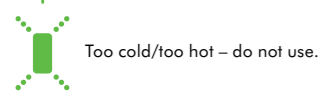
VACUUMING

- Do not use without the clear bin and filter in place.
- Fine dirt such as plaster dust or flour should only be vacuumed in very small amounts.
- Do not use the appliance to pick up sharp hard objects, small toys, pins, paper clips, etc. They may damage the appliance.
- When vacuuming, certain carpets may generate small static charges in the clear bin or wand. These are harmless and are not associated with the mains electricity supply. To minimize any effect from this, do not put your hand or insert any object into the clear bin unless you have first emptied it and rinsed it out with cold water (see 'Cleaning the clear bin').
- Use extra care when cleaning on stairs.
- Do not rest the appliance on chairs, tables, etc.
- Do not press down on the nozzle with excessive force when using the appliance as this may cause damage.
- Do not leave the cleaner head in one place on delicate floors.
- On waxed floors the movement of the cleaner head may create an uneven lustre. If this happens, wipe with a damp cloth, polish the area with wax, and wait for it to dry.

DIAGNOSTICS – APPLIANCE



Less than one minute of charge remaining/fully discharged.



Too cold/too hot – do not use.

EMPTYING THE CLEAR BIN

- Empty as soon as the dirt reaches the level of the MAX mark – do not overfill.
- Ensure the appliance is disconnected from the charger before emptying the clear bin.
- To release the dirt, push the red button at the side of the clear bin as shown.
- To minimize dust/allergen contact when emptying, encase the clear bin tightly in a plastic bag and empty.
- Remove the clear bin carefully.
- Seal the bag tightly, dispose as normal.
- To make emptying the clear bin easier, it is advisable to remove the wand and floor tool.

CLEANING THE CLEAR BIN

- Ensure the appliance is disconnected from the charger before removing the clear bin. Be careful not to pull the 'ON' trigger.
- Remove the wand and floor tool.
- To remove the clear bin, push the red button at the side of the clear bin as you would when emptying the clear bin. This will expose the red release button on the underside of the handle. Press this to release the clear bin.
- Remove the clear bin carefully.
- Clean the clear bin with a damp cloth only.
- Ensure the clear bin is completely dry before replacing.
- Do not use detergents, polishes or air fresheners to clean the clear bin.
- Do not put clear bin in a dishwasher.
- Clean the cyclone shroud with a dry cloth or dry brush to remove lint and dust.
- To replace the clear bin, fit the tab on the rim of the cyclone shroud into the aperture on the inside of the top of the clear bin. Push the clear bin up and in. It will click into place.
- Close the base of the clear bin.

WASHING YOUR FILTER

- Ensure the appliance is disconnected from the charger before removing the filter.
- Your appliance has one washable filter, located as shown.
- Press the 'Filter' button so you can remove the cyclone and clear bin unit.
- Check and wash the filter regularly according to instructions to maintain performance.
- The filter may require more frequent washing if vacuuming fine dust or if used mainly in 'HIGH CONSTANT SUCTION' mode.
- Wash the filter with cold water only. Do not use detergents.
- Do not put the filter in a dishwasher, washing machine, tumble dryer, oven, microwave or near an open flame.
- IMPORTANT:** After washing please leave the filter to dry completely, at least 12 hours, before refitting.
- Place the dry filter into the recess of the handle.
- Fit the base of the handle into the aperture on the base of the cyclone and clear bin unit. Push both halves together until the 'Filter' button engages and locks into place.
- To watch a short online video visit:
www.english.dysoncanada.ca/dc45filterwash

LOOKING FOR BLOCKAGES

- Ensure the appliance is disconnected from the charger before looking for blockages.
- Do not operate while checking for blockages. Failure to do so could result in personal injury.
- Beware of sharp objects when checking for blockages.
- Refit all parts securely before using.
- Clearing blockages is not covered by your warranty.
- If you cannot clear an obstruction you may need to remove the brush bar. Use a coin to unlock the fastener marked with a padlock. Remove the obstruction. Replace the brush bar and secure it by locking the fastener. Ensure it is fixed firmly before operating the appliance.
- Take care if coming into contact with the carbon fibre brushes, as they may cause minor skin irritation. Wash your hands after handling the brushes.

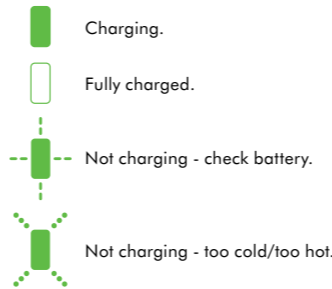
CLEARING BLOCKAGES – THERMAL CUT-OUT

- This appliance is fitted with an automatically resetting thermal cut-out.
- Large items may block the tools or nozzle. If any part becomes blocked the appliance may overheat and automatically cut-out.
- Leave to cool down for 1-2 hours before checking the filter or for blockages.
- Ensure the appliance is disconnected from the charger before looking for blockages. Failure to do so could result in personal injury.
- Clear any blockage before restarting.
- Refit all parts of the appliance securely before using.
- Clearing blockages is not covered by your warranty.

CHARGING AND STORING

- This appliance will switch 'OFF' if the battery temperature is below 3°C (37.4°F). This is designed to protect the motor and battery. Do not charge the appliance and then move it to an area with a temperature below 3°C (37.4°F) for storage purposes.
- To help prolong battery life, avoid recharging immediately after a full discharge. Allow to cool for a few minutes.
- Avoid using the appliance with the battery flush to a surface. This will help it run cooler and prolong battery run time and life.
- If mounting the docking station on a wall, follow the instructions supplied with this appliance. Ensure the docking station is fitted correctly and the right way up, so the motor of the appliance is at the top when in place. Take all necessary safety precautions. Use appropriate fixings, tools and safety equipment.
- When charging via the docking station the battery must be in the appliance.
- The battery can be charged on or off the appliance. Take care when removing the battery.

DIAGNOSTICS – CHARGER



BATTERY SAFETY INSTRUCTIONS

- Disconnect the charger from the mains electricity supply when removing the battery.
- To release the battery press the silver button on the handle.
- Use only Dyson batteries and Dyson charging unit.
- The battery is a sealed unit and under normal circumstances poses no safety concerns. In the unlikely event that liquid leaks from the battery do not touch the liquid and observe the following precautions:
 - Skin contact – can cause irritation. Wash with soap and water.
 - Inhalation – can cause respiratory irritation. Expose to fresh air and seek medical advice.
 - Eye contact – can cause irritation. Immediately flush eyes thoroughly with water for at least 15 minutes. Seek medical attention.
- Disposal – wear gloves to handle the battery and dispose of immediately, following local ordinances or regulations.



CAUTION:

The battery used in this device may present a risk of fire or chemical burn if mistreated. Do not disassemble, short contacts, heat above 60°C (140°F), or incinerate. Replace battery with a Dyson battery only: use of any other battery may present a risk of fire or explosion. Dispose of used battery promptly. Keep away from children. Do not disassemble and do not dispose of in fire.

DISPOSAL INFORMATION

Dyson products are made from high grade recyclable materials. Please dispose of this product responsibly and recycle where possible.

- The battery should be removed from the product before it is disposed of.
- Dispose of, or recycle, the battery in accordance with local ordinances or regulations.

DYSON CUSTOMER CARE

THANK YOU FOR CHOOSING TO BUY A DYSON APPLIANCE

If you have a question about your Dyson appliance, please call the Dyson Helpline with your serial number and details of where/when you bought the appliance, or contact us via the Dyson website. Most questions can be solved over the phone or by email with one of our Dyson Helpline staff.

If your Dyson appliance needs service, call the Dyson Helpline so we can discuss the available options. If your appliance is under warranty, and the repair is covered, it will be repaired at no cost. The serial number can be found on the rating plate which is on the main body of the appliance behind the filter.

PLEASE REGISTER AS A DYSON APPLIANCE OWNER

To help us ensure you receive prompt and efficient service, please register as a Dyson appliance owner. There are three ways to do this:

- Online at www.dyson.com
- Telephone the Dyson Helpline at 1-877-397-6622.
- Complete the enclosed Warranty Form and mail it to us.

This will confirm ownership of your Dyson appliance in the event of an insurance loss, and enable us to contact you if necessary.

2 YEAR WARRANTY

TERMS AND CONDITIONS OF THE DYSON 2 YEAR LIMITED WARRANTY.

WHAT IS COVERED

Your Dyson appliance is warranted against original defects in material and workmanship for a period of 2 years from the date of purchase, when used for private household purposes in accordance with the Dyson Operating Manual. This warranty provides, at no extra cost to you, all labour and parts necessary to place your appliance in proper operating condition during the warranty period. This warranty is subject to the following terms:

WHAT IS NOT COVERED

- Dyson Canada Limited shall not be liable for costs incurred as a result of:
 - Appliances purchased from an unauthorized dealer.
 - Accidental damage, faults caused by negligent use or care, misuse, neglect, careless operation or handling of the appliance which is not in accordance with the Dyson Operating Manual.
 - Use of the appliance other than for normal domestic purposes within the country of purchase, e.g. for commercial or rental purposes.
 - Use of parts not in accordance with the Dyson Operating Manual.
 - Use of parts and accessories other than those produced or recommended by Dyson Canada Limited.
 - External sources such as weather.

- Repairs or alterations carried out by unauthorized parties or agents.
- Blockages – please refer to the Dyson Operating Manual for details of how to look for and clear blockages.
- Normal wear and tear, including normal wearing parts such as belt, filter, brush bar, hose assembly, and power cord (or where external damage or abuse is diagnosed).
- Carpet damage due to use not in accordance with flooring manufacturer's instructions or failure to turn the brush bar off when necessary.
- Reduction in battery discharge time due to battery age or use.

WARRANTY SERVICE

- Please fill out and return the Warranty Form, or register online at www.dyson.com
- Before service can take place, the terms of the warranty require that you contact the Dyson Helpline with your model name/number, serial number, date and place of purchase.
- Please keep your purchase receipt in a safe place to ensure you have this information.
- All work will be carried out by Dyson Canada Limited or their authorized agents.
- Any replaced defective parts will become property of Dyson Canada Limited.
- Service under this warranty will not extend the period of this warranty.
- If your appliance is not functioning properly, please call the Dyson Helpline. Most issues can be rectified over the telephone by our trained Dyson Helpline staff. If this is not possible Dyson Canada Limited will arrange for your appliance to be repaired and returned in full working order at no extra cost to you.

WARRANTY LIMITATIONS AND EXCLUSIONS

- Any representations, warranties or conditions relating to your appliance, express or implied, statutory or otherwise, including but not limited to warranty of merchantability or warranty of fitness for a particular purpose, are limited to the duration of this warranty. This limitation is not allowed by some Provinces or Territories and so this limitation may not apply to you.
- Your remedy for breach of this warranty is limited to the warranty service described above. Dyson Canada Limited will not be liable for any consequential damages or incidental damages you may incur in connection with your purchase and use of your appliance.
- This warranty gives you specific legal rights. You may also have other rights which vary by Province or Territory.
- This warranty is not transferable.
- This warranty is only available in Canada.

SUMMARY OF COVER

- The warranty becomes effective at the date of purchase (or the date of delivery if this is later).
- You must provide proof of delivery/purchase before any work can be carried out on your appliance. Without this proof, any work carried out will be chargeable.
- Please keep your receipt or delivery note.
- All work will be carried out by Dyson Canada Limited or its authorized agents.
- Any parts which are replaced will become the property of Dyson Canada Limited.
- The repair or replacement of your appliance under warranty will not extend the period of warranty.
- The warranty provides benefits which are additional to and do not affect your statutory rights as a consumer.

IMPORTANT DATA PROTECTION INFORMATION

Your details will be held by Dyson Canada Limited or others on behalf of Dyson Canada Limited so that we can assist you more quickly in our Dyson Helpline. From time to time, Dyson Canada Limited may send you special offers and news of our latest innovations. For more information about our data collection practices, please refer to the Dyson Canada Limited privacy policy at www.dyson.com

CONFORMITY INFORMATION

This Class B digital apparatus complies with Canadian ICES-003. The serial number can be found on the rating plate which is on main body of the appliance behind the filter.



This illustration is for example purposes only.

PRODUCT INFORMATION

Please note: Small details may vary from those shown.

INFORMATION RELATIVE À LA CONFORMITÉ

Cet appareil numérique de la classe B est conforme à la norme NMB-003 du Canada.

Le numéro de série figure sur la plaque signalétique apposée sur l'aspirateur, derrière le filtre.



Cette illustration est présentée à titre d'exemple.

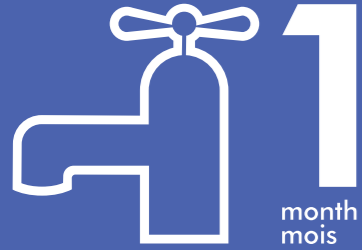
RENSEIGNEMENTS SUR LE PRODUIT

Remarque : certains petits détails peuvent varier de ceux illustrés.

IMPORTANT!

WASH FILTER

LAVER LE FILTRE



Wash filter with cold water at least every month.
Laver le filtre à l'eau froide une fois par mois minimum.



Dyson Customer Care

If you have a question about your Dyson appliance, please call the Dyson Helpline with your serial number and details of where/when you bought the appliance, or contact us via the Dyson website.

Assistance à la clientèle Dyson

Si vous avez des questions sur votre appareil Dyson, communiquez avec le service d'assistance téléphonique de Dyson. Ayez en main votre numéro de série et les détails relatifs à l'achat de l'appareil ou communiquez avec nous par l'entremise du site Web de Dyson.

DYSON CONTACT DETAILS

Website: www.dyson.com
Dyson Helpline: 1-877-397-6622.
Monday – Friday 8am – 7pm (EST).
Saturday 9am – 5pm (EST).
Closed Sundays and civic holidays.

COORDONNÉES

Site Web : www.dyson.com
Ligne d'assistance Dyson : 1-877-397-6622
Du lundi au vendredi – de 8 h à 19 h (HNE).
Le samedi – de 9 h à 17 h (HNE).
Fermé les dimanches et pendant les congés officiels.



QUESTIONNAIRE • QUESTIONNAIRE

Please take a few moments to answer our questions.
They will help us develop new products for the future.

Veillez prendre quelques instants pour répondre à nos questions.
Vos réponses nous aideront à mettre au point de nouveaux produits.

1. The appliance you most recently registered on the Dyson website was:
 - Your first Dyson purchase
 - A further Dyson purchase – you have previously owned other Dyson appliances
2. Have you ever recommended Dyson to other people?
 - Yes, at least once
 - Never
3. Do you have any cats or dogs in your home?
 - Yes
 - No
4. The floors in your home are:
 - Mostly carpeted
 - Mostly hard floors
5. Do you have air conditioning in your home?
 - Yes
 - No
6. Would you like to hear about future asthma and allergy related initiatives or product development at Dyson?
 - Yes
 - No

1. Le produit que vous avez dernièrement enregistré sur le site Web de Dyson, s'agit-il :
 - du premier produit Dyson que vous avez acheté
 - d'un autre produit Dyson que vous avez acheté – vous avez possédé récemment d'autres aspirateurs Dyson
2. Avez-vous recommandé des produits Dyson à d'autres personnes?
 - Oui, au moins une fois
 - Jamais
3. Avez-vous des chats ou des chiens dans votre foyer?
 - Oui
 - Non
4. Les planchers dans votre foyer sont :
 - essentiellement des planchers tapissés
 - essentiellement des planchers durs
5. Votre foyer est-il climatisé?
 - Oui
 - Non
6. Désirez-vous obtenir de l'information au sujet des initiatives en matière d'asthme et d'allergies ainsi que du développement de produits chez Dyson?
 - Oui
 - Non



Date of purchase | Date d'achat / /

Place of purchase | Lieu d'achat

Serial number | Numéro de série

Title | Titre

Surname | Nom

First name | Prénom

Address | Adresse

Postal Code | Code postal

email | Courriel

Telephone | Téléphone

<p><input type="checkbox"/></p> <p>From time to time, we'd like to tell you about new Dyson technology and services. If you'd prefer us NOT to keep in touch, please tick this box.</p> <p>De temps à autre, nous voudrions vous informer au sujet des nouvelles technologies et des nouveaux services de Dyson ou obtenir votre opinion sur votre achat. Si vous préférez que l'on ne communique PAS avec vous, veuillez cocher cette case.</p>	<p>You must provide proof of delivery/purchase before any work can be carried out on your appliance. Without this proof, any work carried out will be chargeable.</p> <p>Please keep your receipt or delivery note.</p> <p>Vous devez fournir une preuve d'achat ou de livraison pour toute réparation effectuée sur votre appareil. Sans présentation de cette preuve, toute réparation effectuée vous sera facturée. Veuillez conserver votre reçu ou bon de livraison.</p>
--	--

3 EASY WAYS TO REGISTER | 3 FAÇONS DE S'ENREGISTRER FACILEMENT

ONLINE
 Convenient and instant.
www.dyson.com

EN LIGNE
 Pratique et instantané.
www.dyson.com

PHONE
 Dyson Helpline:
1-877-397-6622
 Monday – Friday 8am – 7pm (EST).
 Saturday 9am – 5pm (EST).
 Closed Sundays and civic holidays.

PAR TÉLÉPHONE
 Ligne d'assistance Dyson :
1-877-397-6622 Du lundi au vendredi
 – de 8 h à 19 h (HNE). Le samedi –
 de 9 h à 17 h (HNE). Fermé les dimanches
 et pendant les congés officiels.

MAIL
 Complete and return
 the form in the envelope
 supplied.

PAR COURRIER
 Remplir le formulaire fourni et le
 retourner dans l'enveloppe jointe
 à cet effet.

