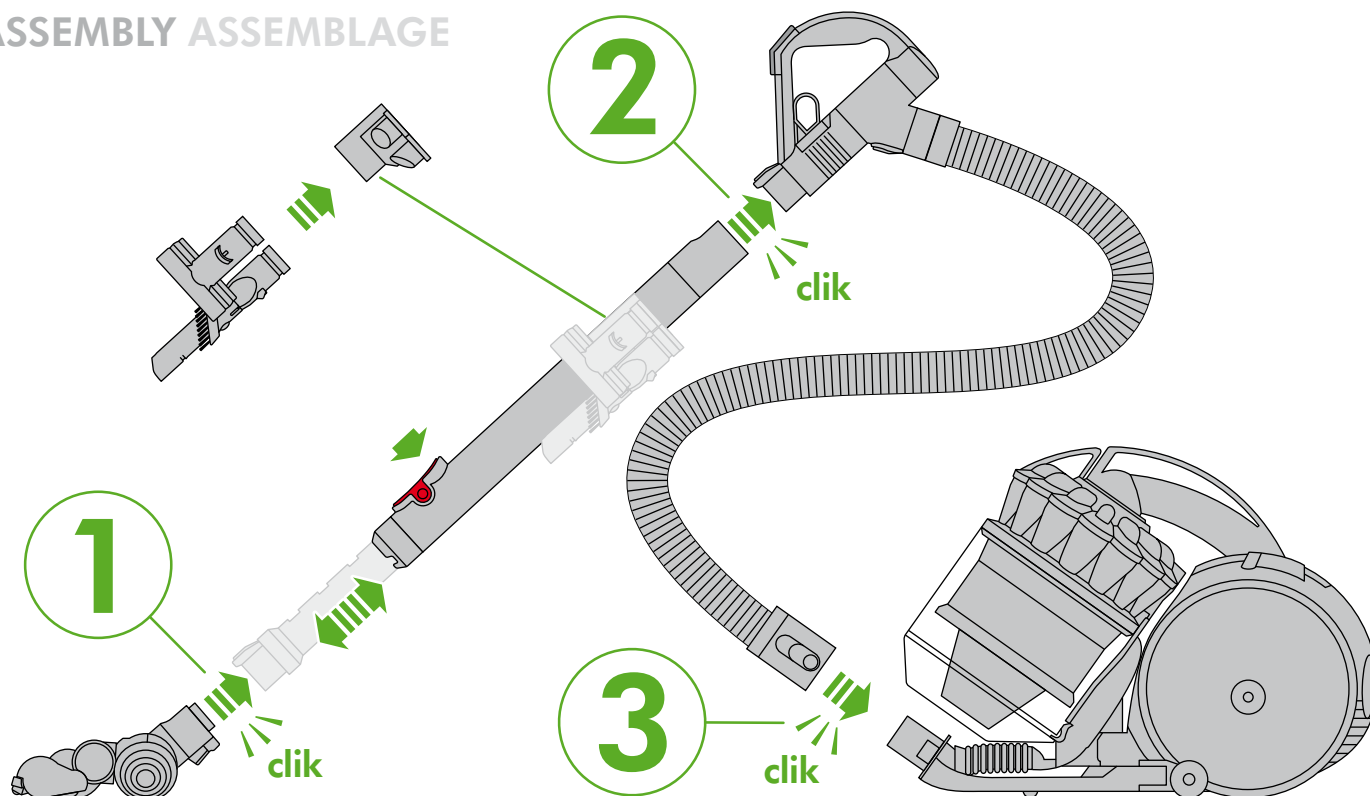


ASSEMBLY ASSEMBLAGE



WASH FILTER

Wash filter with cold water at least every month.

LAVER LE FILTRE

Laver le filtre à l'eau froide une fois par mois minimum.

REGISTER TODAY

3 easy ways to register your 5 year warranty.

ENREGISTREMENT

3 façons faciles de vous enregistrer pour bénéficier d'une garantie de 5 ans



IMPORTANT SAFETY INSTRUCTIONS

BEFORE USING THIS APPLIANCE READ ALL INSTRUCTIONS AND CAUTIONARY MARKINGS IN THIS MANUAL AND ON THE APPLIANCE

When using an electrical appliance, basic precautions should always be followed, including the following:

WARNING

TO REDUCE THE RISK OF FIRE, ELECTRIC SHOCK, OR INJURY:

1. This Dyson appliance is not intended for use by young children or infirm persons with reduced physical, sensory or reasoning capabilities, or lack of experience and knowledge, unless they have been given supervision or instruction by a responsible person concerning use of the appliance to ensure that they can use it safely.
2. Do not allow to be used as a toy. Close attention is necessary when used by or near children. Children should be supervised to ensure that they do not play with the appliance.
3. Use only as described in this Dyson Operating Manual. Do not carry out any maintenance other than that shown in this manual, or advised by the Dyson Helpline.
4. Suitable for dry locations only. Do not use outdoors or on wet surfaces.
5. Do not use to pick up water.
6. Do not handle any part of the plug or appliance with wet hands.
7. Do not use with a damaged cord or plug. If the supply cord is damaged it must be replaced by Dyson, its service agent or similarly qualified persons in order to avoid a hazard.
8. If the appliance is not working as it should, has received a sharp blow, has been dropped, damaged, left outdoors, or dropped into water, do not use and contact the Dyson Helpline.
9. Contact the Dyson Helpline when service or repair is required. Do not disassemble the appliance as incorrect reassembly may result in an electric shock or fire.
10. Do not stretch the cord or place the cord under strain. Keep the cord away from heated surfaces. Do not close a door on the cord, or pull the cord around sharp edges or corners. Arrange the cord away from traffic areas and where it will not be stepped on or tripped over. Do not run the appliance over the cord.
11. Do not unplug by pulling on the cord. To unplug, grasp the plug, not the cord. The use of an extension cord is not recommended.
12. Do not use to pick up flammable or combustible liquids, such as gasoline, or use in areas where they or their vapours may be present.
13. Do not pick up anything that is burning or smoking, such as cigarettes, matches, or hot ashes.
14. Keep hair, loose clothing, fingers, and all parts of the body away from openings and moving parts, such as the brush bar. Do not point the hose, wand or tools at your eyes or ears or put them in your mouth.
15. Do not put any object into openings. Do not use with any opening blocked; keep free of dust, lint, hair, and anything that may reduce airflow.
16. Use only Dyson recommended accessories and replacement parts.
17. To avoid a tripping hazard rewind the cord when not in use.
18. Do not use without the clear bin and filter in place.
19. Do not leave the appliance when plugged in. Unplug when not in use and before servicing.
20. Do not pull or carry by cord or use cord as a handle.
21. Use extra care when cleaning on stairs. Do not work with the appliance above you on the stairs.
22. Turn off all controls before unplugging. Unplug before connecting any tool or accessory.
23. Always extend the cord to the red line but do not stretch or tug the cord.
24. Hold the plug when rewinding onto cord reel. Do not allow the plug to whip when rewinding.

READ AND SAVE THESE INSTRUCTIONS

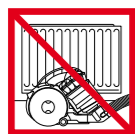
THIS DYSON APPLIANCE IS INTENDED FOR HOUSEHOLD USE ONLY

POLARIZATION INSTRUCTIONS

To reduce the risk of electric shock, this appliance has a polarized plug (one blade is wider than the other). This plug will fit in a polarized outlet only one way. If the plug does not fit fully in the outlet, reverse the plug. If it still does not fit, contact a qualified electrician to install the proper outlet. Do not attempt to defeat this safety feature and do not change the plug in any way.



Do not pull on the cord.



Do not store near heat sources.



Do not use near open flames.



Do not run over the cord.



Do not pick up water or liquids.



Do not pick up burning objects.



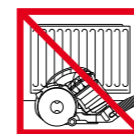
Do not use above you on the stairs.



Do not put hands near the brush bar when the appliance is in use.



Ne pas tirer sur le cordon.



Ne pas ranger à proximité de sources de chaleur.



Ne pas utiliser près de flammes nues.



Ne pas faire passer l'appareil sur le cordon.



Ne pas aspirer d'eau ni des liquides.



Ne pas aspirer des objets qui brûlent.



Ne pas mettre l'appareil au-dessus de vous lorsque vous nettoyez des escaliers.



Ne pas mettre vos mains près de la brosse lorsque l'appareil est en marche.

CONSIGNES DE SÉCURITÉ IMPORTANTES

AVANT D'UTILISER L'APPAREIL, LIRE TOUTES LES INSTRUCTIONS ET CONSIGNES DE SÉCURITÉ DANS CE MANUEL ET SUR L'APPAREIL

Lorsque vous utilisez un appareil électrique, vous devez toujours suivre les précautions de base suivantes :

AVERTISSEMENT

AFIN DE RÉDUIRE LES RISQUES D'INCENDIE, DE DÉCHARGE ÉLECTRIQUE OU DE BLESSURE :

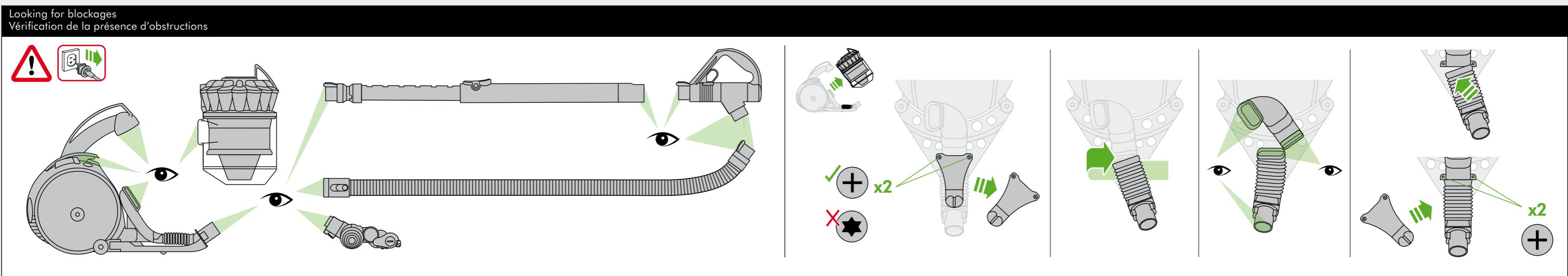
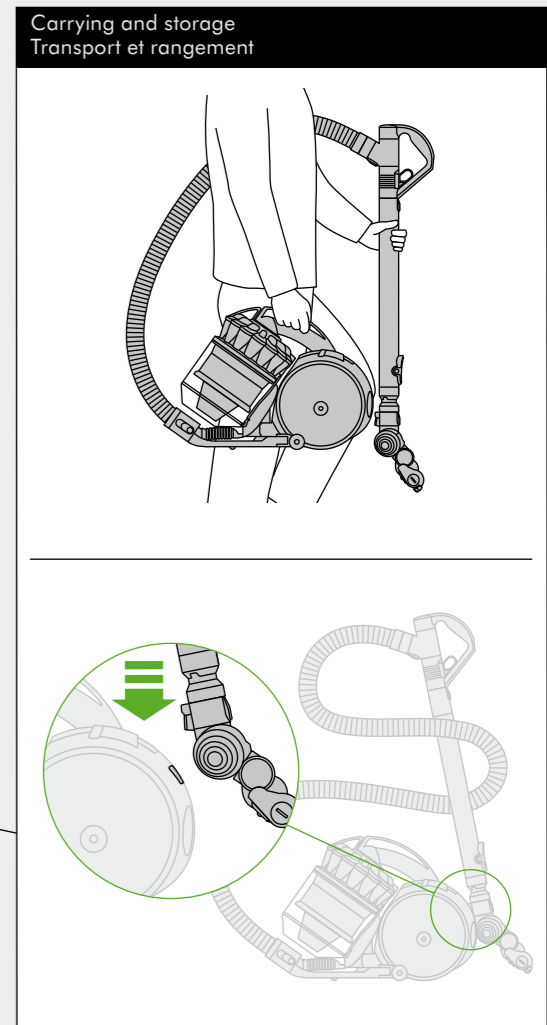
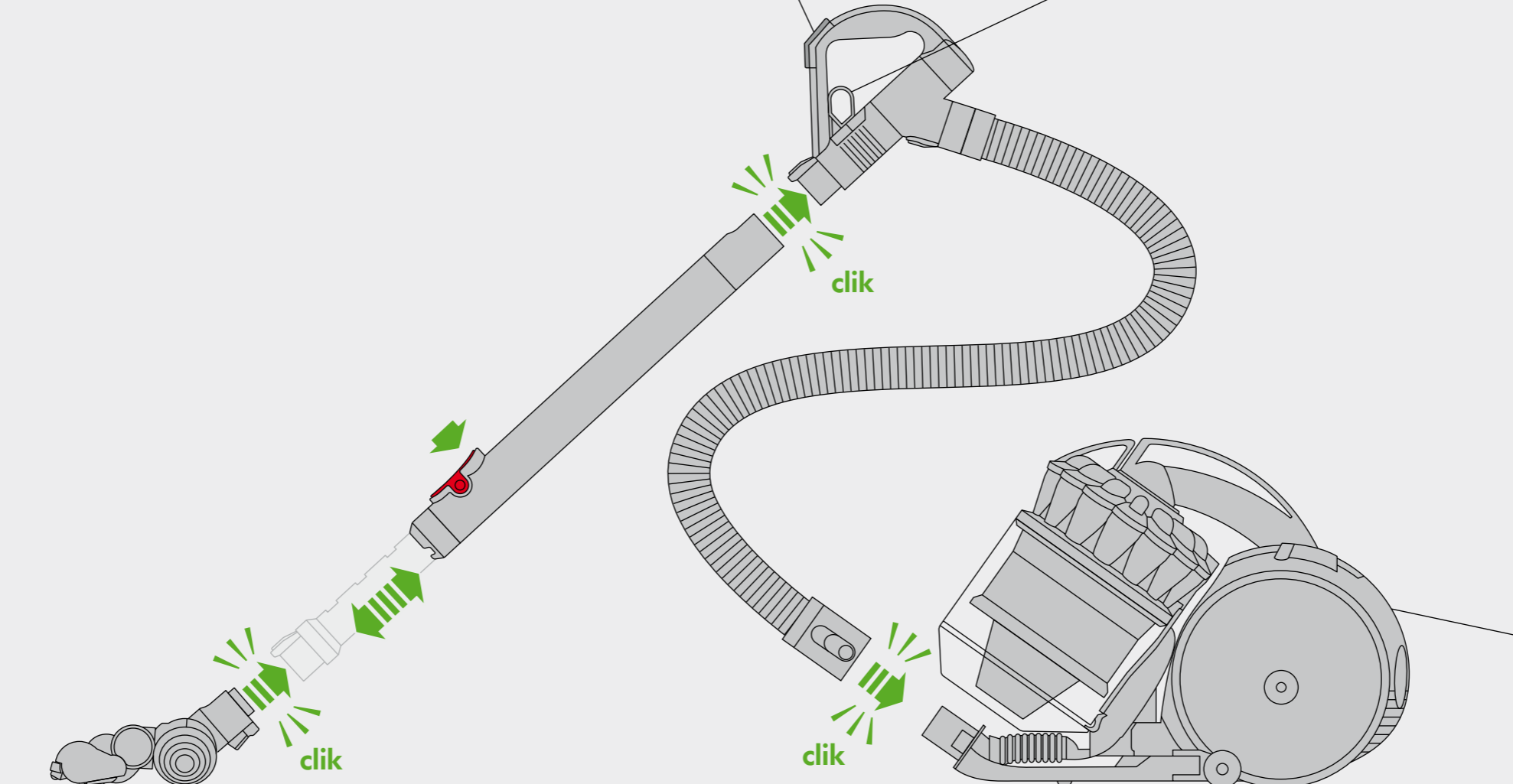
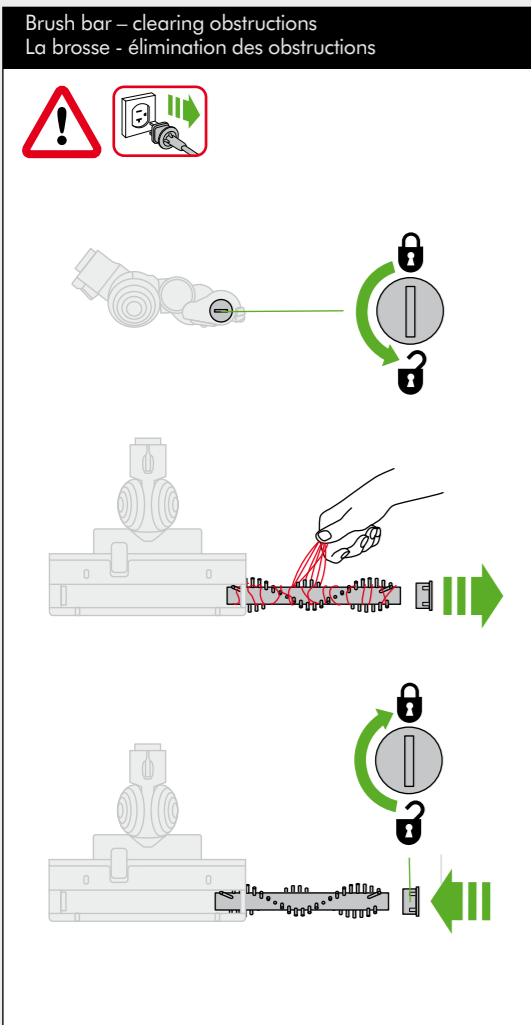
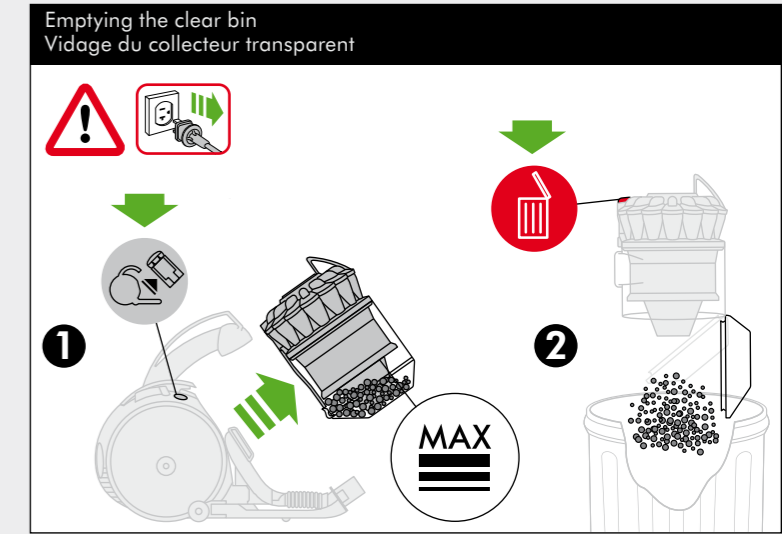
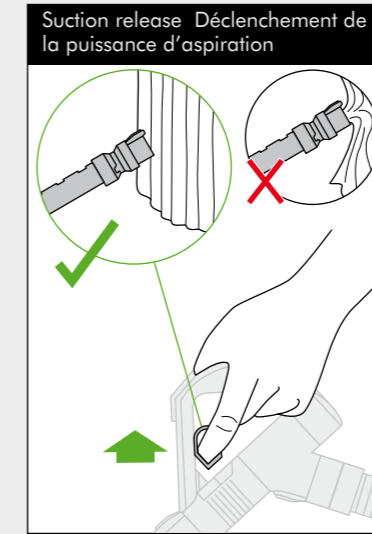
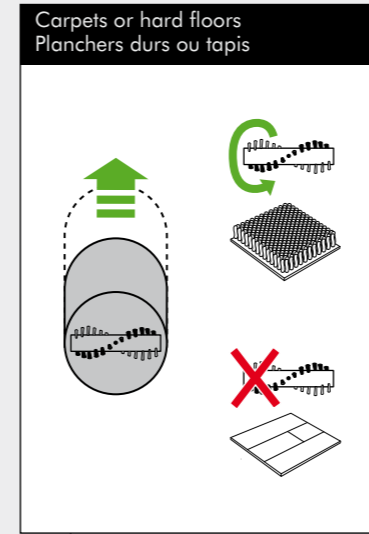
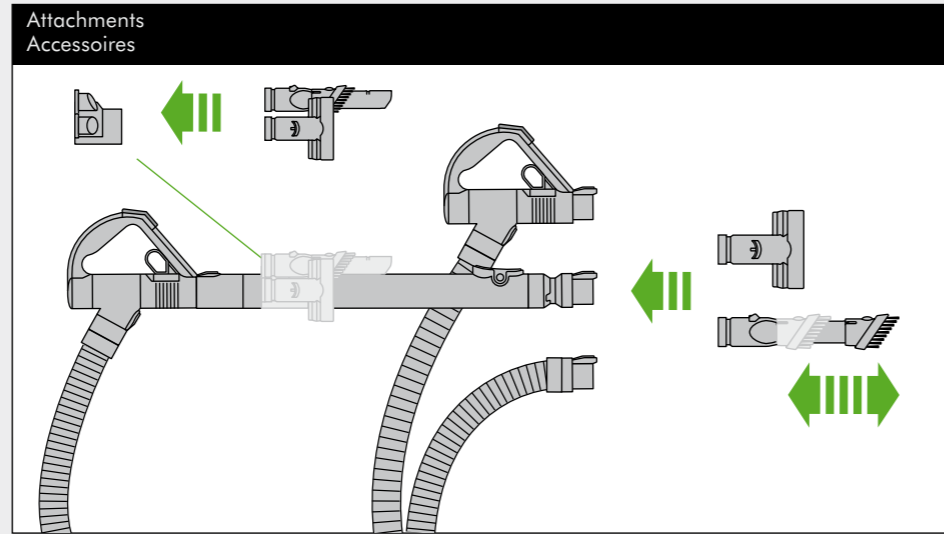
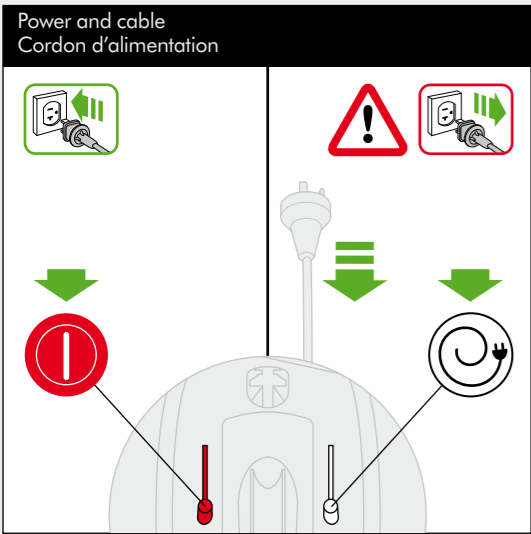
1. Cet appareil ne doit pas être utilisé par de jeunes enfants ni des personnes dont les capacités physiques, sensorielles ou de raisonnement sont réduites, ou qui manquent d'expérience ou de connaissances, à moins qu'une personne responsable ne les supervise ou leur indique comment utiliser cet appareil de façon sécuritaire.
2. Cet appareil n'est pas un jouet. Faire très attention lorsqu'on l'utilise près d'enfants ou si ceux-ci s'en servent. Il faut veiller à ce que les enfants ne jouent pas avec l'appareil.
3. Utiliser cet appareil seulement de la façon décrite dans le présent guide. Ne pas effectuer d'entretien autre que ceux indiqués dans ce guide ou recommandés par le service d'assistance téléphonique de Dyson.
4. Convient aux surfaces sèches seulement. Ne pas utiliser à l'extérieur ou sur des surfaces mouillées.
5. Ne pas aspirer d'eau.
6. Ne pas toucher la prise ou l'appareil avec des mains mouillées.
7. Ne pas utiliser si la fiche ou le cordon est endommagé. Si le cordon est endommagé, il doit être remplacé par Dyson ou un agent qualifié afin d'éviter les dangers.
8. Si l'appareil fonctionne mal, s'il a reçu un coup violent, s'il a été échappé, endommagé, laissé à l'extérieur ou plongé dans l'eau, ne pas l'utiliser et communiquer avec le service d'assistance téléphonique de Dyson.
9. Pour toute réparation ou procédure d'entretien, communiquer avec la ligne d'assistance Dyson. Ne pas démonter l'appareil. S'il est réassemblé de manière inappropriée, cela peut causer un incendie ou des décharges électriques.
10. Ne pas étirer le cordon ni lui faire subir une tension. Garder le cordon loin des zones de chaleur. Ne pas le coincer dans une porte ni le faire passer sur des bords et des angles pointus. Éloigner le cordon des aires de passage et le placer à un endroit où il ne risque pas de causer une chute. Ne pas faire passer l'appareil sur le cordon.
11. Ne pas débrancher l'appareil en tirant sur le cordon. Pour le débrancher, saisir la fiche et non le cordon. Nous déconseillons l'utilisation d'une rallonge électrique.
12. Ne pas l'utiliser pour aspirer des liquides inflammables ou combustibles, comme de l'essence, ni l'employer dans des zones où ces liquides ou des vapeurs émanant de ces derniers peuvent être présents.
13. Ne pas aspirer d'objets qui brûlent ou qui fument, comme des cigarettes, des allumettes ou des cendres incandescentes.
14. Éloigner les cheveux, les vêtements amples, les doigts et toute partie du corps des ouvertures et des pièces mobiles, comme la brosse. Ne pas pointer le tuyau souple, le tube-rallonge ou les accessoires vers les yeux ou oreilles et ne pas les mettre dans la bouche.
15. Ne placer aucun objet dans les ouvertures. Ne pas l'utiliser si une ouverture est obstruée; enlever la poussière, les peluches, les cheveux et tout ce qui pourrait réduire la circulation de l'air.
16. Utiliser seulement les accessoires et les pièces de rechange recommandés par Dyson.
17. Pour éviter les chutes, enrouler le cordon lorsque l'appareil n'est pas utilisé.
18. Ne pas l'utiliser lorsque le collecteur transparent et le filtre ne sont pas en place.
19. Ne pas laisser l'appareil branché. Le débrancher lorsqu'il n'est pas utilisé ou avant l'entretien.
20. Ne pas soulever l'appareil ou le porter à l'aide du cordon. Ne pas utiliser le cordon comme une poignée.
21. Faire très attention durant le nettoyage d'un escalier. Ne pas placer l'appareil sur une marche d'escalier située plus haute que vous.
22. Éteindre toutes les commandes avant de débrancher l'appareil. Débrancher avant d'installer tout accessoire.
23. Tirer toujours avec précaution le cordon jusqu'au trait rouge et éviter de l'étirer.
24. Tenir la fiche durant l'enroulement du cordon. Ne pas laisser la fiche effectuer un mouvement de fouet durant l'enroulement.

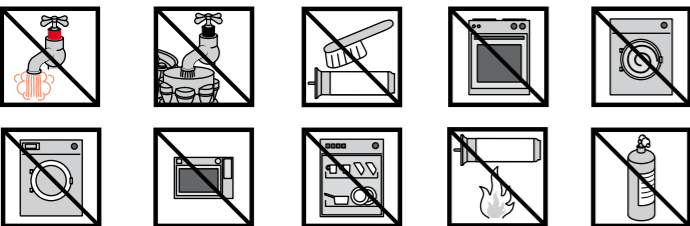
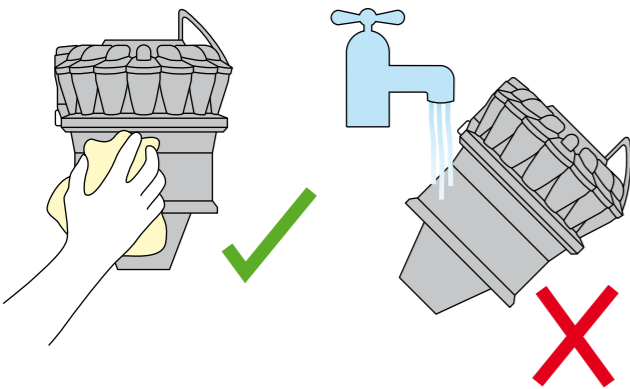
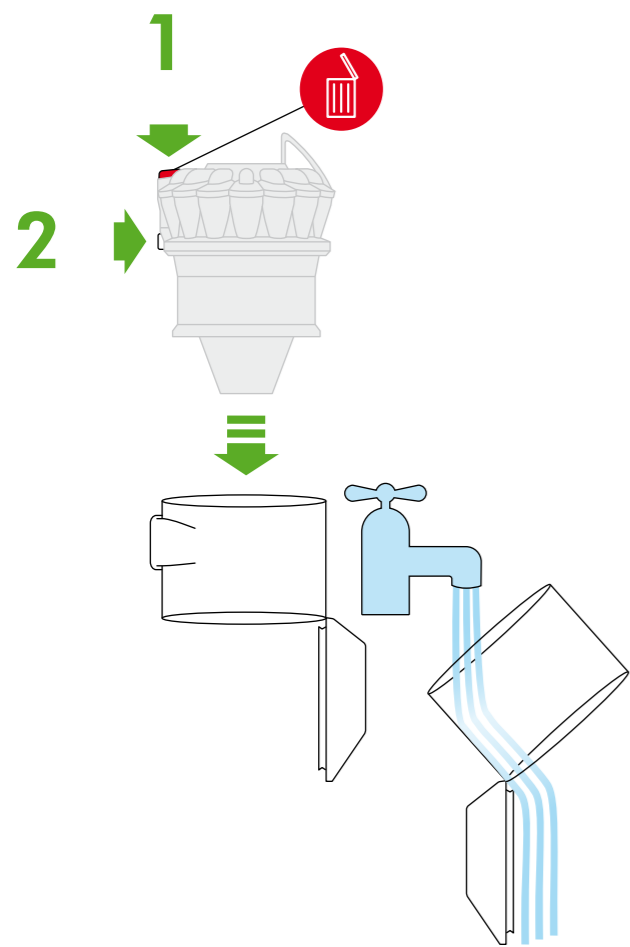
LIRE ET CONSERVER CES INSTRUCTIONS

CET APPAREIL DYSON EST CONÇU POUR UN USAGE DOMESTIQUE SEULEMENT

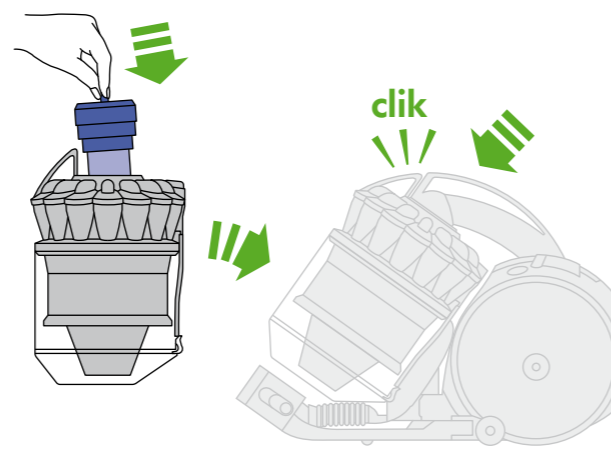
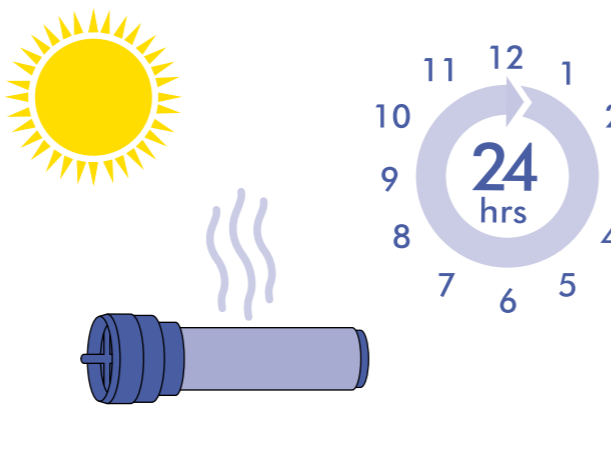
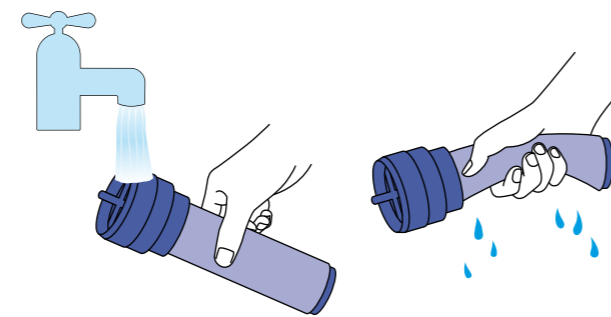
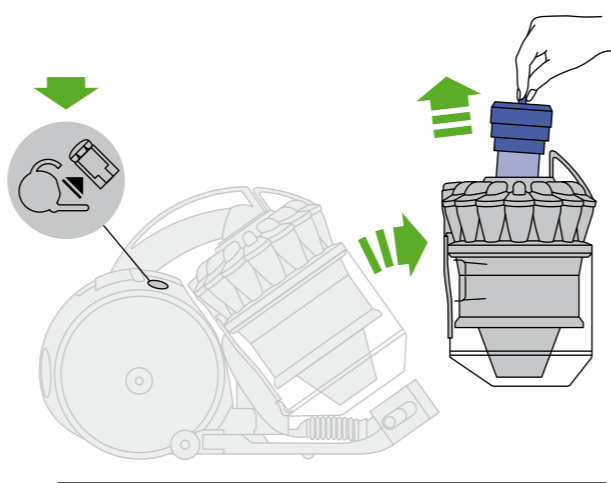
INSTRUCTIONS DE POLARISATION

Afin de réduire les risques de décharge électrique, cet appareil a été muni d'une fiche polarisée (une broche est plus large que l'autre). Cette fiche peut être branchée à une prise polarisée d'une seule façon. Si elle n'entre pas entièrement dans la prise, l'inverser. Si cela ne fonctionne toujours pas, communiquer avec un électricien qualifié afin de faire installer une prise appropriée. Ne pas tenter de déjouer ce dispositif de sécurité et ne pas tenter de déjouer ce dispositif de sécurité.





Wash filter with cold water at least every month.
Laver le filtre à l'eau froide une fois par mois minimum.



USING YOUR DYSON APPLIANCE

PLEASE READ THE 'IMPORTANT SAFETY INSTRUCTIONS' IN THIS DYSON OPERATING MANUAL BEFORE PROCEEDING.

CARRYING THE APPLIANCE

- Carry the appliance by the main handle on the body.
- Do not press the cyclone release button or shake the appliance when carrying, or the cyclone could disengage, fall off and cause injury.

OPERATION

- Always extend the cord fully to the red tape before use.
- Plug the appliance into the mains electricity supply.
- To switch 'ON' or 'OFF' press the power button, located as shown.
- After use: unplug, retract the cord safely, put the appliance away.
- Switch 'OFF' the appliance and unplug before:
 - adjusting the setting
 - changing or using tools
 - removing the hose or airway inspection parts.
- To watch a short online video visit:
www.english.dysoncanada.ca/DC37gettingstarted

BRUSH BAR

- The brush bar will always default to 'ON' (spinning) each time you switch the appliance 'ON'.
- To switch the brush bar 'OFF' (e.g. for hard floors):
 - switch the appliance 'ON'
 - press the brush bar 'ON/OFF' button on the handle – the brush bar will stop spinning.
- The brush bar will automatically stop if it becomes obstructed. See 'Brush bar – clearing obstructions'.
- Before vacuuming your flooring, rugs and carpets, check the manufacturer's recommended cleaning instructions.
- Some carpets may fuzz if a rotating brush bar is used when vacuuming. If this happens, we recommend vacuuming in 'hard floor' mode and consulting with the flooring manufacturer.
- The brush bar on the appliance may damage some carpet types. If you are unsure, turn off the brush bar.

LOOKING AFTER YOUR DYSON APPLIANCE

- Do not carry out any maintenance or repair work other than that shown in this Dyson Operating Manual, or advised by the Dyson Helpline.
- Only use parts recommended by Dyson. If you do not this could invalidate your warranty.
- Store the appliance indoors. Do not use or store it below 0°C. Ensure the appliance is at room temperature before operating.
- Clean the appliance only with a dry cloth. Do not use any lubricants, cleaning agents, polishes or air fresheners on any part of the appliance.
- If used in a garage, always wipe the base plate, ball and stabilizer wheels with a dry cloth after vacuuming to clean off any sand, dirt or pebbles that could damage delicate floors.

VACUUMING



CAUTION:

- Do not use without the clear bin and filter in place.
- Fine dust such as plaster dust or flour should only be vacuumed in very small amounts.
- Do not use the appliance to pick up sharp hard objects, small toys, pins, paper clips, etc. They may damage the appliance.
- When vacuuming, certain carpets may generate small static charges in the clear bin or wand. These are harmless and are not associated with the mains electricity supply. To minimize any effect from this, do not put your hand or insert any object into the clear bin unless you have first emptied it and rinsed it out with cold water (see 'Cleaning the clear bin').
- Do not work with the appliance above you on the stairs.
- Do not put the appliance on chairs, tables, etc.
- Before vacuuming highly polished floors, such as wood or linoleum, first check that the underside of the floor tool and its brushes are free from foreign objects that could cause marking.
- Do not push hard with the floor tool when vacuuming, as this may cause damage.
- Do not leave the cleaner head in one place on delicate floors.
- On waxed floors the movement of the cleaner head may create an uneven lustre. If this happens, wipe with a damp cloth, polish the area with wax, and wait for it to dry.
- Do not use this vacuum cleaner outdoors. The Dyson Car Cleaning Kit (Model 08909) is intended for use only inside a garage.

EMPTYING THE CLEAR BIN

- Switch 'OFF' and unplug before emptying the clear bin.
- Empty as soon as the dirt reaches the level of the MAX mark – do not overfill.
- To remove the cyclone and clear bin unit, push the release button to the side of the carrying handle, as shown.
- To release the dirt, press the red bin release button.
- To minimize dust/allergen contact when emptying, encase the clear bin tightly in a plastic bag and empty.
- Remove the clear bin carefully.
- Seal the bag tightly, dispose as normal.

CLEANING THE CLEAR BIN

- Remove the cyclone and clear bin (instructions above).
- To separate the cyclone unit from the clear bin press the red bin release button to open the clear bin base. This exposes a small silver button behind the red opening mechanism. Press the silver button and separate the cyclone unit from the clear bin.
- Clean the clear bin with cold water only.
- Ensure the clear bin is completely dry before replacing.
- Do not use detergents, polishes or air fresheners to clean the clear bin.
- Do not put clear bin in a dishwasher.
- Do not immerse the whole cyclone unit in water or pour water into it.
- Clean the cyclone shroud with a cloth or dry brush to remove lint and dust.

WASHING YOUR FILTER

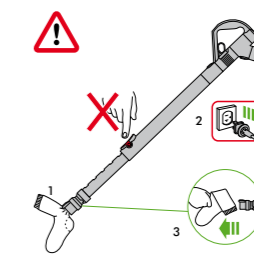
- Your appliance has one washable filter, located as shown.
- Check and wash the filter regularly according to instructions to maintain performance.
- Switch 'OFF' and unplug before checking or removing the filter.
- The filter may require more frequent washing if vacuuming fine dust.
- Wash the filter with cold water only. Do not use detergents. Hold under a tap and run water through the open end for 10 seconds. Turn upside down and tap out 10 times.
- Squeeze and twist with both hands to make sure the excess water is removed.
- Run water over the outside of the filter for 15 seconds.
- Squeeze and twist with both hands to make sure the excess water is removed.
- Place the filter on its side to dry. Leave to dry completely for 24 hours.
- Do not put the filter in a dishwasher, washing machine, tumble dryer, oven, microwave or near an open flame.
- **IMPORTANT:** After washing please leave the filter to dry completely, at least 24 hours, before refitting.
- To watch a short online video visit:
www.english.dysoncanada.ca/DC37filterwash

LOOKING FOR BLOCKAGES

- Switch 'OFF' and unplug before looking for blockages. Failure to do so could result in personal injury.
- Beware of sharp objects when checking for blockages.
- Refit all parts securely before using.
- Clearing blockages is not covered by your warranty.
- To access the flexible inspection hose beneath the clear bin, first remove the clear bin (see above).
- Unscrew the two Phillips screws on the clear bin locator bracket. (Do not remove any other screws.) Remove the bracket.
- Firmly twist the top of the flexible inspection hose away from the inlet next to the ball (do not remove the end next to the connection for the main hose).
- Inspect for blockages.
- Reassemble in reverse order.

CLEARING BLOCKAGES – THERMAL CUT-OUT

- This appliance is fitted with an automatically resetting thermal cut-out.
- Large items may block the tools or wand inlet. If any part becomes blocked the appliance may overheat and automatically cut-out.
- Switch 'OFF' and unplug. Leave to cool down for 1-2 hours before checking the filter for blockages. Do not operate the wand release catch.
- Clear any blockage before restarting.
- Clearing blockages is not covered by your warranty.



BRUSH BAR – CLEARING OBSTRUCTIONS

- If your brush bar is obstructed, it may shut 'OFF'. If this happens you will need to remove the brush bar as shown.
- Switch 'OFF' and unplug before proceeding. Failure to do so could result in personal injury.
- Remove the brush bar by using a coin to turn the fastener marked with a padlock until it clicks.
- Beware of sharp objects when clearing obstructions.
- Replace the brush bar and secure it by tightening the fastener until it clicks. Ensure it is fixed firmly before operating.
- Clearing brush bar obstructions is not covered by your warranty.

BRUSH BAR – TROUBLESHOOTING

If the brush bar has stopped spinning, follow the instructions above on clearing obstructions. Alternatively, contact a Dyson expert on the Dyson Helpline or visit the website.

DYSON CUSTOMER CARE

THANK YOU FOR CHOOSING TO BUY A DYSON APPLIANCE

If you have a question about your Dyson appliance, please call the Dyson Helpline with your serial number and details of where/when you bought the appliance, or contact us via the Dyson website.

Most questions can be solved over the phone or by email with one of our Dyson Helpline staff.

If your Dyson appliance needs service, call the Dyson Helpline so we can discuss the available options. If your appliance is under warranty, and the repair is covered, it will be repaired at no cost.

Your serial number can be found on your rating plate which is on the base of the appliance.

PLEASE REGISTER AS A DYSON APPLIANCE OWNER

To help us ensure you receive prompt and efficient service, please register as a Dyson appliance owner. There are three ways to do this:

- Online at www.dyson.com
- Telephone the Dyson Helpline at 1-877-397-6622.
- Complete the enclosed Warranty Form and mail it to us. This will confirm ownership of your Dyson appliance in the event of an insurance loss, and enable us to contact you if necessary.

5 YEAR WARRANTY

TERMS AND CONDITIONS OF THE DYSON 5 YEAR LIMITED WARRANTY.

WHAT IS COVERED

Your Dyson appliance is warranted against original defects in material and workmanship for a period of 5 years from the date of purchase, when used for private household purposes in accordance with the Dyson Operating Manual. This warranty provides, at no extra cost to you, all labour and parts necessary to place your appliance in proper operating condition during the warranty period. This warranty is subject to the following terms:

WHAT IS NOT COVERED

- Dyson Canada Limited shall not be liable for costs incurred as a result of:
- Appliances purchased from an unauthorized dealer.
- Accidental damage, faults caused by negligent use or care, misuse, neglect, careless operation or handling of the appliance which is not in accordance with the Dyson Operating Manual.
- Use of the appliance other than for normal domestic purposes within the country of purchase, e.g. for commercial or rental purposes.
- Use of parts not in accordance with the Dyson Operating Manual.
- Use of parts and accessories other than those produced or recommended by Dyson Canada Limited.
- External sources such as weather.
- Repairs or alterations carried out by unauthorized parties or agents.
- Blockages – please refer to the Dyson Operating Manual for details of how to look for and clear blockages.
- Normal wear and tear, including normal wearing parts such as belt, filter, brush bar, hose assembly, and power cord (or where external damage or abuse is diagnosed).
- Carpet damage due to use not in accordance with flooring manufacturer's instructions or failure to turn the brush bar off when necessary.

WARRANTY SERVICE

- Please fill out and return the Warranty Form, or register online at www.dyson.com
- Before service can take place, the terms of the warranty require that you contact the Dyson Helpline with your model name/number, serial number, date and place of purchase.
- Please keep your purchase receipt in a safe place to ensure you have this information.
- All work will be carried out by Dyson Canada Limited or their authorized agents.
- Any replaced defective parts will become property of Dyson Canada Limited.
- Service under this warranty will not extend the period of this warranty.
- If your appliance is not functioning properly, please call the Dyson Helpline. Most issues can be rectified over the telephone by our trained Dyson Helpline staff. If this is not possible Dyson Canada Limited will arrange for your appliance to be repaired and returned in full working order at no extra cost to you.

WARRANTY LIMITATION AND EXCLUSIONS

- Any representations, warranties or conditions relating to your appliance, express or implied, statutory or otherwise, including but not limited to warranty of merchantability or warranty of fitness for a particular purpose, are limited to the duration of this warranty. This limitation is not allowed by some Provinces or Territories and so this limitation may not apply to you.
- Your remedy for breach of this warranty is limited to the warranty service described above. Dyson Canada Limited will not be liable for any consequential damages or incidental damages you may incur in connection with your purchase and use of your appliance.
- This warranty gives you specific legal rights. You may also have other rights which vary by Province or Territory.
- This warranty is not transferable.
- This warranty is only available in Canada.

SUMMARY OF COVER

- The warranty becomes effective at the date of purchase (or the date of delivery if this is later).
- You must provide proof of delivery/purchase before any work can be carried out on your appliance. Without this proof, any work carried out will be chargeable.
- Please keep your receipt or delivery note.
- All work will be carried out by Dyson Canada Limited or its authorized agents.
- Any parts which are replaced will become the property of Dyson Canada Limited.
- The repair or replacement of your appliance under warranty will not extend the period of warranty.
- The warranty provides benefits which are additional to and do not affect your statutory rights as a consumer.

IMPORTANT DATA PROTECTION INFORMATION

Your details will be held by Dyson Canada Limited or others on behalf of Dyson Canada Limited so that we can assist you more quickly in our Dyson Helpline. From time to time, Dyson Canada Limited may send you special offers and news of our latest innovations. For more information about our data collection practices, please refer to the Dyson Canada Limited privacy policy at www.dyson.com

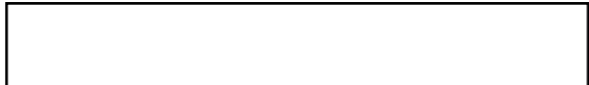
PRODUCT INFORMATION

Please note: Small details may vary from those shown.

DISPOSAL INFORMATION

Dyson products are made from high grade recyclable materials. Please dispose of this product responsibly and recycle where possible.

Note your serial number for future reference.



The serial number can be found on the main body of the appliance behind the clear bin.



This illustration is for example purposes only.

UTILISATION DE VOTRE APPAREIL DYSON

VEUILLEZ LIRE LES « CONSIGNES DE SÉCURITÉ IMPORTANTES » DANS CE GUIDE D'UTILISATION DYSON AVANT DE POURSUIVRE.

TRANSPORT DE L'APPAREIL

- Se servir de la poignée principale située sur le corps de l'appareil pour le transporter.
- Ne pas appuyer sur le bouton de dégagement du cyclone durant le transport de l'appareil et ne pas secouer ce dernier; il pourrait se détacher, tomber et causer des blessures.

FONCTIONNEMENT

- Toujours dérouler le cordon complètement jusqu'au trait rouge avant d'utiliser l'appareil.
- Brancher l'appareil sur l'alimentation électrique principale.
- Pour mettre l'appareil « SOUS TENSION » ou « HORS TENSION », appuyer sur le bouton de mise en marche situé à l'endroit indiqué sur l'illustration.
- Après l'utilisation, débrancher l'appareil, laisser le cordon se rétracter avec précaution et ranger l'appareil.
- Mettre l'appareil « HORS TENSION » et le débrancher avant :
 - d'effectuer les réglages;
 - de changer ou d'utiliser les accessoires;
 - d'enlever le tuyau ou d'inspecter les prises d'air.
- Pour regarder une courte vidéo en ligne, veuillez visiter le site Dyson à l'adresse : www.francais.dysoncanada.ca/DC37gettingstarted

BROSSE À MOTEUR

- La brosse se met automatiquement en marche (elle tourne) chaque fois que l'appareil est mis « SOUS TENSION » .
- Pour désactiver la brosse (par exemple, pour les planches durs) :
 - mettre l'appareil « SOUS TENSION »;
 - appuyer sur l'interrupteur de la brosse situé sur la poignée. Celle-ci se désactive.
- La brosse arrêtera automatiquement de fonctionner si elle est obstruée. Voir « Brosse – élimination des obstructions ».
- Avant de nettoyer les planchers, tapis et moquettes, vérifier les recommandations de nettoyage du fabricant.
- Des peluches peuvent se former sur certaines moquettes si une brosse rotative est utilisée. Si c'est le cas, il est recommandé d'utiliser le mode « planchers durs » et de consulter le fabricant du revêtement de plancher.
- Il se peut que la brosse de l'appareil endommage certaines moquettes. En cas de doute, mettre la brosse hors tension.

SOINS À APPORTER À L'APPAREIL

- Ne pas effectuer d'autres réparations et entretien que ceux recommandés dans ce guide d'utilisation Dyson ou par le Service d'assistance téléphonique Dyson.
- Utiliser seulement des pièces recommandées par Dyson. Ne pas suivre cette recommandation pourrait rendre votre garantie non valide.
- Ranger l'appareil à l'intérieur. Ne pas utiliser ni entreposer à moins de 0 °C.
- S'assurer que l'appareil est à la température ambiante avant utilisation.
- Nettoyer l'appareil avec un chiffon sec. Ne pas utiliser de lubrifiant, de décapant, de produit à polir ou de désodorisant sur l'appareil.
- Si l'appareil est utilisé dans un garage, toujours essuyer le socle, le ballon et les roues du stabilisateur avec un chiffon sec. Cela permettra d'enlever toute trace de sable, saleté ou caillou qui pourrait endommager les planchers délicats.

PRÉCAUTIONS POUR PASSER L'APPAREIL



ATTENTION :

- Ne pas utiliser l'appareil lorsque le collecteur transparent et le filtre ne sont pas en place.
- Les fines particules de poussière comme le plâtre ou la farine ne doivent être aspirées qu'en très petites quantités.
- Ne pas utiliser l'appareil pour ramasser des objets durs et pointus, des petits jouets, des épingles, des trombones, etc. Ils pourraient endommager l'appareil.
- Durant le passage de l'appareil, certains tapis pourraient générer de petites charges électrostatiques dans le collecteur transparent ou le tube-rallonge. Ces charges sont complètement inoffensives et ne sont pas liées à l'alimentation électrique. Pour en réduire au minimum les effets, ne pas placer les mains ni insérer d'objet dans le collecteur transparent avant de l'avoir complètement vidé et rincé à l'eau froide (se reporter à la section « Nettoyage du collecteur transparent »).
- Ne pas placer l'appareil sur une marche située plus haute que vous.
- Ne pas placer l'appareil sur une chaise, une table, etc.
- Avant de passer l'appareil sur des planchers de bois cirés ou en linoléum, s'assurer que le dessous de l'accessoire pour plancher et ses brosses sont exempts d'objets susceptibles de laisser des marques.
- Ne pas laisser la tête de l'aspirateur au même endroit sur les planchers délicats.
- Ne pas utiliser l'accessoire pour planchers avec trop de force afin de ne pas les endommager.
- Sur les planchers cirés, le mouvement de la tête de l'aspirateur peut occasionner un lustre inégal. Si cela se produit, essuyer l'endroit avec un linge humide, appliquer de la cire et laisser sécher.
- Ne pas utiliser cet appareil à l'extérieur. L'ensemble de nettoyage pour voiture de Dyson (Modèle 08909) est conçu pour être utilisé uniquement dans un garage.

VIDAGE DU COLLECTEUR TRANSPARENT

- Mettre l'appareil hors tension et le débrancher avant de vider le collecteur transparent.
- Vider le collecteur dès que le niveau MAX est atteint – ne pas dépasser ce niveau.
- Pour retirer le cyclone et le collecteur transparent, appuyer sur le bouton de dégagement situé sur le côté de la poignée de transport, tel qu'illustré.
- Pour évacuer la poussière, appuyer sur le bouton de dégagement rouge du collecteur.
- Pour réduire le contact avec la poussière et les allergènes, recouvrir le collecteur transparent d'un sac plastique et le vider.
- Retirer le collecteur transparent avec soin.
- Fermer hermétiquement le sac et le mettre au rebus, selon la procédure normale.

NETTOYAGE DU COLLECTEUR TRANSPARENT

- Retirer le cyclone et le collecteur transparent (instructions ci-dessus).
- Pour séparer le cyclone du collecteur, appuyer sur le bouton rouge pour ouvrir la base du collecteur. Cela expose un petit bouton argenté situé sous le mécanisme d'ouverture rouge. Appuyer sur le bouton argenté et séparer le cyclone du collecteur transparent.
- Laver le collecteur transparent uniquement à l'eau froide.
- S'assurer que le collecteur transparent est entièrement sec avant de le remettre en place.
- Ne pas utiliser de détergent, de cire ni de désodorisant pour laver le collecteur transparent.
- Ne pas mettre le collecteur transparent dans le lave-vaisselle.
- Ne pas plonger l'ensemble de cyclones dans l'eau et ne pas verser d'eau dans les éléments le constituant.
- Nettoyer l'enveloppe à l'aide d'un linge sec ou d'une brosse pour enlever les peluches et la poussière.

LAVAGE DU FILTRE

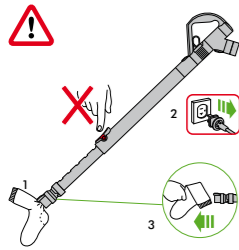
- Cet appareil est muni d'un filtre, à l'emplacement indiqué dans l'illustration.
- Vérifier et nettoyer le filtre régulièrement en suivant les instructions d'entretien.
- Mettre l'appareil hors tension et le débrancher avant de laver le filtre.
- Le filtre peut nécessiter un lavage plus fréquent si on se sert de l'appareil pour aspirer des poussières fines.
- Laver uniquement à l'eau froide. Ne pas utiliser de détergent.
- Tenir le filtre sous le robinet, faire couler l'eau par l'extrémité ouverte et le rincer pendant 10 secondes. Le retourner et le secouer environ 10 fois.
- Le comprimer et le tourner avec les deux mains pour éliminer tout reste d'eau.
- Rincer la partie extérieure du filtre pendant 15 secondes.
- Le comprimer et le tourner avec les deux mains pour éliminer tout reste d'eau.
- Déposer le filtre sur le côté pour le sécher. Le laisser sécher complètement pendant 24 heures.
- Ne pas mettre le filtre dans le lave-vaisselle, la machine à laver le linge, la sècheuse, le four, le four à micro-ondes ni le placer près d'une flamme vive.
- **IMPORTANT** : Après le lavage du filtre, le laisser sécher complètement, au moins pendant 24 heures, avant de le remettre en place.
- Pour regarder une courte vidéo en ligne, veuillez consulter le site Dyson à l'adresse : www.francais.dysoncanada.ca/DC37filterwash

VÉRIFICATION DE LA PRÉSENCE D'OBSTRUCTIONS

- Mettre l'appareil sous tension et le débrancher avant de vérifier la présence d'obstructions. Si cela n'est pas fait, il peut en résulter des blessures.
- Faire attention aux objets pointus au moment de l'élimination des obstructions.
- Remettre en place toutes les parties de l'appareil avant de l'utiliser.
- L'élimination des obstructions n'est pas couverte par la garantie limitée de l'appareil.
- Pour accéder au tuyau souple d'inspection situé en-dessous du collecteur transparent, il faut d'abord retirer le collecteur (se reporter à la section ci-dessus).
- Retirer les deux vis cruciformes qui retiennent le support (ne pas retirer d'autres vis). Retirer le support.
- Retirer en le tournant fermement le haut du tuyau souple d'inspection et le détacher de la prise située à côté du ballon (ne pas retirer l'extrémité du côté du raccord du tuyau principal).
- Vérifier la présence d'obstructions.
- Réassembler en sens inverse.

ÉLIMINATION DES OBSTRUCTIONS – PROTECTEUR THERMIQUE

- Cet appareil est doté d'un protecteur thermique à réenclenchement automatique.
- Des objets de taille importante peuvent bloquer l'intérieur des accessoires ou du tube-rallonge. L'obstruction d'une pièce peut faire surchauffer l'appareil et le faire disjoncter automatiquement.
- Mettre l'appareil hors tension et le débrancher. Le laisser refroidir pendant 1 à 2 heures avant de vérifier le filtre et la présence d'obstructions. Ne pas utiliser le bouton de dégagement du tube-rallonge.
- Éliminer toute obstruction avant de remettre l'appareil en marche.
- L'élimination des obstructions n'est pas couverte par la garantie limitée de l'appareil.



BROSSE – ÉLIMINATION DES OBSTRUCTIONS

- S'il y a des obstructions sur la brosse, elle peut s'arrêter. Dans un tel cas, retirer la brosse, tel qu'indiqué sur l'illustration.
- Mettre l'appareil hors tension et le débrancher avant d'éliminer les obstructions sur la brosse. Si cela n'est pas fait, il peut en résulter des blessures.
- Retirer la brosse à l'aide d'une pièce de monnaie pour desserrer la vis marquée d'une clé jusqu'à ce qu'un clic se fasse entendre.
- Prendre garde aux objets pointus en éliminant les obstructions.
- Remettre en place la brosse et la fixer fermement en resserrant la vis jusqu'à ce qu'un clic se fasse entendre.
- L'élimination des obstructions sur la brosse n'est pas couverte par la garantie limitée de l'appareil.

BROSSE – DÉPANNAGE

Si la brosse ne tourne plus, suivre les instructions d'élimination des obstructions. Sinon, communiquer avec un expert Dyson, consulter le site internet ou appeler le service d'assistance téléphonique Dyson.

ASSISTANCE À LA CLIENTÈLE DYSON

MERCI D'AVOIR CHOISI D'ACHETER UN APPAREIL DYSON

Si vous avez des questions sur votre appareil Dyson, communiquez avec le service d'assistance téléphonique de Dyson. Ayez en main votre numéro de série et les détails relatifs à l'achat de l'appareil ou communiquez avec nous par l'entremise du site Web de Dyson.

La plupart des problèmes peuvent être réglés au téléphone ou par courriel avec l'aide d'un de nos représentants au service d'assistance téléphonique.

Si votre appareil Dyson nécessite une réparation, composez le numéro de la ligne d'assistance téléphonique de Dyson. Nous vous présenterons les choix qui s'offrent à vous. Si l'appareil est sous garantie et que la réparation est couverte par cette dernière, votre appareil sera réparé sans frais.

Le numéro de série se trouve sur la plaque signalétique située à la base de l'appareil.

VEUILLEZ VOUS ENREGISTRER EN TANT QUE PROPRIÉTAIRE D'UN APPAREIL DYSON

Afin de nous aider à vous offrir un service rapide et efficace, veuillez prendre le temps d'enregistrer votre achat auprès de nous. Vous pouvez le faire de trois façons:

- En ligne à l'adresse www.dyson.com
- Par téléphone en appelant la ligne d'assistance Dyson au 1-877-397-6622.
- Par la poste en remplissant le formulaire de garantie ci-joint et en nous l'envoyant.

Ceci vous permet de confirmer que vous êtes le propriétaire de votre appareil en cas de sinistre et nous permet de communiquer avec vous au besoin.

GARANTIE LIMITÉE DE CINQ ANS

CONDITIONS DE LA GARANTIE LIMITÉE DYSON DE CINQ ANS.

CE QUI EST COUVERT

Votre appareil Dyson est garanti contre tout défaut de matériau et de main-d'œuvre pendant une période de cinq ans à compter de la date d'achat, en usage domestique normal, conformément au guide d'utilisation Dyson. Cette garantie vous offre, sans frais, les pièces et la main-d'œuvre nécessaires au bon fonctionnement de l'appareil durant la période de garantie. La présente garantie limitée est soumise aux conditions suivantes :

CE QUI N'EST PAS COUVERT

- Dyson Canada Limited ne saurait être tenue responsable des frais découlant :
- d'un appareil acheté auprès d'un détaillant non autorisé;
- d'une utilisation ou manipulation négligente, d'une mauvaise utilisation, d'un manque d'entretien ou d'un emploi non conforme au guide d'utilisation;
- d'une utilisation de l'appareil à des fins autres qu'un usage domestique normal, c'est-à-dire à des fins commerciales ou de location;
- de l'utilisation de pièces non recommandées par le guide d'utilisation;
- d'une utilisation de pièces et d'accessoires autres que ceux fournis ou recommandés par Dyson Canada Limited;
- de facteurs externes, comme les intempéries;
- de réparations ou modifications effectuées par des parties ou représentants non autorisés;
- des obstructions. Ce reporter au guide d'utilisation Dyson pour plus de détails sur la détection et l'élimination d'obstructions;
- de l'usure normale, y compris l'usure normale des pièces telles que la courroie, le filtre, la brosse, le tuyau souple et le cordon d'alimentation (ou si l'on constate des dommages externes);
- des dommages aux tapis causés par le non-respect des instructions du fabricant du revêtement de plancher ou l'omission de désactiver la brosse au besoin.

RÉPARATIONS SOUS GARANTIE

- Veuillez remplir et retourner le formulaire de garantie ou enregistrer votre produit en ligne à l'adresse www.dyson.com
- Les conditions de la garantie stipulent que vous devez, avant que soit faite la réparation, composer le numéro du service d'assistance téléphonique de Dyson en ayant en main le nom ou le numéro de modèle de votre appareil, le numéro de série, la date et l'endroit où vous avez effectué l'achat.
- Veuillez conserver le coupon de caisse dans un endroit sûr afin de ne pas perdre ces renseignements.
- Toutes les réparations seront effectuées par Dyson Canada Limited ou un de ses représentants autorisés.
- Toute pièce défectueuse remplacée devient la propriété de Dyson Canada Limited.
- Les réparations effectuées sous garantie ne se prolongeront pas au-delà de la période de la présente garantie.
- Si votre appareil ne fonctionne pas correctement, communiquez avec le service d'assistance téléphonique de Dyson. La plupart des problèmes peuvent être réglés au téléphone avec l'aide d'un membre du personnel qualifié du service d'assistance téléphonique de Dyson. Si ce n'est pas possible, Dyson Canada Limited prendra les mesures nécessaires pour que votre appareil soit réparé et retourné en parfait état de marche sans aucuns frais supplémentaires.

RESTRICTIONS ET EXCLUSIONS DE GARANTIE

- Toute déclaration, garantie ou condition relative à votre appareil, implicite ou explicite, en vertu d'une loi ou de tout autre règlement, incluant, sans s'y limiter, la garantie de la qualité marchande ou de convenance à un usage particulier, est limitée à la durée de la présente garantie. Cette limitation n'est pas permise dans certaines provinces et pourrait ne pas s'appliquer à vous.
- Le recours dont vous disposez eu égard à la violation de la présente garantie est limité aux stipulations décrites ci-dessus. Dyson Canada Limited décline toute responsabilité pour tout dommage consécutif ou accessoire subi lié à l'achat de l'appareil ou de son utilisation.
- La présente garantie vous confère des droits légaux particuliers. Vous pouvez aussi avoir d'autres droits selon la province dans laquelle vous résidez.
- Cette garantie est inaccessibles.
- La présente garantie est valide uniquement au Canada.

RÉSUMÉ DE LA GARANTIE

- La garantie entre en vigueur à la date d'achat (ou à la date de livraison, si cette dernière est ultérieure).
- Vous devez fournir une preuve d'achat ou de livraison pour toute réparation effectuée sur votre appareil. Sans présentation de cette preuve, toute réparation effectuée vous sera facturée.
- Veuillez conserver votre reçu ou bon de livraison.
- Toutes les réparations seront effectuées par Dyson Canada Limited ou un de ses représentants autorisés.
- Toute pièce défectueuse remplacée devient la propriété de Dyson Canada Limited.
- La réparation ou le remplacement de votre appareil pendant la période de garantie n'allonge pas la période de ladite garantie.
- La présente garantie offre des avantages supplémentaires et n'a aucune incidence sur vos droits prévus par la loi à titre de consommateur.

RENSEIGNEMENTS IMPORTANTS SUR LA PROTECTION DES DONNÉES

Vos renseignements personnels seront conservés par Dyson Canada Limited ou d'autres sociétés au nom de Dyson Canada Limited afin que nous puissions vous aider plus rapidement dans le cadre de notre service d'assistance téléphonique. De temps à autre, Dyson Canada Limited peut vous envoyer des offres spéciales et des nouvelles au sujet de ses plus récentes innovations. Pour obtenir plus d'information sur nos pratiques relatives à la collecte de données, veuillez consulter la politique de confidentialité de Dyson Canada Limited à l'adresse www.dyson.com

RENSEIGNEMENTS SUR LE PRODUIT

Veillez noter : Certains petits détails peuvent varier de ceux illustrés.

INFORMATION RELATIVE À L'ÉLIMINATION DU PRODUIT

Les produits Dyson sont fabriqués à partir de matériaux hautement recyclables. Veuillez procéder à la mise au rebut de ce produit de manière responsable et le recycler dans la mesure du possible.

Veillez noter votre numéro de série pour pouvoir vous y référer ultérieurement.



Le numéro de série se trouve sur le corps principal de l'appareil, derrière le collecteur transparent.



Cette illustration est présentée à titre d'exemple.

IMPORTANT!

WASH FILTER

Wash filter with cold water at least every month.



IMPORTANT!

LAVER LE FILTRE

Laver le filtre à l'eau froide une fois par mois minimum.



Dyson Customer Care

If you have a question about your Dyson appliance, call the Dyson Helpline with your serial number and details of where and when you bought the appliance.

Assistance à la clientèle Dyson

Si vous avez des questions sur votre appareil Dyson, communiquez avec le service d'assistance téléphonique de Dyson. Ayez en main votre numéro de série et les détails relatifs à l'achat de l'appareil ou communiquez avec nous par l'entremise du site Web de Dyson.

DYSON CONTACT DETAILS

Website: www.dyson.com
Dyson Helpline: 1-877-397-6622.
Monday – Friday 8am – 7pm (EST).
Saturday 9am – 5pm (EST).
Closed Sundays and civic holidays.

Ligne d'assistance Dyson : 1-877-397-6622
Du lundi au vendredi – de 8 h à 19 h (HNE).
Le samedi – de 9 h à 17 h (HNE).
Fermé les dimanches et pendant les congés officiels.



Please take a few moments to answer our questions. They will help us develop new products for the future.

Veuillez prendre quelques instants pour répondre à nos questions. Vos réponses nous aideront à mettre au point de nouveaux produits.

1. The machine you most recently registered on the Dyson website was:
 - Your first Dyson purchase
 - A further Dyson purchase – you have previously owned other Dyson machines
2. Have you ever recommended Dyson to other people?
 - Yes, at least once
 - Never
3. Do you have any cats or dogs in your home?
 - Yes
 - No
4. The floors in your home are:
 - Mostly carpeted
 - Mostly hard floors
5. Do you have air conditioning in your home?
 - Yes
 - No
6. Would you like to hear about future asthma and allergy related initiatives or product development at Dyson?
 - Yes
 - No

1. Le produit que vous avez dernièrement enregistré sur le site Web de Dyson, s'agit-il :
 - du premier produit Dyson que vous avez acheté
 - d'un autre produit Dyson que vous avez acheté – vous avez possédé récemment d'autres aspirateurs Dyson
2. Avez-vous recommandé des produits Dyson à d'autres personnes?
 - Oui, au moins une fois
 - Jamais
3. Avez-vous des chats ou des chiens dans votre foyer?
 - Oui
 - Non
4. Les planchers dans votre foyer sont :
 - essentiellement des planchers tapissés
 - essentiellement des planchers durs
5. Votre foyer est-il climatisé?
 - Oui
 - Non
6. Désirez-vous obtenir de l'information au sujet des initiatives en matière d'asthme et d'allergies ainsi que du développement de produits chez Dyson?
 - Oui
 - Non



Date of purchase | Date d'achat / /

Place of purchase | Lieu d'achat

Serial number | Numéro de série

Title | Titre

Surname | Nom

First name | Prénom

Address | Adresse

Postal Code | Code postal

email | Courriel

Telephone | Téléphone

<p><input type="checkbox"/></p> <p>From time to time, we'd like to tell you about new Dyson technology and services. If you'd prefer us NOT to keep in touch, please tick this box.</p> <p>De temps à autre, nous voudrions vous informer au sujet des nouvelles technologies et des nouveaux services de Dyson ou obtenir votre opinion sur votre achat. Si vous préférez que l'on ne communique PAS avec vous, veuillez cocher cette case.</p>	<p>You must provide proof of delivery/purchase before any work can be carried out on your appliance. Without this proof, any work carried out will be chargeable.</p> <p>Please keep your receipt or delivery note.</p> <p>Vous devez fournir une preuve d'achat ou de livraison pour toute réparation effectuée sur votre appareil. Sans présentation de cette preuve, toute réparation effectuée vous sera facturée. Veuillez conserver votre reçu ou bon de livraison.</p>
--	--

3 EASY WAYS TO REGISTER | 3 FAÇONS DE S'ENREGISTRER FACILEMENT

ONLINE
 Convenient and instant.
www.dyson.com

EN LIGNE
 Pratique et instantané.
www.dyson.com

PHONE
 Dyson Helpline:
1-877-397-6622.
 Monday – Friday 8am – 7pm (EST).
 Saturday 9am – 5pm (EST).
 Closed Sundays and civic holidays.

PAR TÉLÉPHONE
 Ligne d'assistance Dyson :
1-877-397-6622 Du lundi au vendredi
 – de 8 h à 19 h (HNE). Le samedi –
 de 9 h à 17 h (HNE). Fermé les dimanches
 et pendant les congés officiels.

MAIL
 Complete and return
 the form in the envelope
 supplied.

PAR COURRIER
 Remplir le formulaire fourni et le
 retourner dans l'enveloppe jointe
 à cet effet.

